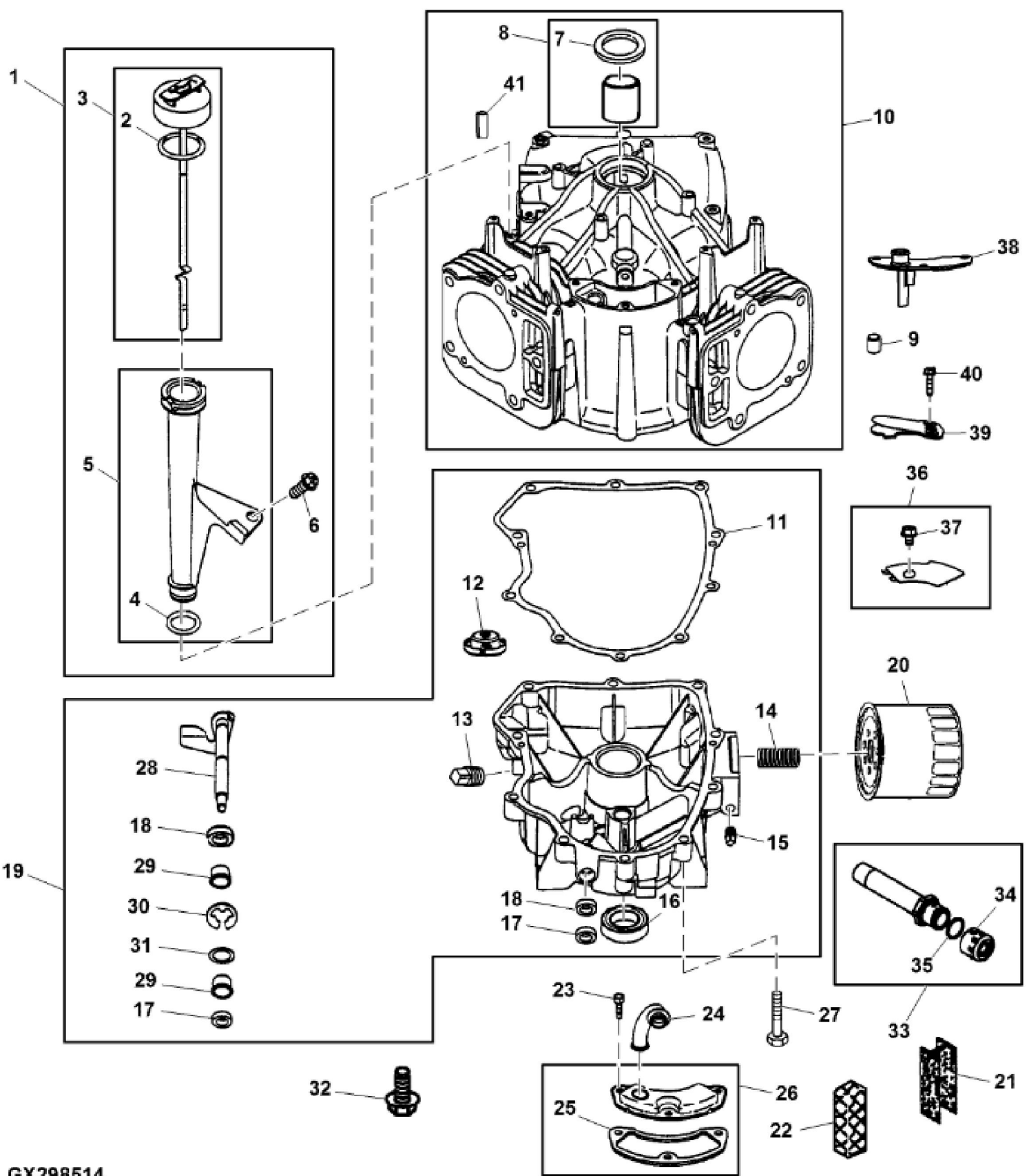


PU05786

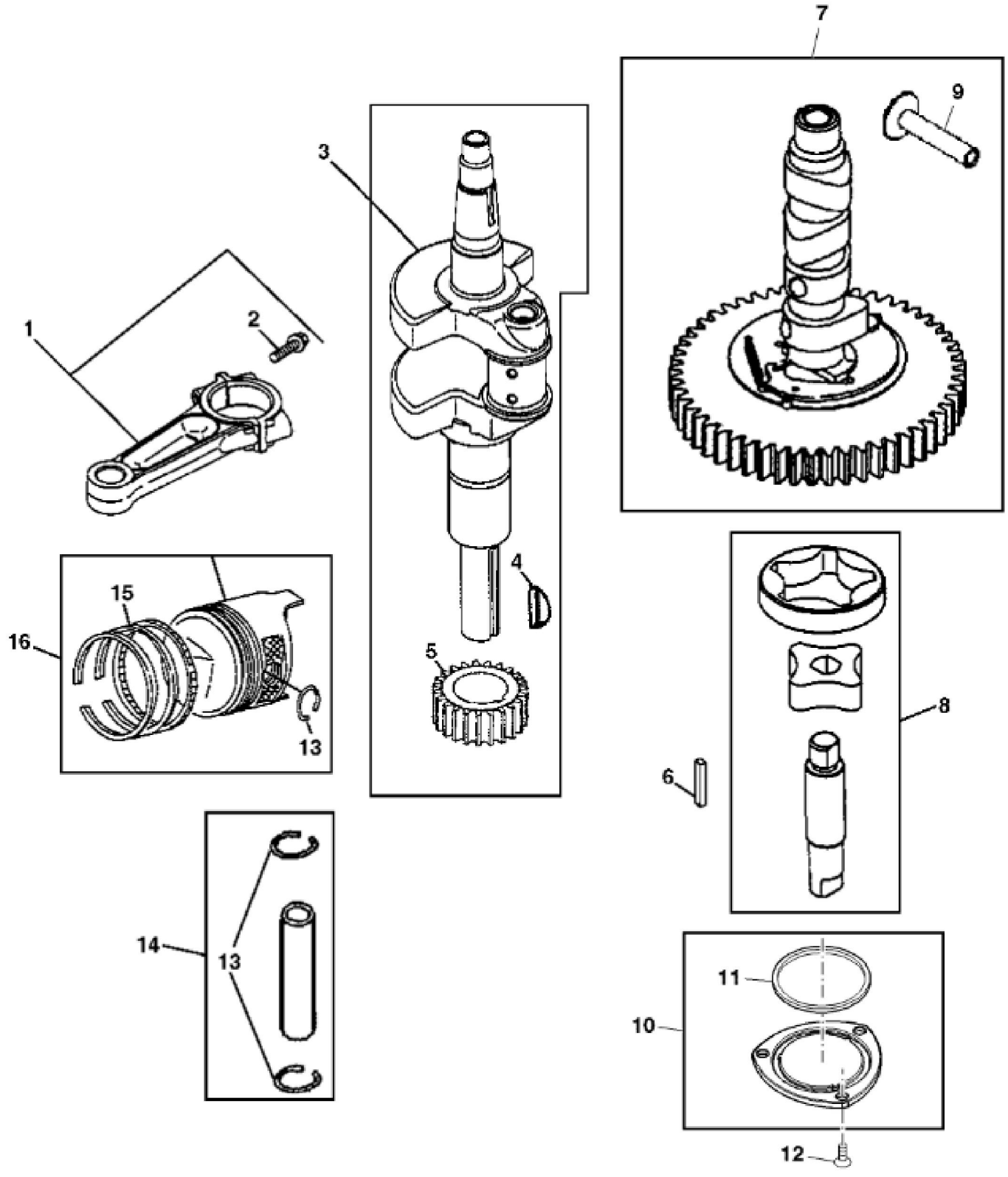
KEY	PART NO.	PART NAME	QTY	Serial No.	REMARKS	
1	MIA12622	GASOLINE ENGINE	1		MARKED 40R877-0008-G1; ORDER MIA12860	
1	MIA12860	GASOLINE ENGINE	1	____-700000	MARKED 40N877-0002-G1; ORDER MIA13107	
1	MIA13107	GASOLINE ENGINE	1	700001-810000	MARKED 40N877-0017-G1; ORDER AUC10159	
1	AUC10159	GASOLINE ENGINE	1	810001-____	MARKED 40N877-0034-G1	



GX298514

KEY	PART NO.	PART NAME	QTY	Serial No.	REMARKS
1	UC11104	DIPSTICK	1		SUB FOR LG499602; Tube Assembly
2	LG691031	O-RING	1		
3	LG691036	DIPSTICK	1		
4	LG691032	SEAL	1		
5	LG691037	OIL TUBE	1		
6	M153266	SCREW	1		
7	LG391086S	SEAL	1		
8	MIA11778	SEAL KIT	1		
9	LG690959	DOWEL PIN	6		
10	MIA13087	CYLINDER BLOCK	1		USE WITH MIA12860 OR MIA12622; SUB FOR APPL MIA12493
10	MIA13208	CYLINDER	1		USE WITH MIA13107 OR AUC10159
11	MIU14436	GASKET	1	____-700000	SUB FOR MIU13979; Crankcase
11	GASKET	1	700001-____	MF PM37469; Crankcase
12	MIU12140	SCREEN	1		
13	15H623	PIPE PLUG	1		3/8"
14	LG690954	THREADED NIPPLE	1		
15	15H638	PIPE PLUG	1		1/8"
16	MIU11958	SEAL	1		
17	MIU11284	SEAL	2		Governor Shaft
18	MIU12503	BUSHING	2		Governor Crank
19	MIA11584	RESERVOIR	1	____-700000	ALSO INCLUDES MIU12143; MIA11464; LG692125 AND (3) MIU12142; USE WITH MIA12860 OR MIA12622
19	MIA13209	RESERVOIR	1	700001-____	USE WITH MIA13107 OR AUC10159
20	AM125424	OIL FILTER	1		
21	LG690957	RETAINER	1		USE WITH MIA12860 OR MIA12622
22	MIU11502	BREATHER	1		USE WITH MIA12860 OR MIA12622
23	LG691108	SCREW	3		
24	MIU14443	TUBE	1		SUB FOR MIU11280
25	LG690937	GASKET	1		Breather
26	MIA10872	BREATHER	1	____-600000	
27	M142896	SCREW	10		
28	LG691045	CRANK	1		Governor
29	M142282	BUSHING	2		
30	M142286	RETAINER	2		

KEY	PART NO.	PART NAME	QTY	Serial No.	REMARKS
31	M142280	WASHER	1		
32	GX24210	SCREW	4		Engine Mounting
33	AM131611	DRAIN PLUG	1		
34	M144897	CAP	1		
35	T77932	O-RING	1		
36	MIA13077	PLATE	1		USE WITH MIA13107 OR AUC10159
37	MIU14464	SCREW	1		USE WITH MIA13107 OR AUC10159
38	MIU14444	COVER	1		USE WITH MIA13107 OR AUC10159
39	MIU14445	VALVE	1		USE WITH MIA13107 OR AUC10159
40	MIU14448	SCREW	1		USE WITH MIA13107 OR AUC10159
41	UC12131	PIN	1	810001-_____	
42	LG692125	CAP SCREW	1		(Not Illustrated)



Thank you so much for reading.
Please click the “Buy Now!”
button below to download the
complete manual.



After you pay.

You can download the most
perfect and complete manual in
the world immediately.

Our support email:

ebooklibonline@outlook.com