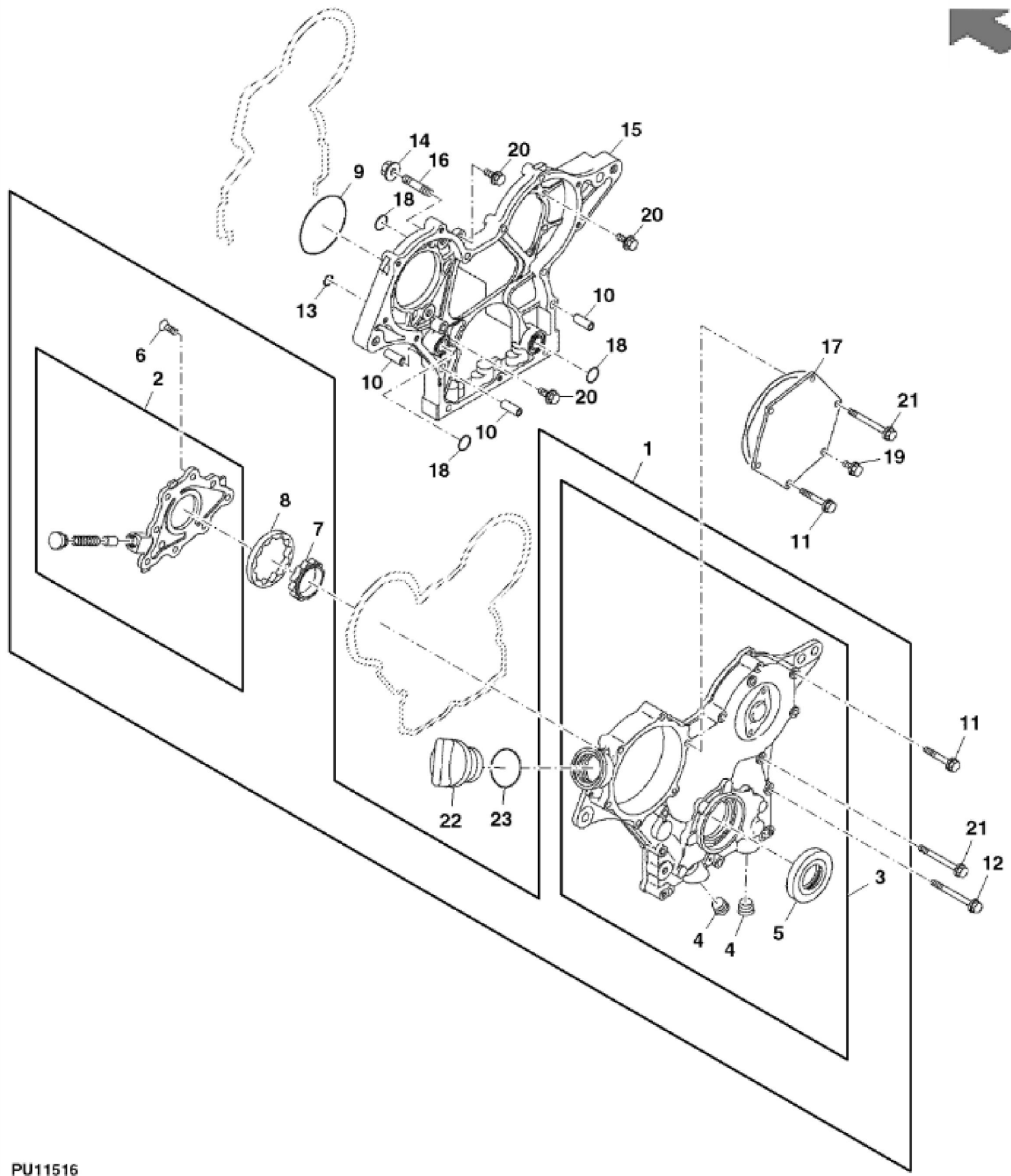
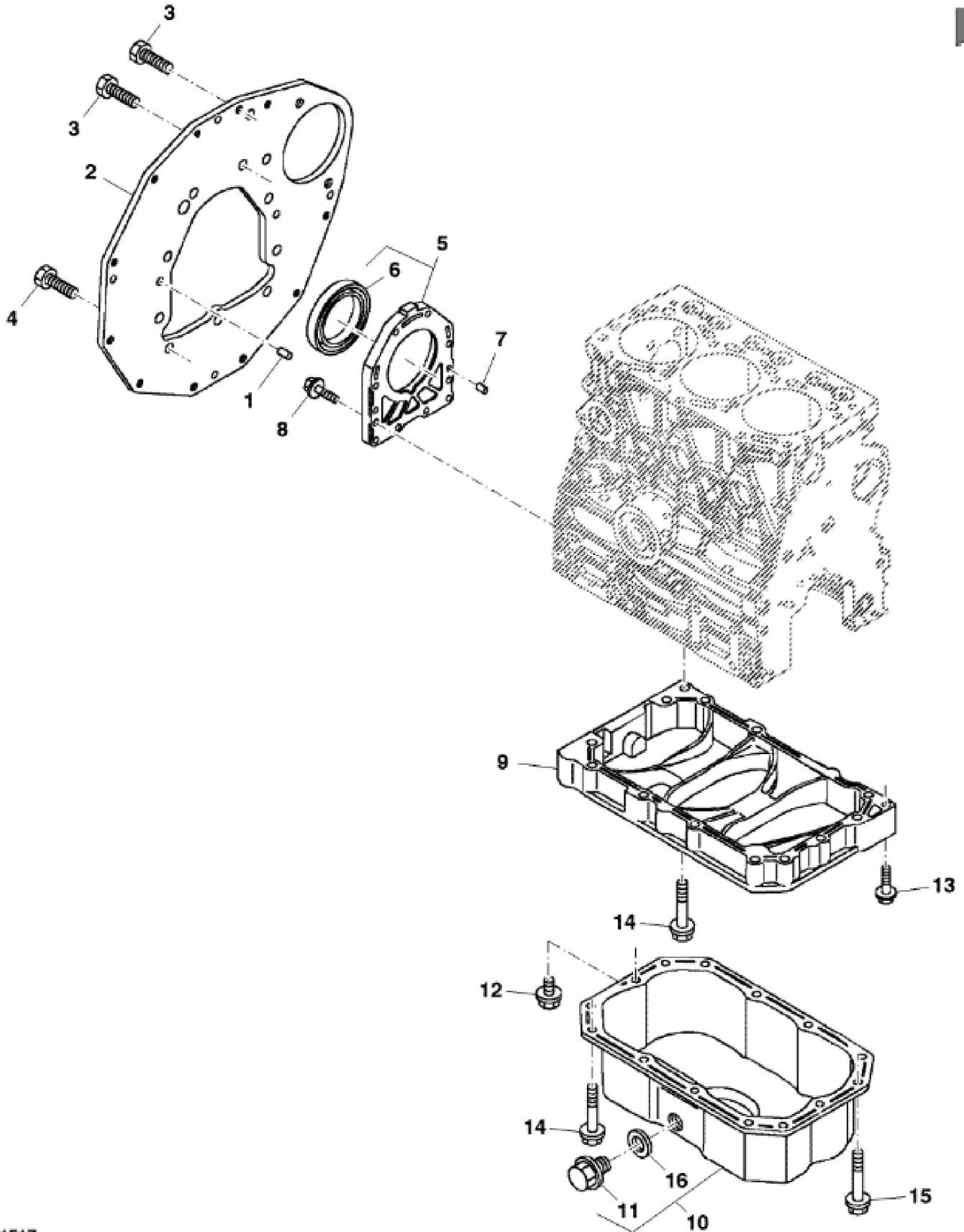


KEY	PART NO.	PART NAME	QTY	REMARKS
1	M811805	PLUG	4	
2	M809593	PLUG	1	
3	M811807	PLUG	3	
4	M87879	BOLT	8	Main Bearing Cap
5	AM882418	BEARING	4	
5	MIA880551	BEARING	4	
6	MIU800572	CAMSHAFT	1	Camshaft
7	CH10314	PLUG	1	
8	M800970	BOLT	14	Cylinder Head
9	MIA882331	GASKET KIT	1	
10	CH10335	PLUG	1	
11	M87801	PLUG	1	
12	AM882419	THRUST BEARING	2	
12	MIA880557	BEARING	2	
14	MIA884539	SHORT BLOCK ASSEMBLY	1	(Not Illustrated) MARKED B-3TNNV80F-J1



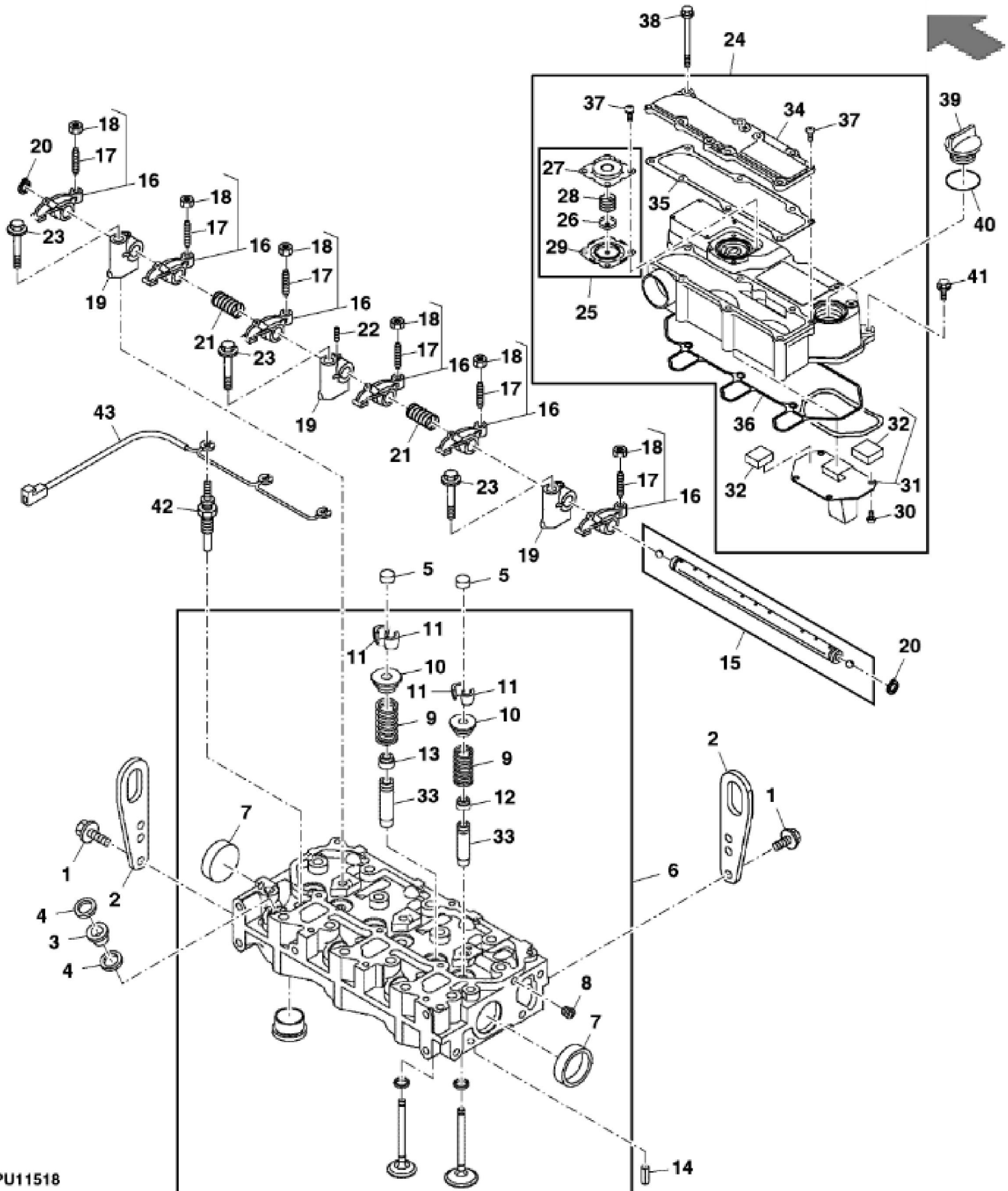
KEY	PART NO.	PART NAME	QTY	REMARKS
1	AM882445	COVER	1	Gear Case
2	AM882435	COVER	1	Oil Pump
3	AM882469	COVER	1	Gear Case
4	M806938	PLUG	2	
5	M811563	SEAL	1	Oil
6	M811061	SCREW	8	
7	M811888	ROTOR	1	Inner
8	M811889	ROTOR	1	Outer
9	CH16940	O-RING	1	
10	M800006	DOWEL PIN	4	
11	19M7797	SCREW	7	M6 X 40
12	M800065	BOLT	2	M6 X 65
13	M809204	O-RING	1	
14	14M7298	FLANGE NUT	3	M8
15	M811816	GEAR CASE	1	
16	M811820	STUD	3	
17	M811823	COVER	1	Pump Timing
18	M811885	O-RING	3	
19	19M7774	SCREW	1	M6 X 12
20	19M7775	SCREW	4	M6 X 16
21	M89120	BOLT	7	M6 X 60
22	M805710	CAP	1	Oil Fill
23	M805711	PACKING	1	



PU11517

John Deere > Turf And Utility > MOWER, FAIRWAY > 1550 - MOWER, FAIRWAY > 1550 TerrainCut Front Mower (with 60, 62 or 72-inch Deck) > 20 ENGINE TCM12745 > ST785573 - MOUNTING FLANGE AND OIL SUMP

KEY	PART NO.	PART NAME	QTY	REMARKS
1	M802255	PIN	2	
2	MIU800256	FLANGE	1	Mounting
3	M800011	BOLT	8	
4	M800077	BOLT	3	
5	AM882411	CASE	1	Oil Seal Assembly
6	M801941	SEAL	1	
7	M802254	PIN	2	
8	M87826	BOLT	10	
9	M811822	SPACER	1	Oil Sump
10	MIA880257	RESERVOIR	1	
11	T111565	PLUG	1	Drain
12	19M7864	SCREW	1	M8 X 12
13	19M7868	SCREW	1	M8 X 30
14	CH19101	BOLT	11	M8 X 45
15	19M7800	SCREW	3	M8 X 50
16	M811568	WASHER	1	



Thank you so much for reading.
Please click the “Buy Now!”
button below to download the
complete manual.



After you pay.

You can download the most
perfect and complete manual in
the world immediately.

Our support email:

ebooklibonline@outlook.com