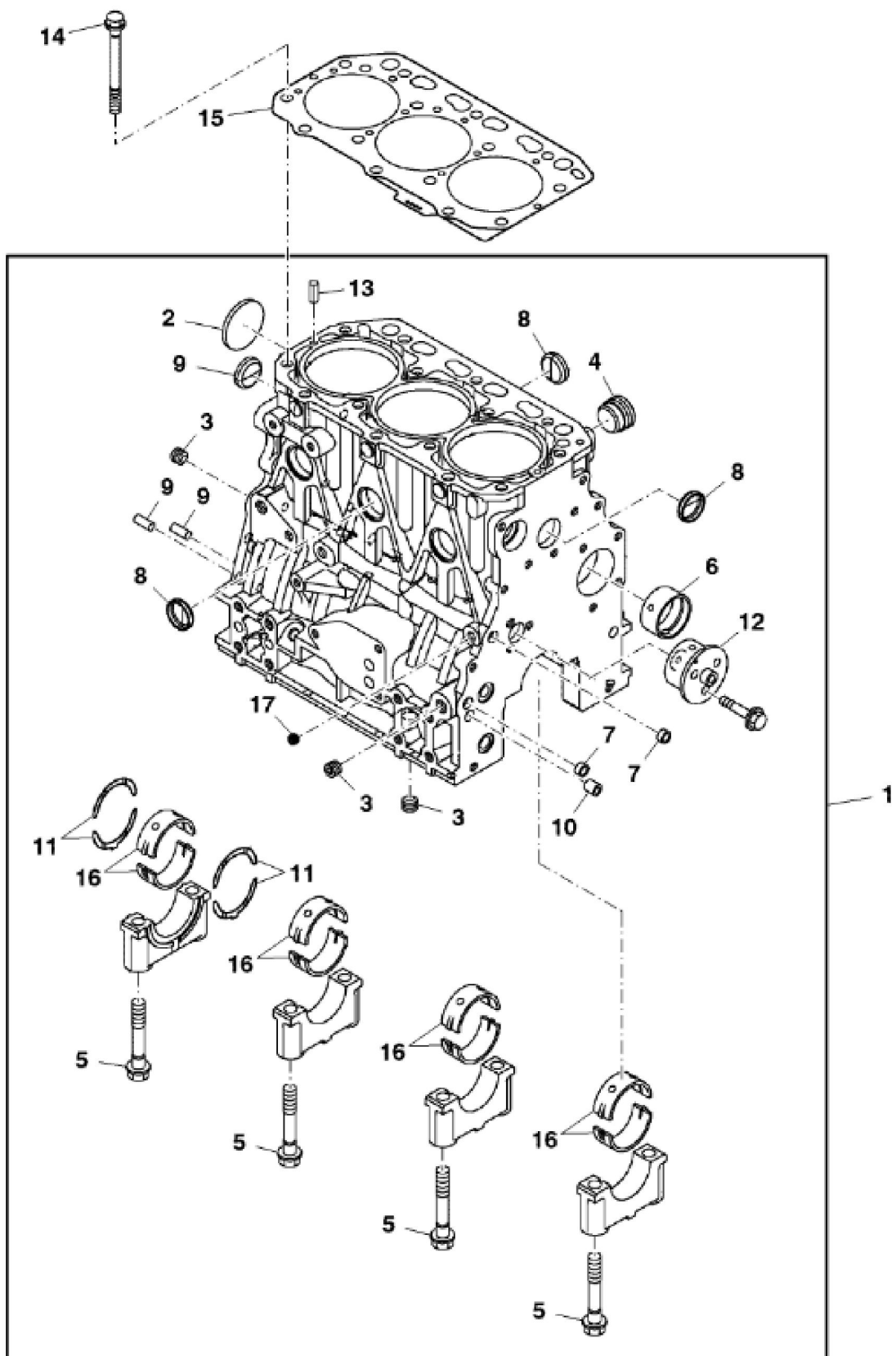


John Deere > Turf And Utility > MOWER, FAIRWAY > 1580 - MOWER, FAIRWAY > 1580 TerrainCut Front Mower (with 60, 62 or 72-inch Deck) > 20 ENGINE, 3TNV88-BDJME TCM12208 > ST784413 - ENGINE, 3TNV88-BDJME

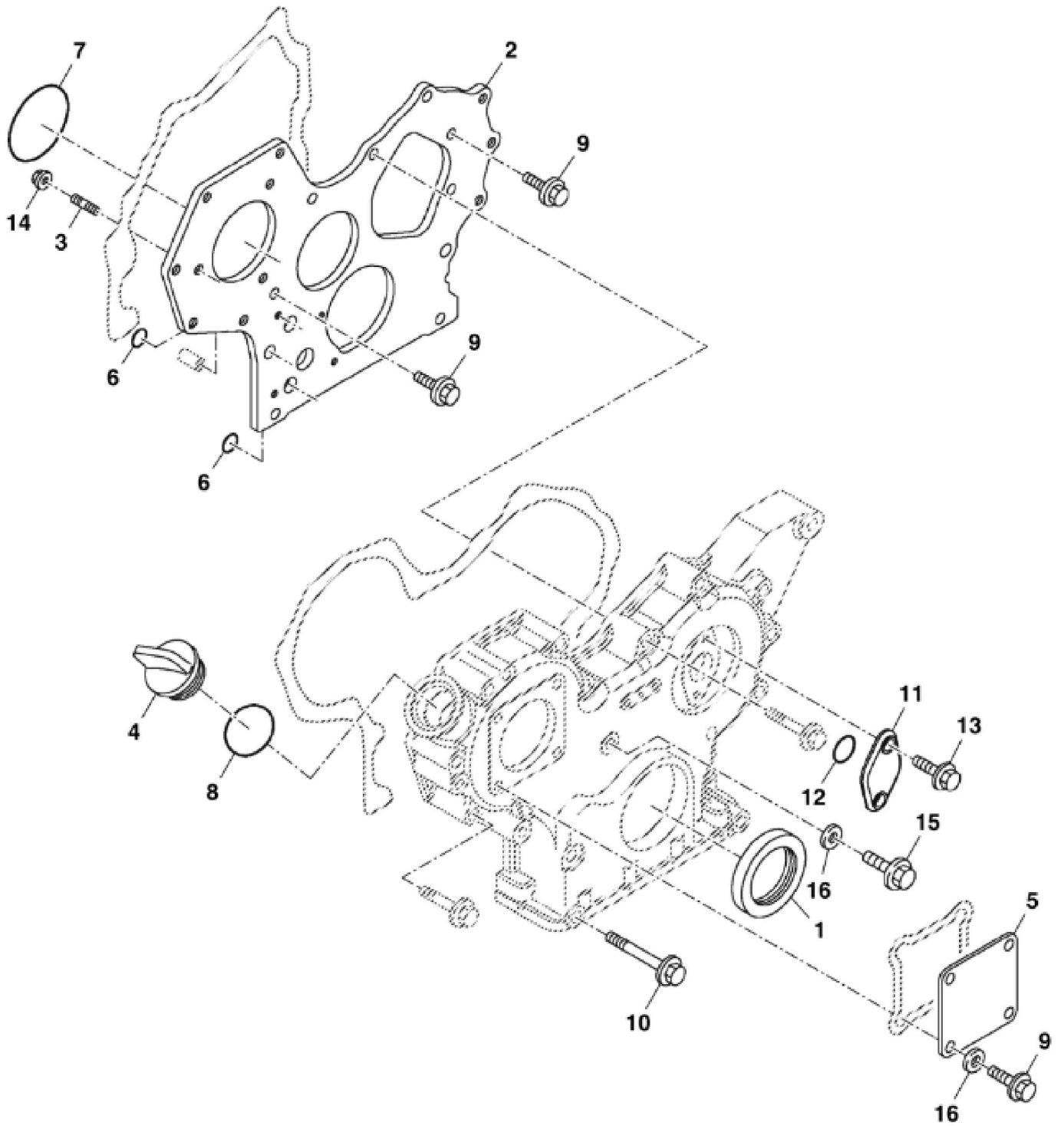
KEY	PART NO.	PART NAME	QTY	REMARKS	
1	MIA12410	DIESEL ENGINE	1	MARKED 3TNV88-BDJME	



TCM12208A01

CYLINDER BLOCK

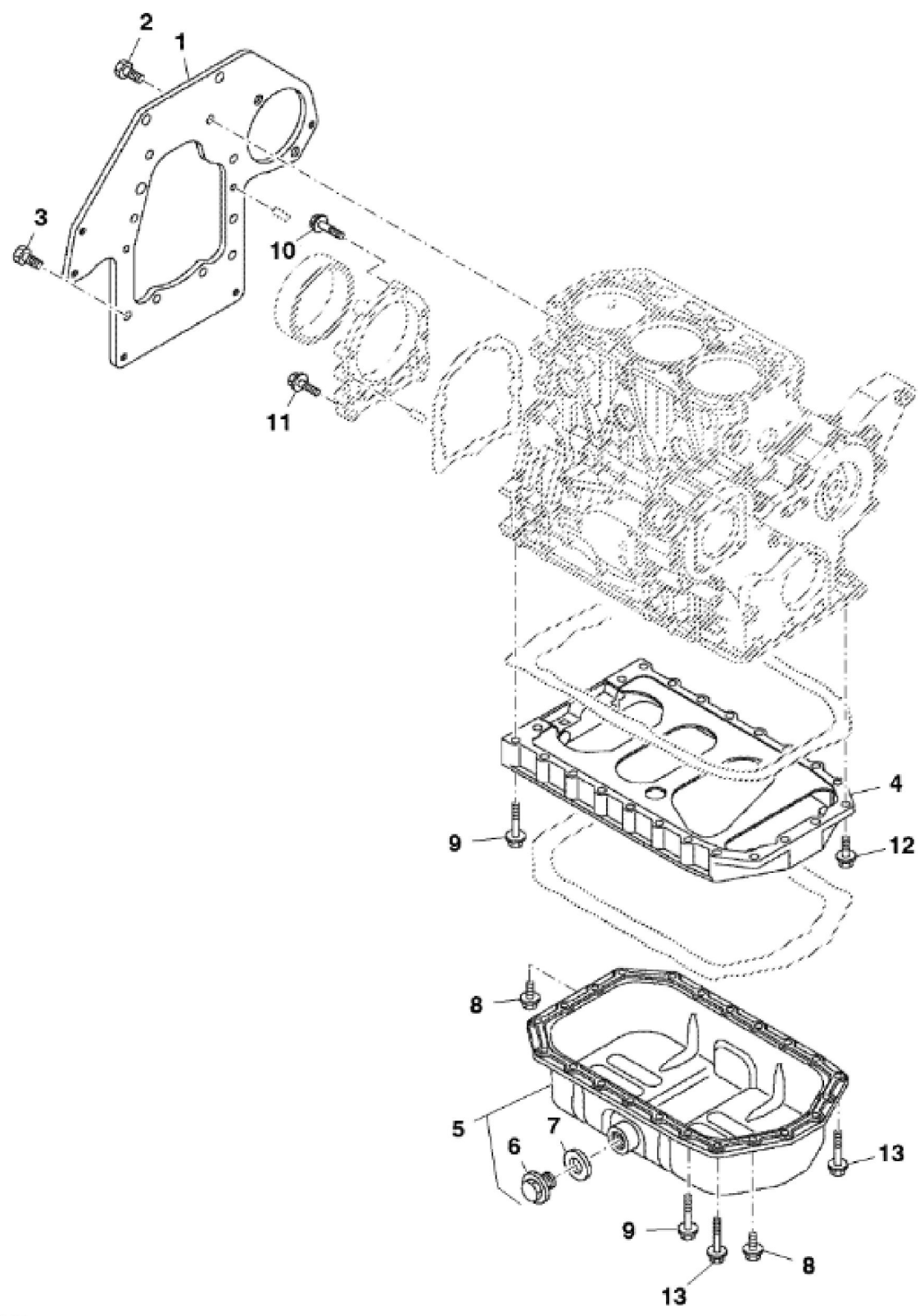
KEY	PART NO.	PART NAME	QTY	REMARKS	
1	MIA880878	CYLINDER BLOCK	1		
2	M809565	DRAIN PLUG	1		
3	CH10335	PLUG	3		
4	15H562	PIPE PLUG	1	1"	
5	M801189	BOLT	8		
6	MIU800573	BUSHING	1	Camshaft	
7	M87801	PLUG	2		
8	30M7023	PLUG	6		
9	M802255	PIN	4		
10	M800974	PIPE	2		
11	MIA880555	BEARING	2		
11	MIA882809	BEARING KIT	1	OS 0.25	
12	MIU800797	SHAFT	1	Idle Gear	
13	CH18079	SPRING PIN	2		
14	M801186	BOLT	14		
15	M806811	ENGINE CYLINDER HEAD GASKET	1		
16	MIA880554	BEARING	4		
16	MIA880550	BEARING	4	US 0.25	
17	CH10314	PLUG	1		



TCM12208A02

John Deere > Turf And Utility > MOWER, FAIRWAY > 1580 - MOWER, FAIRWAY > 1580 TerrainCut Front Mower (with 60, 62 or 72-inch Deck) > 20 ENGINE, 3TNV88-BDJME TCM12208 > ST784250 - GEAR HOUSING

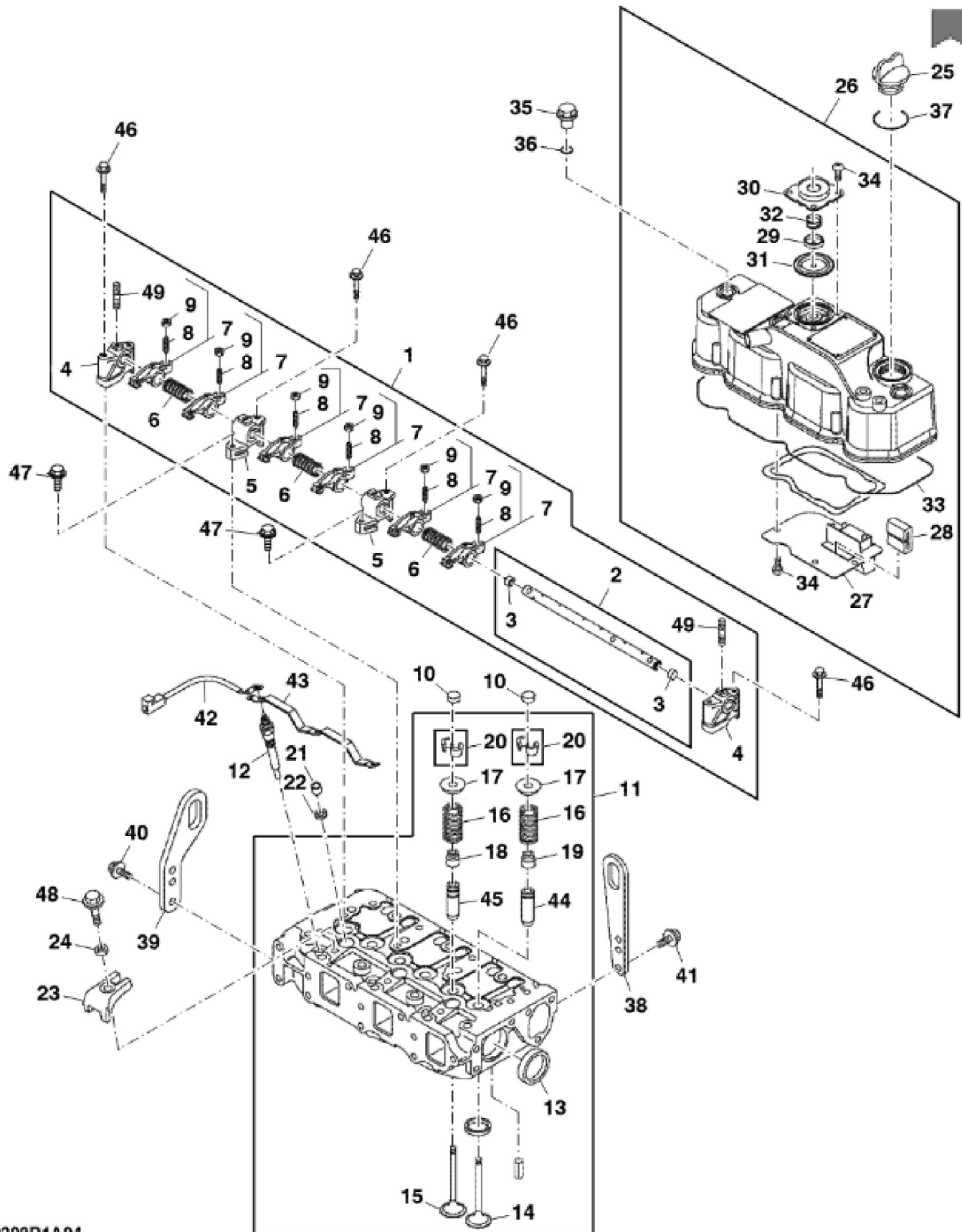
KEY	PART NO.	PART NAME	QTY	REMARKS
1	M811078	SEAL	1	
2	MIU800874	FLANGE	1	Gear Case
3	MIU800440	STUD	3	M8X25
4	M805710	CAP	1	Oil Fill
5	CH18096	COVER	1	
6	M810185	O-RING	2	
7	CH16940	O-RING	1	
8	M805711	PACKING	1	
9	19M7865	SCREW	7	M8 X 16
10	CH19136	BOLT	3	
11	MIU800476	COVER	1	Tachometer
12	CH13526	PACKING	1	
13	19M7775	SCREW	2	M6 X 16
14	14M7298	FLANGE NUT	4	M8
15	19M7868	SCREW	1	M8 X 30
16	M803523	WASHER	5	



TCM12208A03

John Deere > Turf And Utility > MOWER, FAIRWAY > 1580 - MOWER, FAIRWAY > 1580 TerrainCut Front Mower (with 60, 62 or 72-inch Deck) > 20 ENGINE, 3TNV88-BDJME TCM12208 > ST784252 - MOUNTING FLANGE AND OIL SUMP

KEY	PART NO.	PART NAME	QTY	REMARKS
1	M800991	PLATE	1	Back Plate
2	M800011	BOLT	6	M10 X 20
3	M800077	BOLT	4	M10 X 25
4	M801735	RESERVOIR	1	Sump, Oil
5	AM881170	OIL PAN	1	
6	M806544	DRAIN PLUG	1	
7	M806545	WASHER	1	
8	19M7865	SCREW	6	M8 X 16
9	CH19101	BOLT	22	
10	M808308	BOLT	6	
11	19M7897	SCREW	3	M8 X 35
12	19M7867	SCREW	8	M8 X 25
13	19M7800	SCREW	6	M8 X 50



TCM12208R1A04

Thank you so much for reading.
Please click the “Buy Now!”
button below to download the
complete manual.



After you pay.

You can download the most
perfect and complete manual in
the world immediately.

Our support email:

ebooklibonline@outlook.com