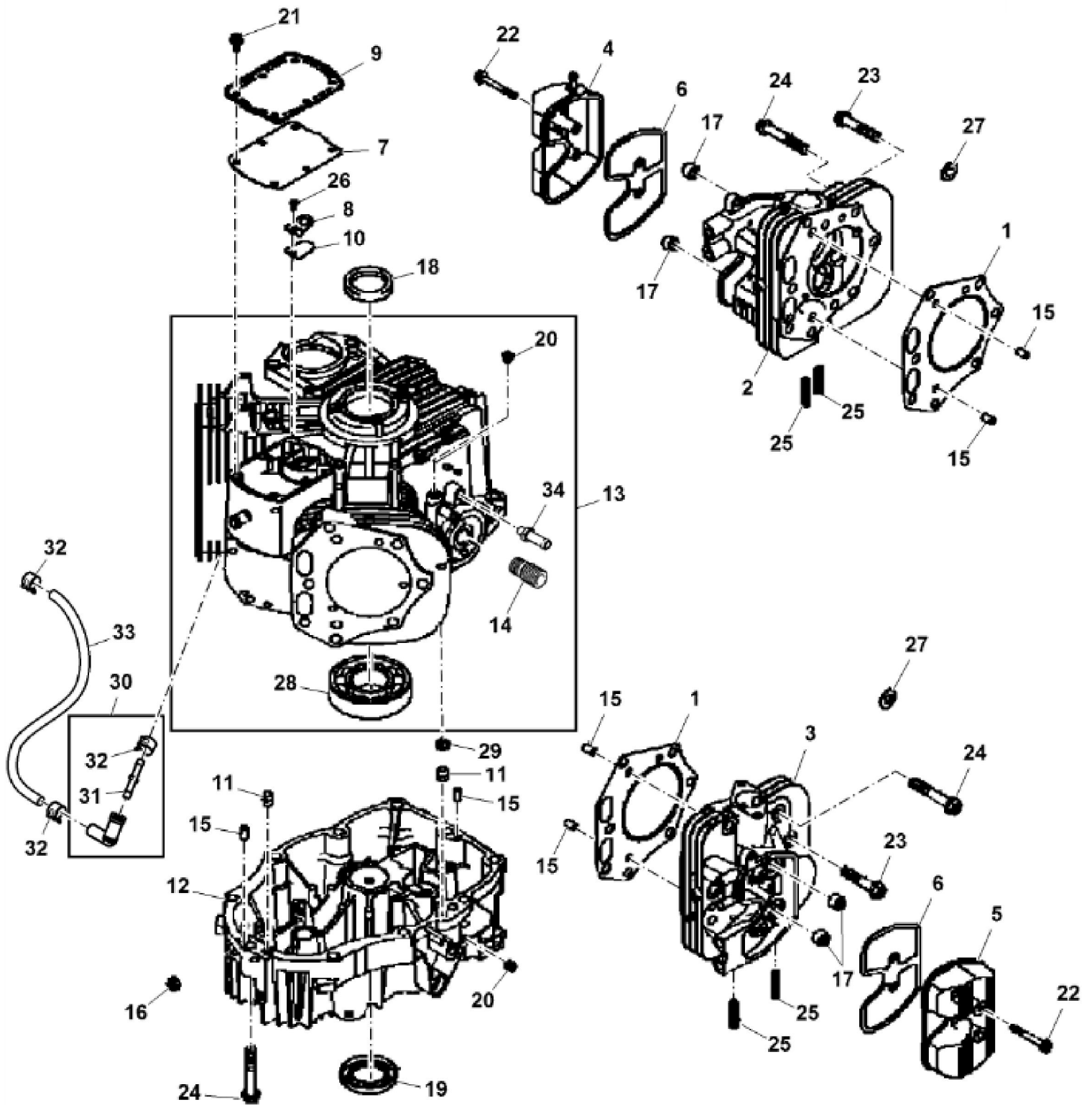
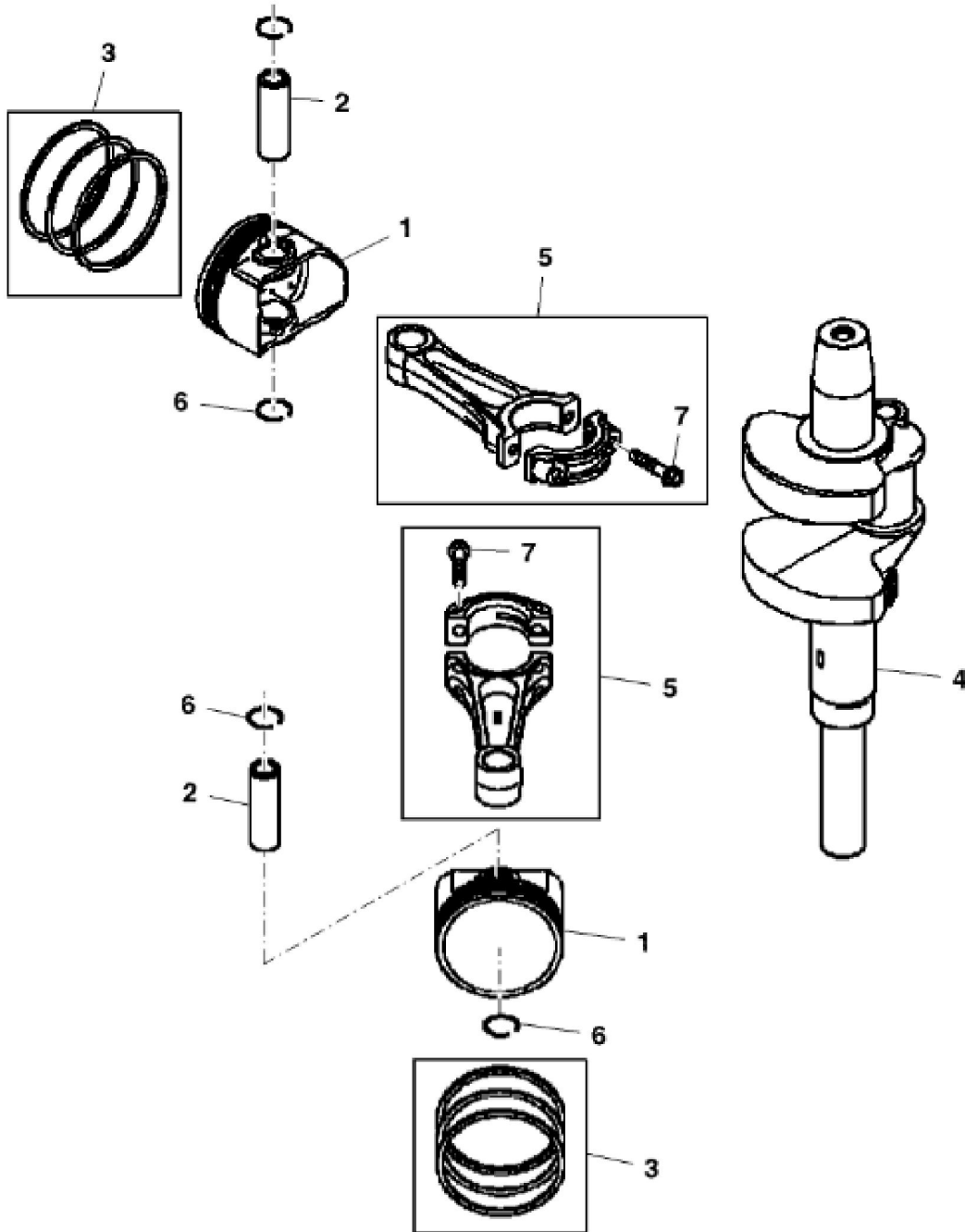


KEY	PART NO.	PART NAME	QTY	REMARKS	
1	MIA12256	GASOLINE ENGINE	1	MARKED FX850V-AS13R; ORDER MIA13102	
1	MIA13102	GASOLINE ENGINE	1	MARKED FX850V-BS13-R	
2	19H3693	SCREW	4	3/8" X 1-1/4"	
3	TCU24263	CAP SCREW	1		

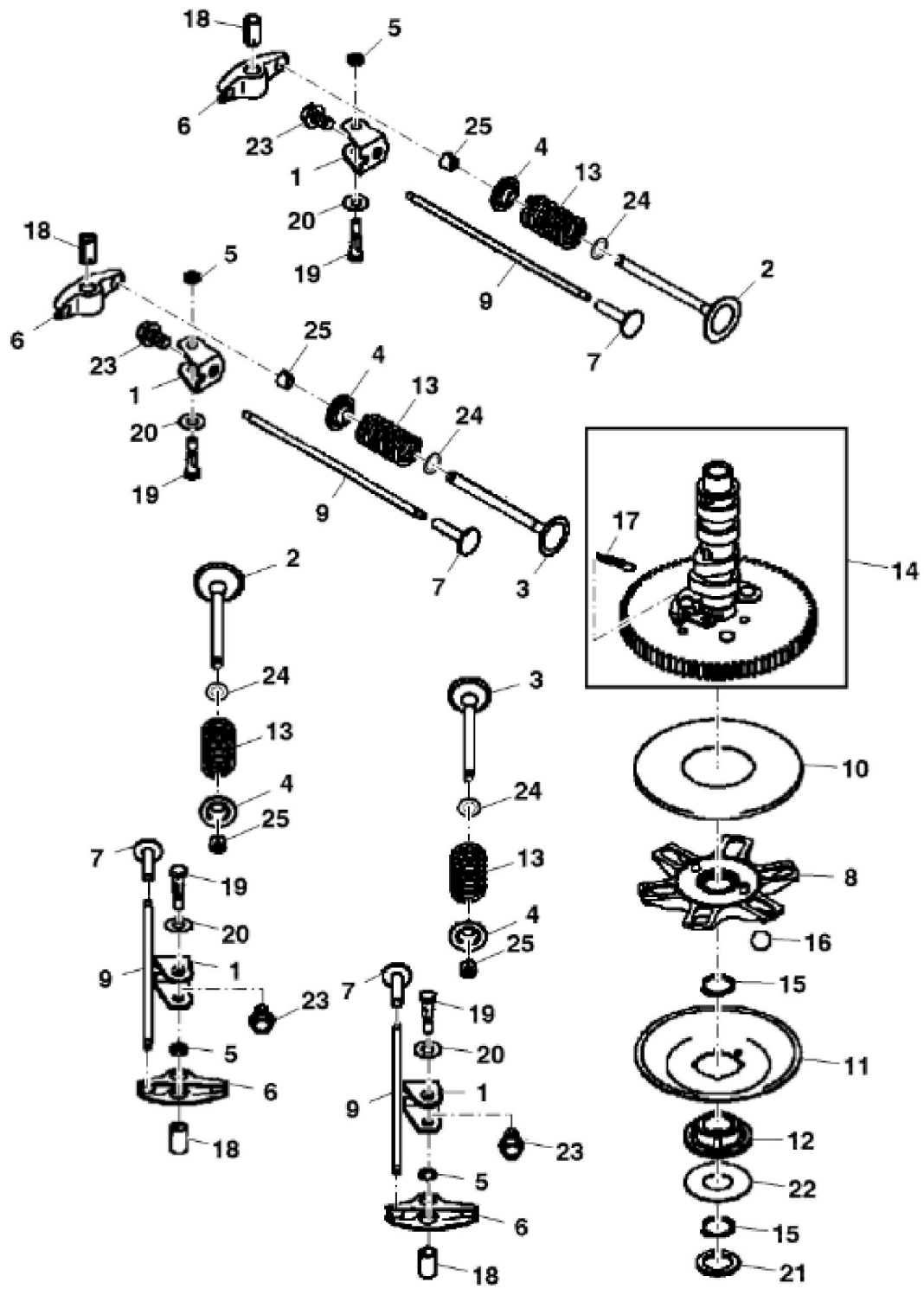


KEY	PART NO.	PART NAME	QTY	REMARKS	
1	MIU11760	ENGINE CYLINDER HEAD GASKET	2		
2	UC11383	CYLINDER HEAD	1	SUB FOR MIU11761; No. 1	
3	MIU11762	CYLINDER HEAD	1	No. 2	
4	MIU11763	CASE	1		
5	MIU11764	CASE	1		
6	MIU14057	GASKET	2	SUB FOR MIU11765	
7	MIU11766	GASKET	1	Breather	
8	MIU13821	PLATE	1	Breather	
9	MIU11768	COVER	1	Breather	
10	MIU11769	VALVE	1	Breather	
11	MIU14507	PIPE	1	SUB FOR MIU11770	
12	MIA11493	COVER	1	Crankcase	
13	MIA12315	CRANKCASE	1	ORDER MIA12732	
13	MIA12732	CRANKCASE	1	INCLUDES MIU13981	
14	M127431	ADAPTER FITTING	1		
14	MIU13767	ADAPTER FITTING	1	MARKED FX850V-BS13-R	
15	MIU11772	PIN	6	ORDER M74252	
15	M74252	PIN	6		
16	M151774	SEAL	1		
17	M152964	SEAL	4		
18	MIU11773	SEAL	1		
19	MIU11774	SEAL	1		
20	M147270	PLUG	2		
20	MIU14001	PLUG	2	MARKED FX850V-BS13-R	
21	MIU11325	BOLT	6	M6 X 12	
22	MIU11874	BOLT	4	M6 X 50, SUB FOR MIU11775	
23	MIU11776	BOLT	2	M10 X 50	
24	MIU11777	BOLT	20	M10 X 60	
25	M138395	STUD	4	ORDER MIU11736	
25	MIU11736	BOLT	4	ORDER MIU12726	
25	MIU12726	STUD	4		
26	21M7244	SCREW	1	M4 X 8	
27	24M7096	WASHER	2	10.500 X 18 X 1.600 mm	
28	MIU11779	BALL BEARING	1	ORDER MIU13981	
28	MIU13981	BALL BEARING	1		

KEY	PART NO.	PART NAME	QTY	REMARKS	
29	M76104	O-RING	2		
30	TCA20670	ELBOW FITTING	1		
31	TCU29939	HOSE FITTING	1		
32	N190220	HOSE CLAMP	3		
33	HOSE	1	CTL 900 mm, MF M175324	
34	MIU14223	HOSE FITTING	1	MARKED FX850V-BS13-R	



KEY	PART NO.	PART NAME	QTY	REMARKS	
1	MIU11780	PISTON	2		
2	MIU11781	PISTON PIN	2		
3	MIA11247	PISTON RING KIT	2		
4	MIA11248	CRANKSHAFT	1		
5	MIA11249	CONNECTING ROD	2	ORDER MIA13083	
5	MIA13083	CONNECTING ROD	2		
6	MIU13987	SNAP RING	4		
7	M147310	BOLT	4	M7 X 35.2	



Thank you so much for reading.
Please click the “Buy Now!”
button below to download the
complete manual.



After you pay.

You can download the most
perfect and complete manual in
the world immediately.

Our support email:

ebooklibonline@outlook.com