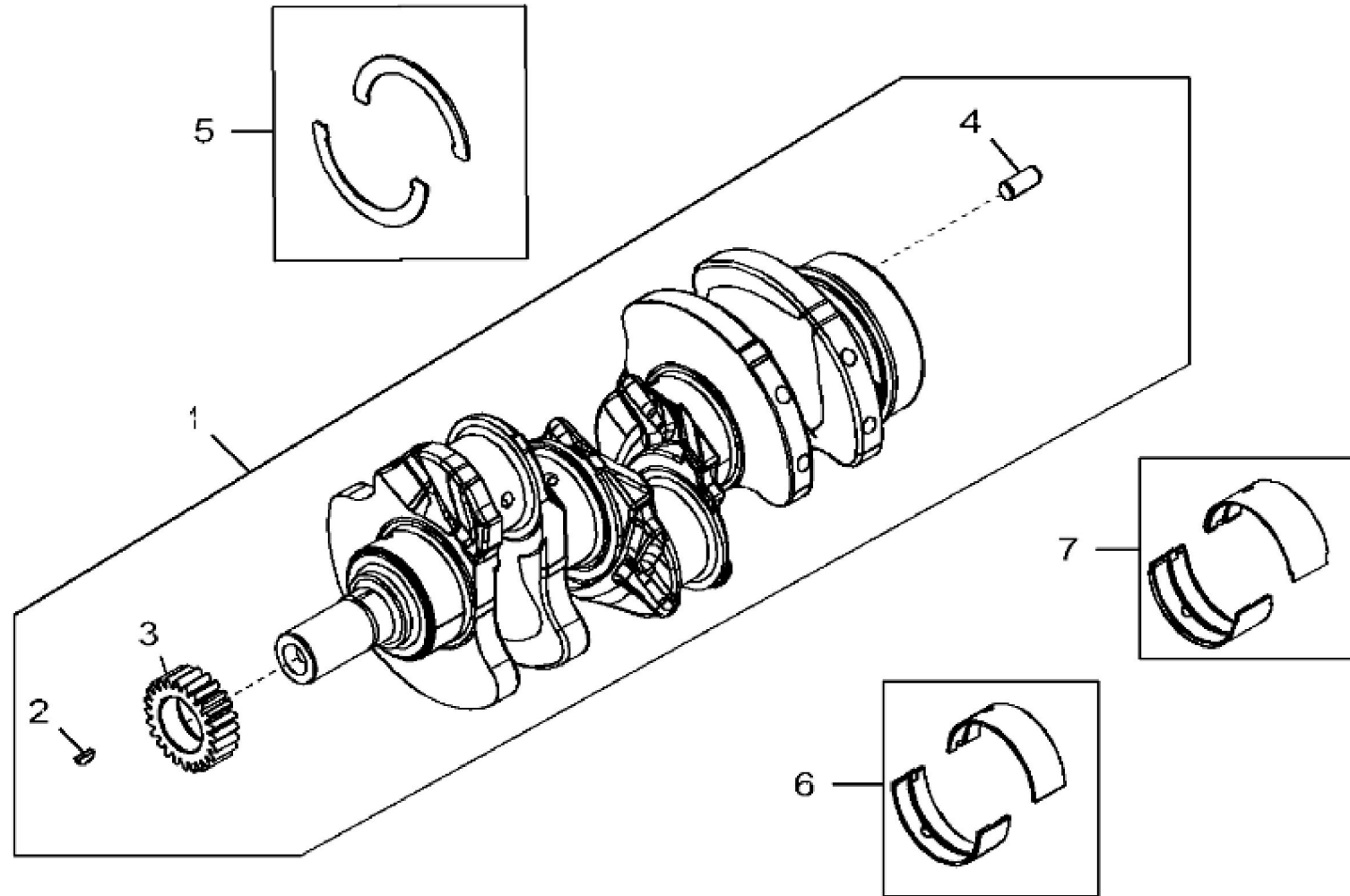


CYLINDER BLOCK

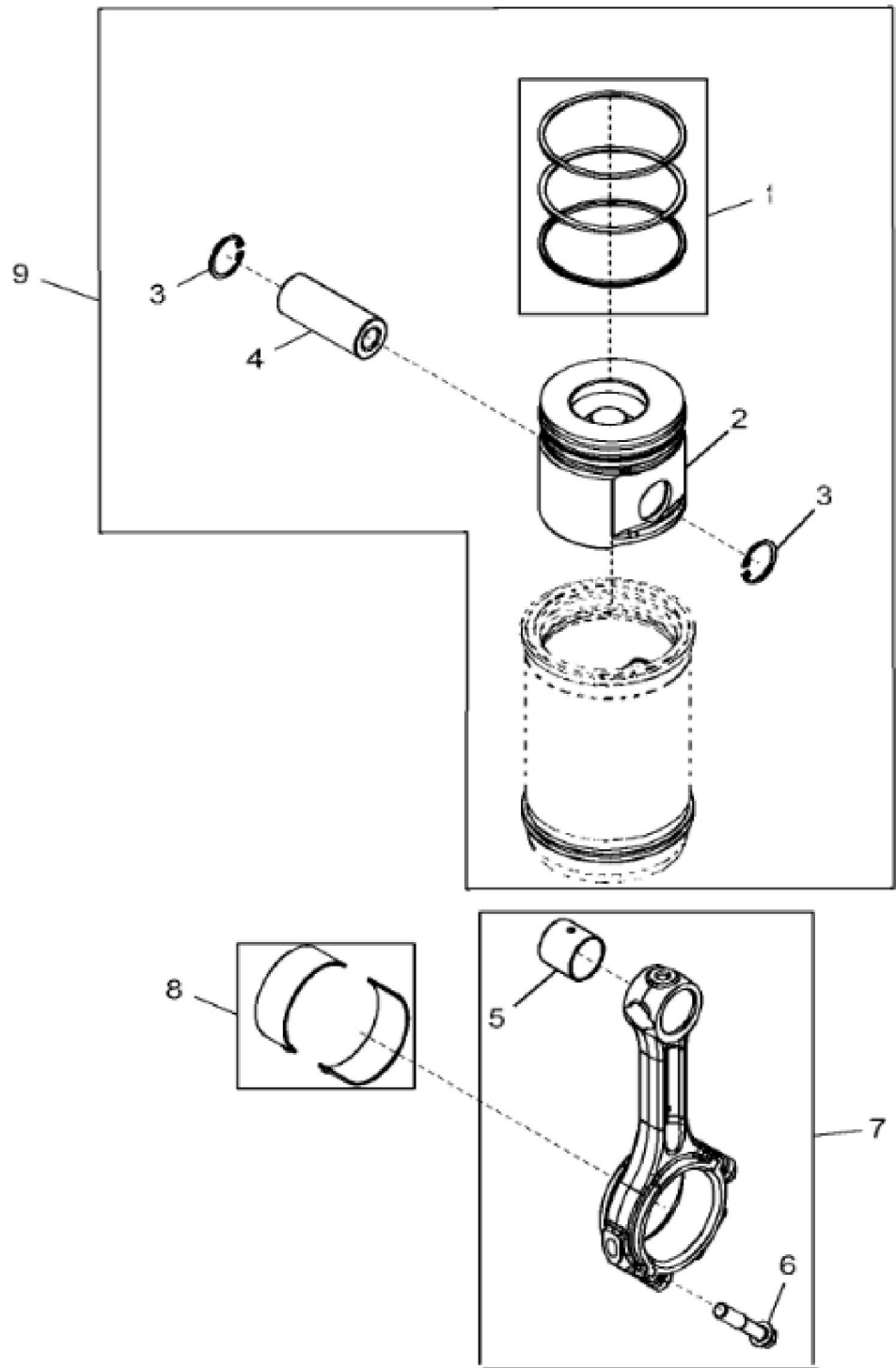
KEY	PART NO.	PART NAME	QTY	REMARKS
1	CYLINDER BLOCK	1	ORDER RE544677; MARKED DZ103053
1	RE544677	SHORT BLOCK ASSEMBLY	1	
2	R65215	BEARING CAP	3	
3	R79089	CAP	1	
4	T20168	WASHER	8	
5	R528387	CAP SCREW	8	
6	T23435	THREADED NIPPLE	1	
7	R119874	BUSHING	1	
8	15H275	PIPE PLUG	1	1/4"
9	R26493	BUSHING	1	
10	R54802	ORIFICE	3	
11	15H695	PIPE PLUG	1	3/8"
12	R534150	PLATE	1	
13	19M8999	SCREW	2	M8 X 25
14	T18891	PLUG	2	
15	R111137	SPRING	1	
16	R121043	VALVE	1	
17	B153R	DOWEL PIN	2	
18	R97185	O-RING	1	
19	D2361R	BALL	1	
20	A120R	DOWEL PIN	4	
21	15H653	PIPE PLUG	1	1"
22	RE507807	PIPE PLUG	1	
23	RE42713	PIPE PLUG	2	
24	R502260	CYLINDER LINER	3	
25	RE525162	O-RING KIT	3	
26	RE535328	CAMSHAFT	1	
27	26H72	SHAFT KEY	1	1/8" X 5/8"



4728_RE552305_PCD

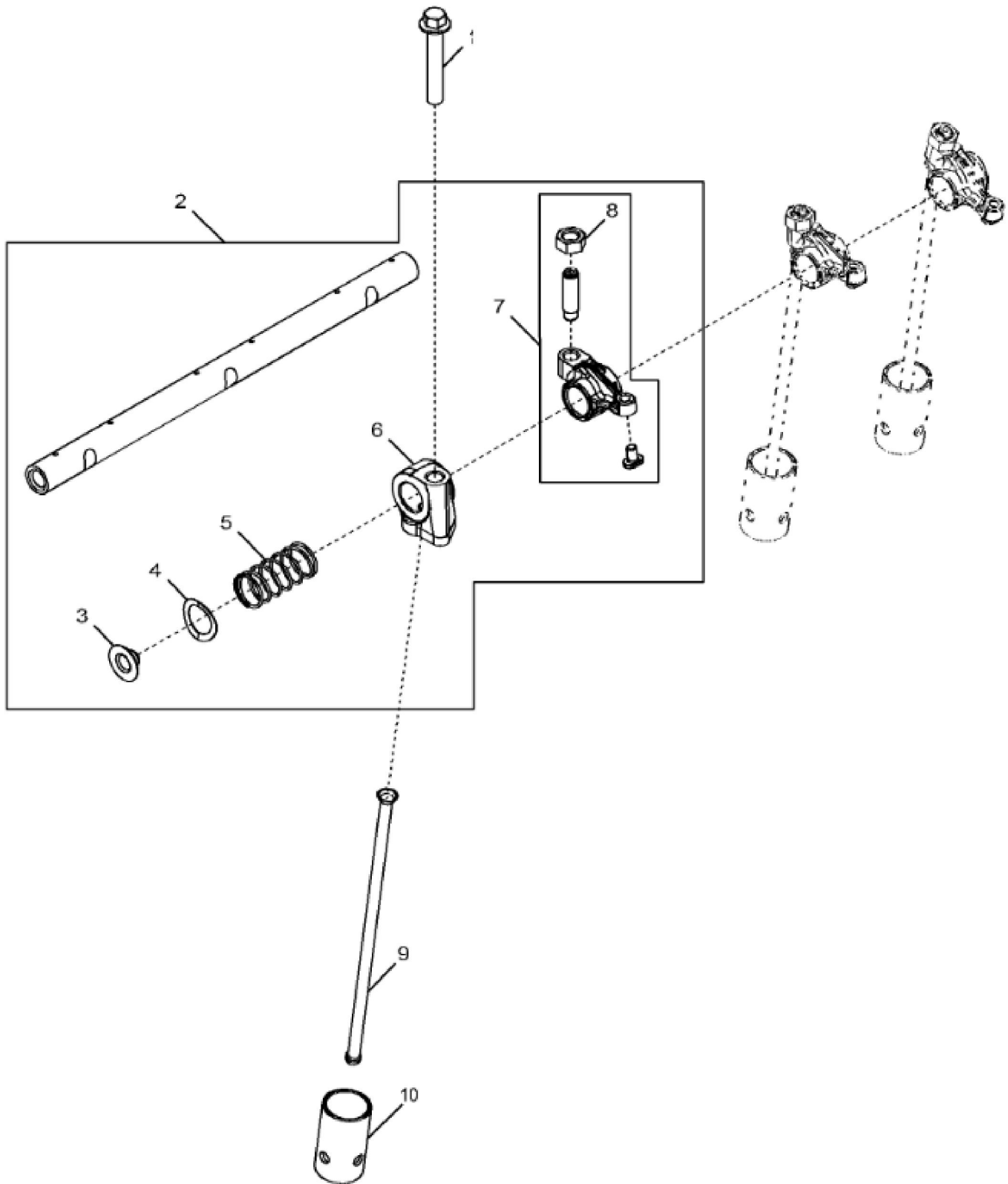
CRANKSHAFT AND BEARINGS

KEY	PART NO.	PART NAME	QTY	REMARKS
1	CRANKSHAFT	1	ORDER RE565459 OR DZ101387 OR DZ10463
1	RE565459	CRANKSHAFT	1	(Only For 5M FT4 Engines) (Not Illustrated) KIT
1	DZ101387	CRANKSHAFT	1	(Only For 5E and OEM FT4 Engines) (Not Illustrated) KIT
1	DZ10463	CRANKSHAFT	1	(Only For Non FT4 3029 Engines) (Not Illustrated) KIT
2	26H72	SHAFT KEY	1	1/8" X 5/8"
3	R538912	GEAR	1	Z = 24; MARKED R542963; SUB FOR APPL R504262 OR R100850
4	A120R	DOWEL PIN	1	
5	R516362	THRUST WASHER	3	
6	AT21140	BEARING	3	KIT; (2) R515304
7	RE57279	BEARING KIT	1	KIT; (2) R515305



CONNECTING RODS AND PISTONS

KEY	PART NO.	PART NAME	QTY	REMARKS	
1	RE521814	PISTON RING KIT	3		
2	RE520573	PISTON	3		
3	40M1856	SNAP RING	6		
4	R130145	PISTON PIN	3		
5	R504300	BUSHING	3		
6	R80033	CAP SCREW	6	SUB FOR R516517	
7	RE507799	CONNECTING ROD	3		
8	RE27348	BEARING KIT	3		
9	RE520768	PISTON-LINER KIT	3		
10	R502260	CYLINDER LINER	3		
11	RE525162	O-RING KIT	3		



Thank you so much for reading.
Please click the “Buy Now!”
button below to download the
complete manual.



After you pay.

You can download the most
perfect and complete manual in
the world immediately.

Our support email:

ebooklibonline@outlook.com