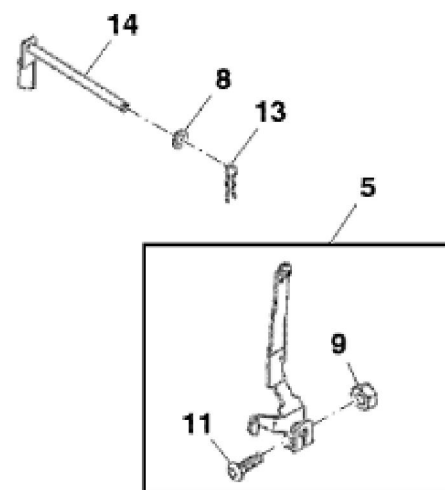
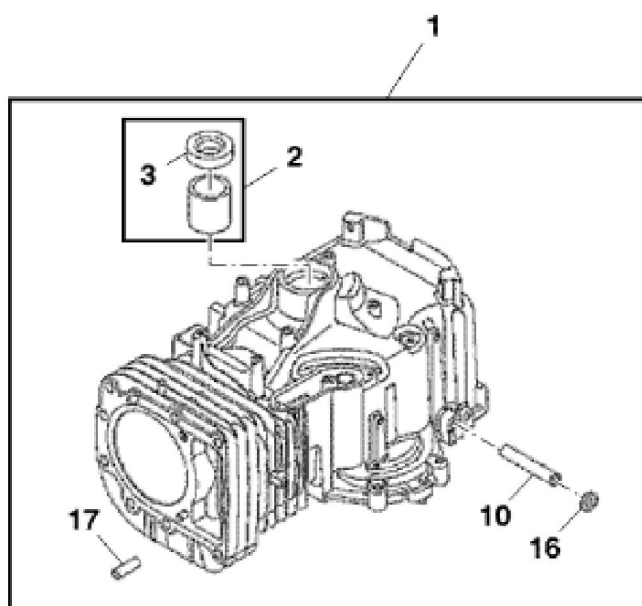
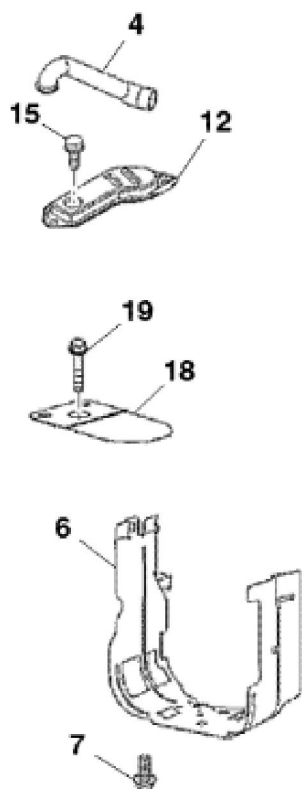
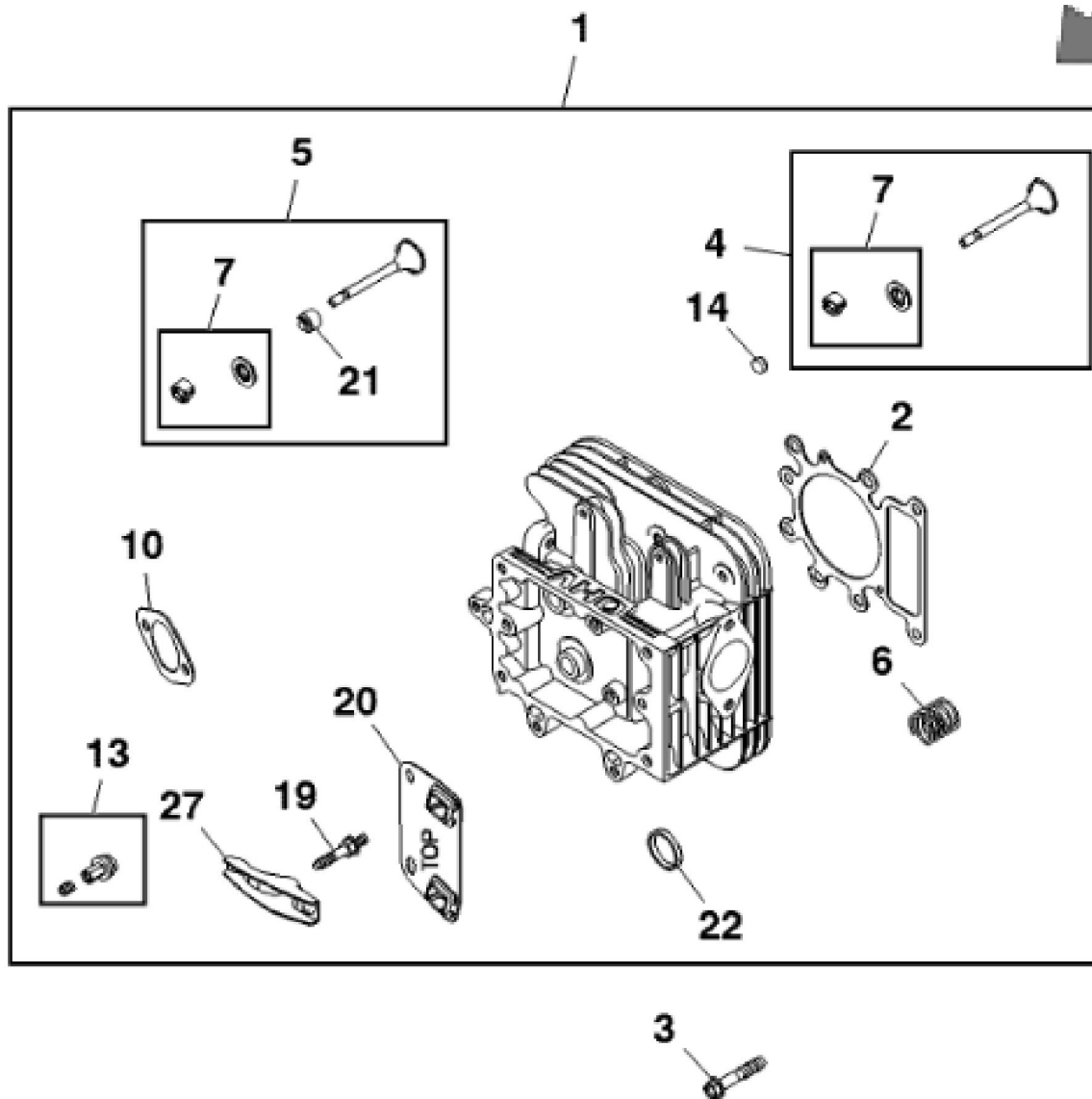
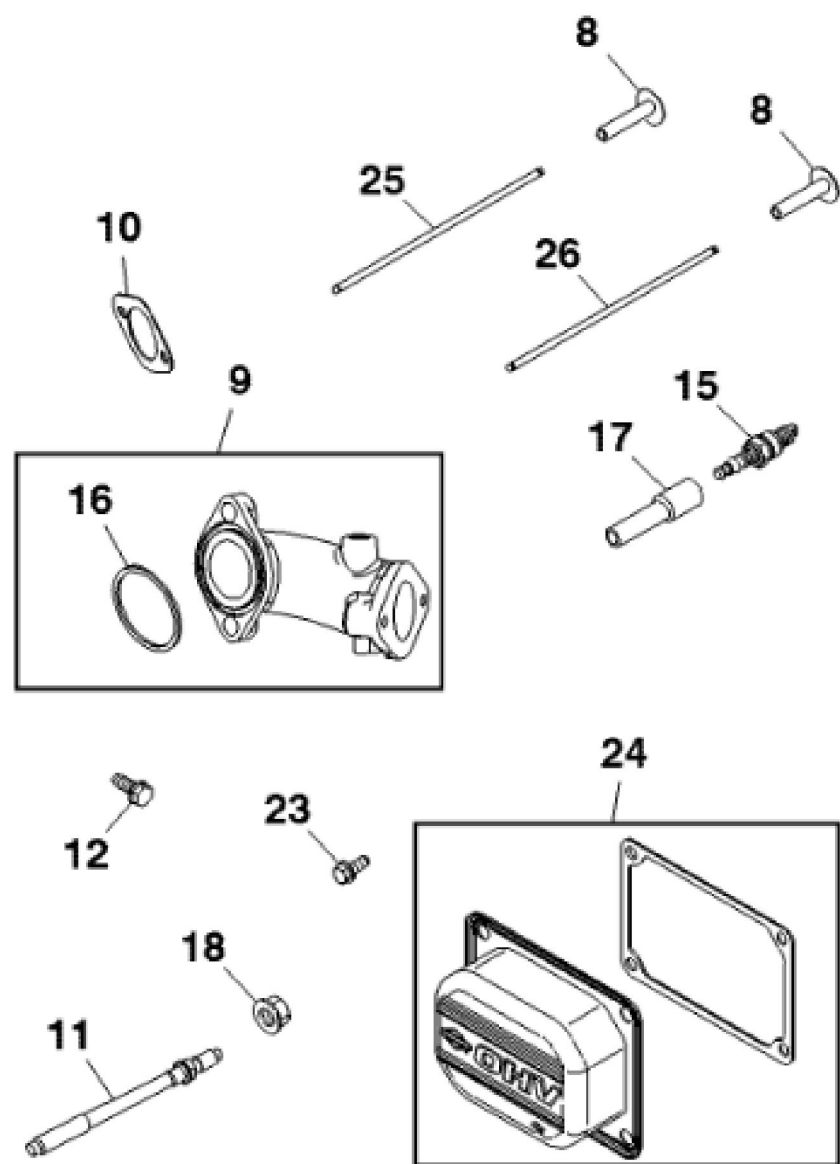


GU21352A01

KEY	PART NO.	PART NAME	QTY	REMARKS	
1	MIA12575	GASOLINE ENGINE	1	MARKED 21R877-0032-B1	
2	GX23190	RING	1	Long Plenum	



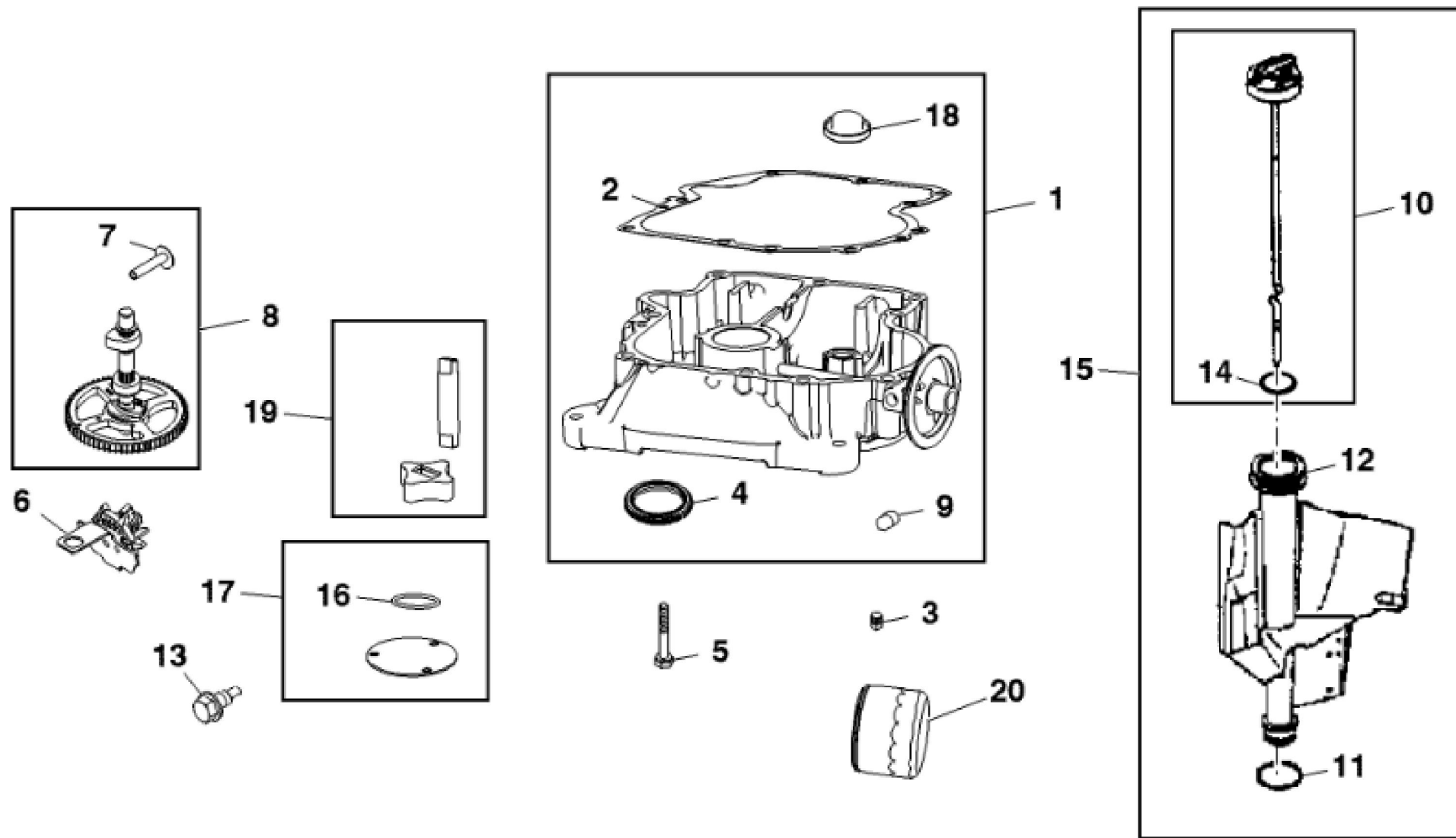
KEY	PART NO.	PART NAME	QTY	REMARKS	
1	MIA13002	CYLINDER	1		
2	MIA11778	SEAL KIT	1		
3	LG391086S	SEAL	1	Oil	
4	MIU11682	TUBE	1	Breather	
5	LG691374	LEVER	1	Governor	
6	MIU14367	SHIELD	1	Cylinder	
7	LG691693	BOLT	1		
8	LG691691	WASHER	1		
9	LG691251	NUT	1		
10	M147497	BUSHING	1		
11	LG691119	BOLT	1		
12	MIU11631	COVER	1	Breather	
13	LG691620	COTTER PIN	1		
14	LG692012	CRANK	1		
15	M147508	SCREW	2		
16	LG692407	SEAL	1	Governor	
17	LG690959	DOWEL PIN	2		
18	M147501	BREATHER	1	Reed	
19	M147507	SCREW	1		



PU13340

John Deere > Turf And Utility >TRACTOR, LAWN AND GARDEN >X115R - TRACTOR, LAWN AND GARDEN >X115R 100 Series Tractor >20 ENGINE ETN161949 >ST799624 - CYLINDER HEAD, INTAKE MANIFOLD

KEY	PART NO.	PART NAME	QTY	REMARKS
1	MIA13003	CYLINDER HEAD	1	
2	LG273280S	GASKET	1	Cylinder Head
3	LG690360	SCREW	8	
4	MIA11214	VALVE	1	SUB FOR MIA13004; Exhaust
5	MIA10689	INTAKE VALVE	1	
6	LG691279	SPRING	2	Intake
7	LG499586	VALVE	2	Keeper
8	LG690564	TAPPET	2	
9	MIA13005	INTAKE MANIFOLD	1	
10	M144311	GASKET	1	Intake
11	MIU13916	STUD	2	
12	LG95160	SCREW	2	
13	LG691986	ADJUSTER	2	Rocker Arm
14	LG691843	CAP	2	
15	MIU11020	SPARK PLUG	1	
16	LG692138	WHEEL SEAL O-RING	1	Intake Manifold
17	LG691909	BOOT	1	Spark Plug
18	LG690958	NUT	2	
19	LG691095	STUD	1	
20	LG690822	GUIDE	2	
21	LG690968	SEAL	1	
22	MIU14368	VALVE SEAT	1	
23	MIU14369	SCREW	4	
24	MIU12708	COVER	1	Rocker Arm
25	MIU14370	PUSH ROD	1	Exhaust
26	MIU14371	PUSH ROD	1	Intake
27	LG691751	ROCKER ARM	2	



PU20938

Thank you so much for reading.  
Please click the “Buy Now!”  
button below to download the  
complete manual.



After you pay.

You can download the most  
perfect and complete manual in  
the world immediately.

Our support email:

[ebooklibonline@outlook.com](mailto:ebooklibonline@outlook.com)