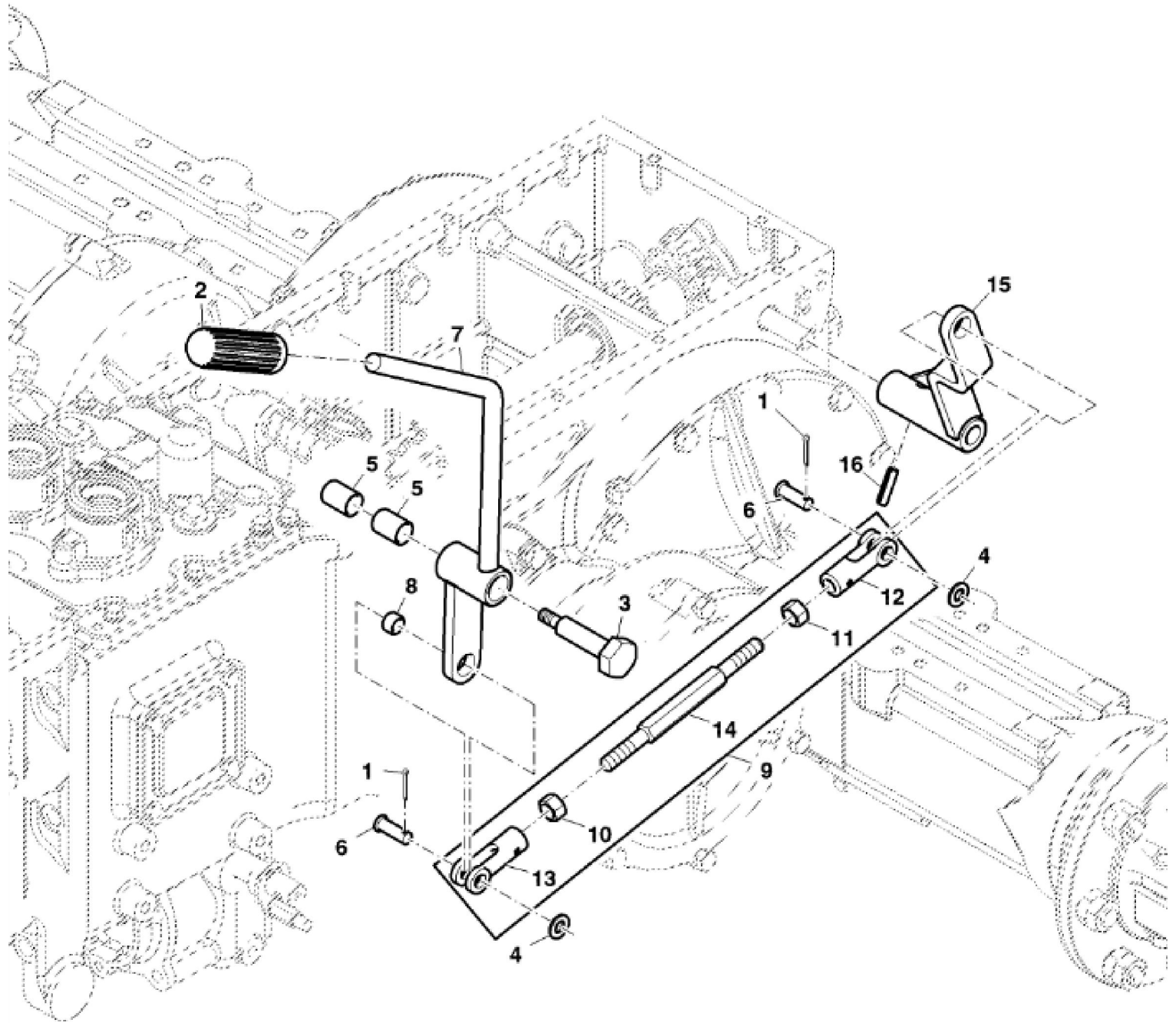


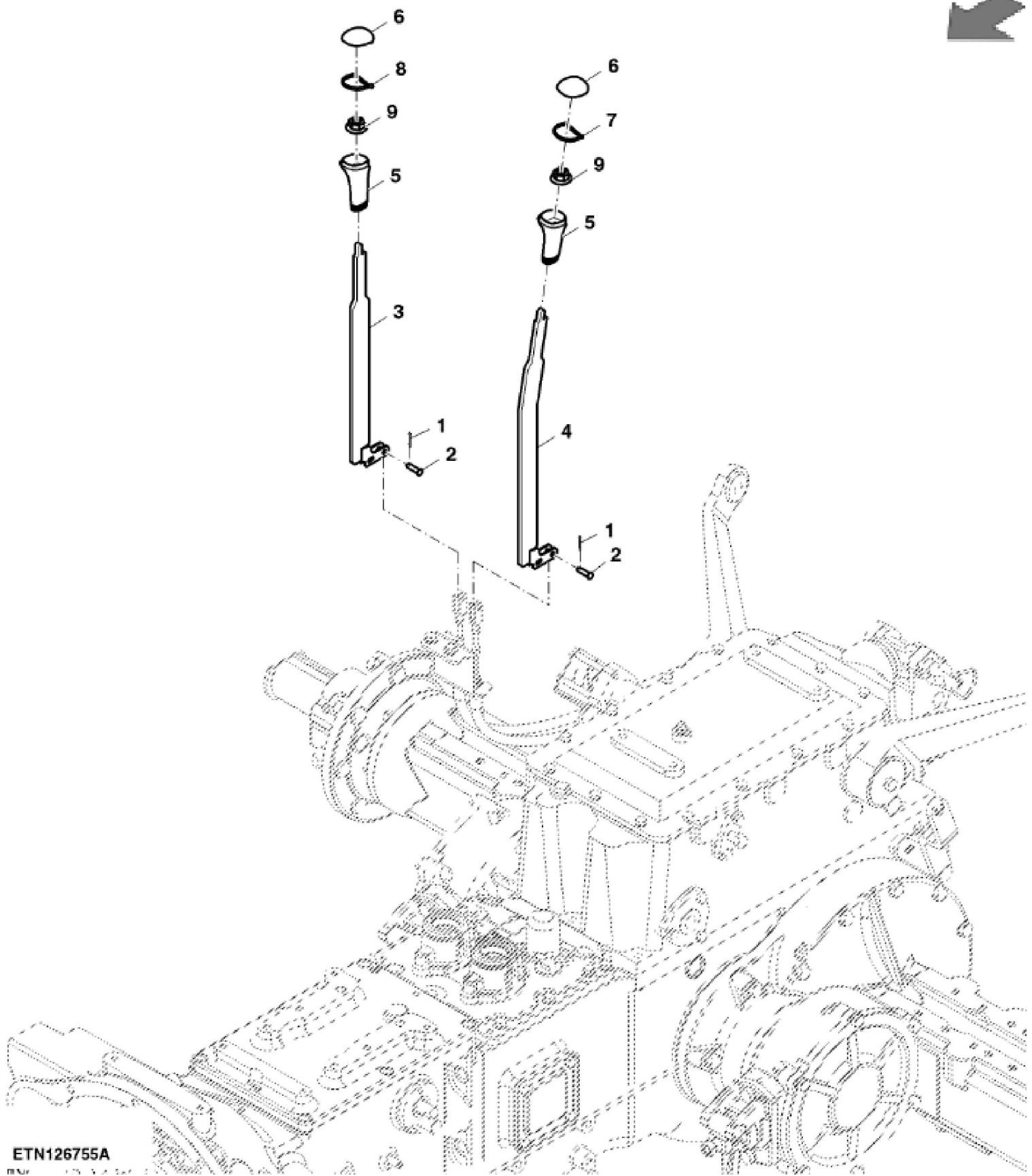
ETN120145AR2

KEY	PART NO.	PART NAME	QTY	REMARKS	
1	SU41420	CONTROL LEVER	1		
2	SU317748	KNOB	1		
3	SU326692	SEAT	1		
4	SU319413	PIN	1		
5	19M7163	CAP SCREW	2	M8 X 25	
6	SU40693	SEAL	1		
7	M132601	LABEL	1	(Differential lock)	



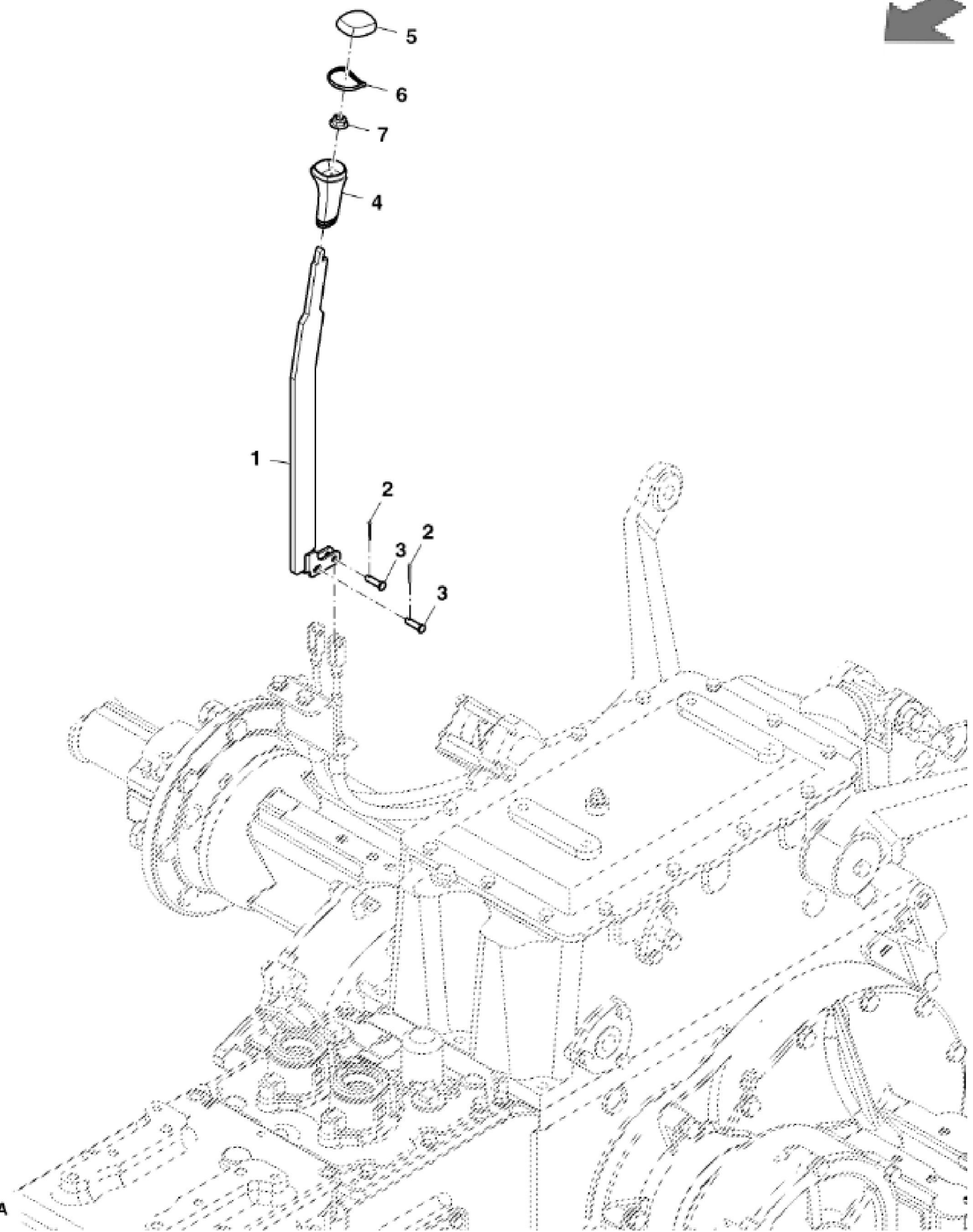
ETN126598A1

KEY	PART NO.	PART NAME	QTY	REMARKS	
1	11M7059	COTTER PIN	2	3.200 X 20 mm	
2	R109330	KNOB	1		
3	SU38056	SCREW	1		
4	24M7028	WASHER	2	10.500 X 20 X 2 mm	
5	SU317655	BUSHING	2		
6	SU319412	PIN	2		
7	SJ20798	CONTROL	1		
8	SU314255	BUSHING	1		
9	SJ20802	ROD	1		
10	14M7146	NUT	1	M12	
11	14M7512	NUT	1	M12	
12	SU314253	YOKE	1		
13	SU314254	YOKE	1		
14	SU36792	LEVER	1		
15	SJ21455	SUPPORT	1		
16	34M7124	SPRING PIN	1	8 X 30 mm	



ETN126755A

KEY	PART NO.	PART NAME	QTY	REMARKS	
1	11M7005	COTTER PIN	4	1.600 X 10 mm	
2	45M3681	PIN FASTENER	4	6 X 22 mm	
3	SJ22384	CONTROL LEVER	1	Second SCV Assembly	
4	SJ22385	CONTROL LEVER	1	First SCV Assembly	
5	L77747	KNOB	2		
6	M113899	INSERT	2		
7	L171710	RING	1		
8	L171711	RING	1		
9	M111717	PUSH NUT	2		



ETN126927A

Thank you so much for reading.
Please click the “Buy Now!”
button below to download the
complete manual.



After you pay.

You can download the most
perfect and complete manual in
the world immediately.

Our support email:

ebooklibonline@outlook.com