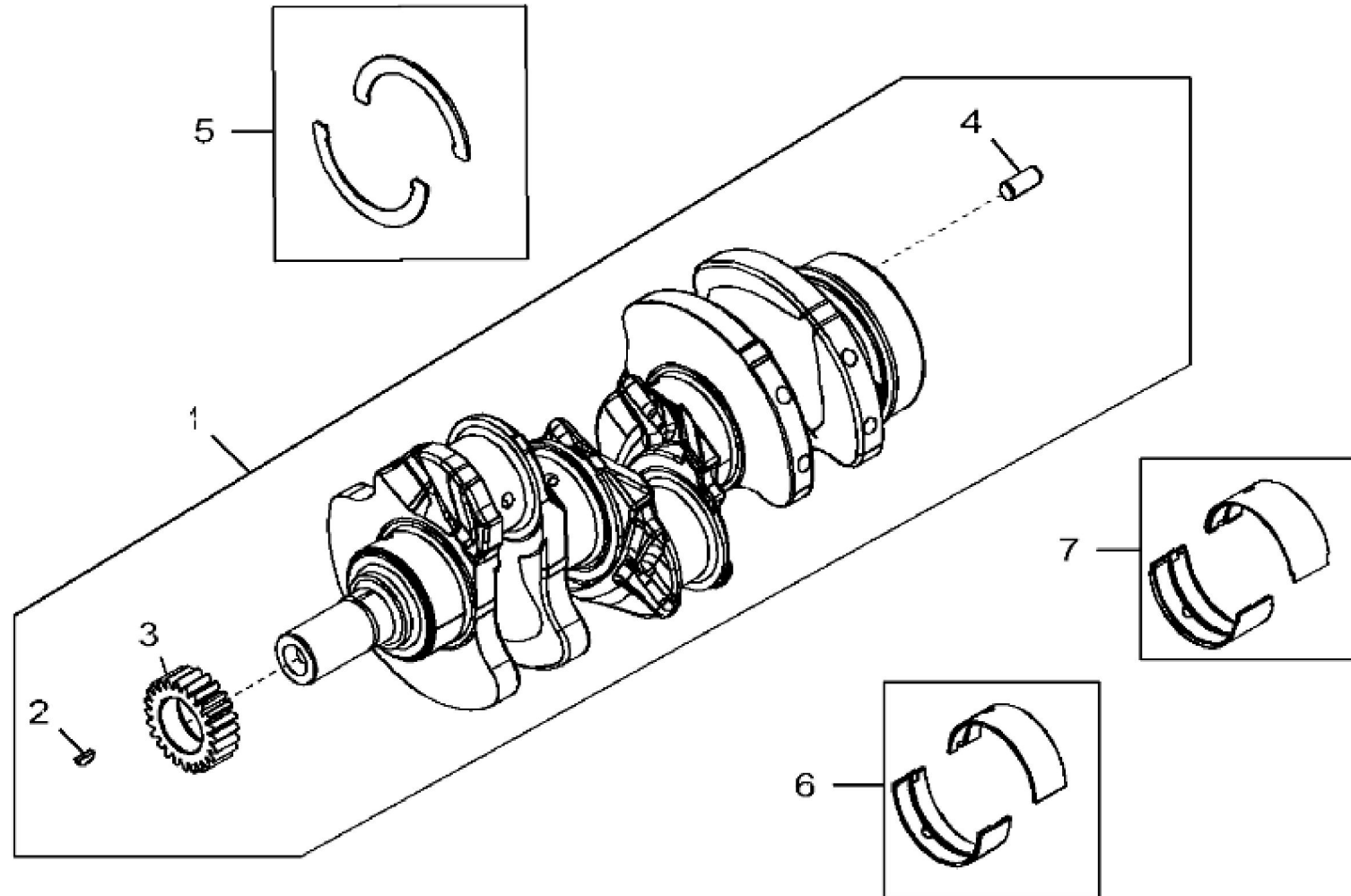


METRIC >ST758168 - 4669 CYLINDER BLOCK

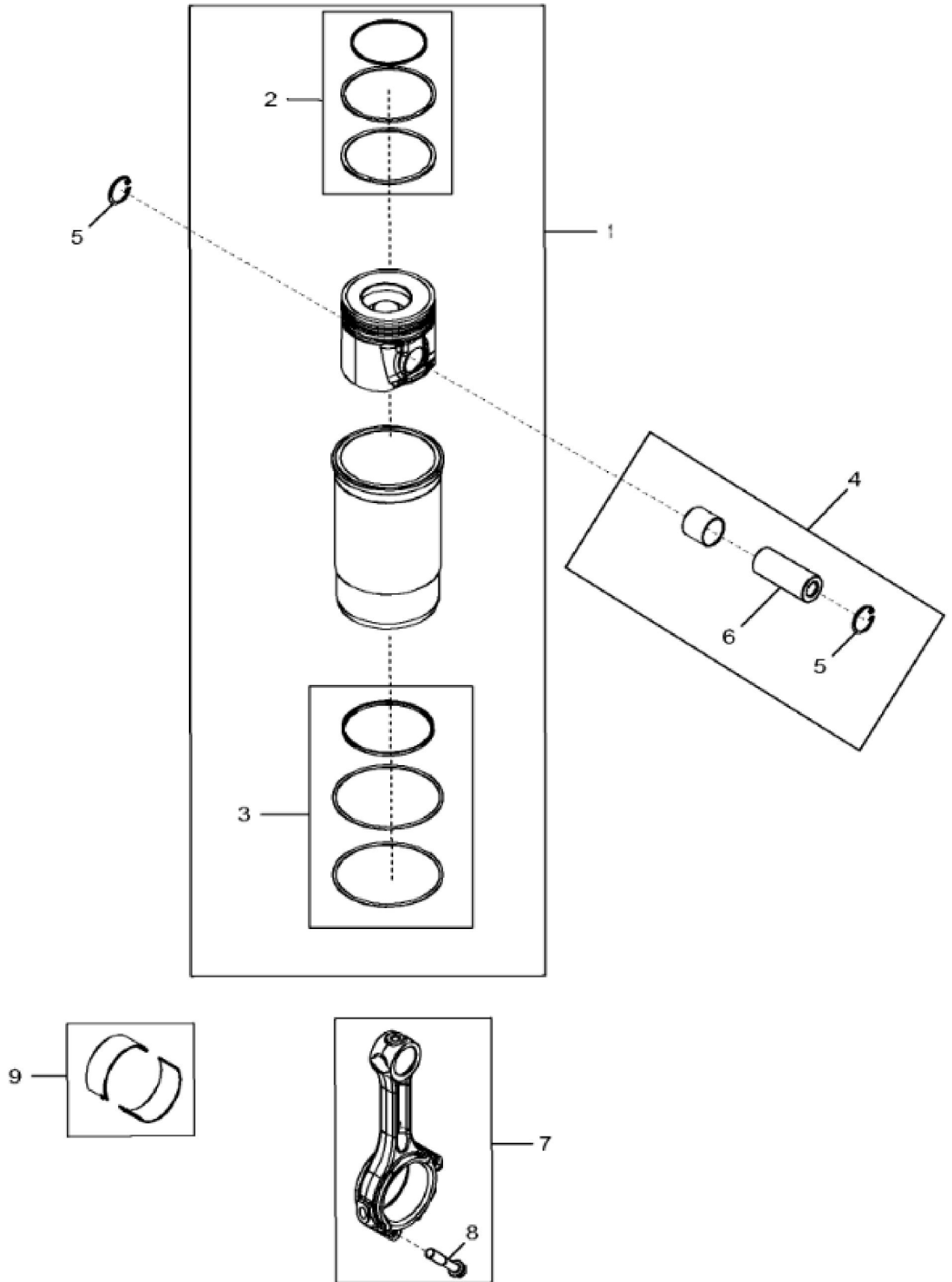
KEY	PART NO.	PART NAME	QTY	REMARKS
1	RE540035	CAMSHAFT	1	
2	26H72	SHAFT KEY	1	1/8" X 5/8"
3	15H695	PIPE PLUG	1	3/8"
4	R54802	ORIFICE	3	
5	RE520768	PISTON-LINER KIT	3	INCLUDES RE562923
6	RE525162	O-RING KIT	3	
7	15H653	PIPE PLUG	1	1"
8	CYLINDER BLOCK	1	ORDER DZ10508
8	DZ10508	SHORT BLOCK ASSEMBLY	1	
9	15H275	PIPE PLUG	1	1/4"
10	T23474	CAP SCREW	8	
11	R26493	BUSHING	1	
12	R119874	BUSHING	1	
13	T23435	THREADED NIPPLE	1	
14	R111137	SPRING	1	
15	R121043	VALVE	1	
16	B153R	DOWEL PIN	2	
17	D2361R	BALL	1	
18	R97185	O-RING	1	
19	RE507807	PIPE PLUG	1	
20	A120R	DOWEL PIN	4	
21	R534150	PLATE	1	
22	19M8999	SCREW	2	M8 X 25
23	T18891	PLUG	2	
24	RE562923	PIN KIT	3	(Not Illustrated)



4728_RE552305_PCD

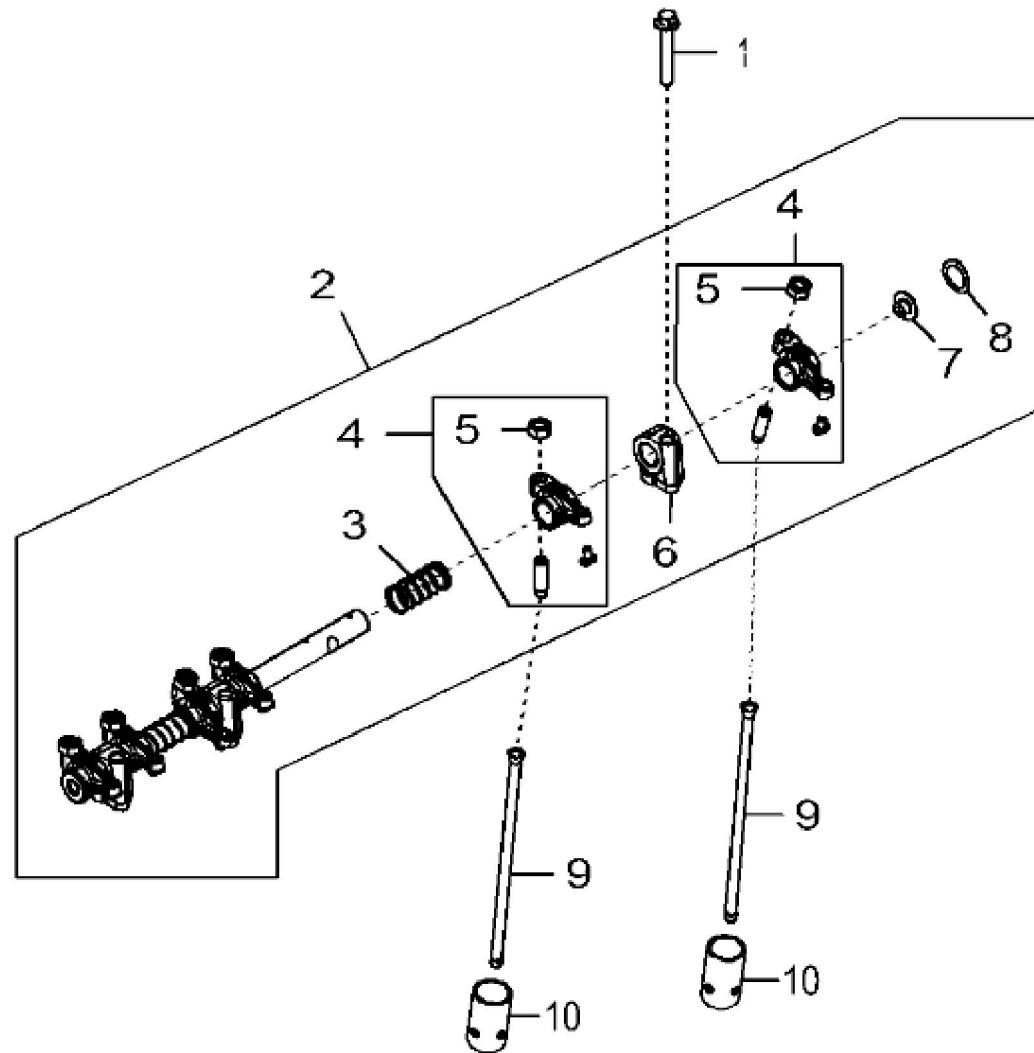
METRIC >ST758744 - 4728 CRANKSHAFT AND BEARINGS

KEY	PART NO.	PART NAME	QTY	REMARKS
1	CRANKSHAFT	1	ORDER RE565459 OR DZ101387 OR DZ10463
1	RE565459	CRANKSHAFT	1	(Only For 5M FT4 Engines) (Not Illustrated) KIT
1	DZ101387	CRANKSHAFT	1	(Only For 5E and OEM FT4 Engines) (Not Illustrated) KIT
1	DZ10463	CRANKSHAFT	1	(Only For Non FT4 3029 Engines) (Not Illustrated) KIT
2	26H72	SHAFT KEY	1	1/8" X 5/8"
3	R538912	GEAR	1	Z = 24; MARKED R542963; SUB FOR APPL R504262 OR R100850
4	A120R	DOWEL PIN	1	
5	R516362	THRUST WASHER	3	
6	AT21140	BEARING	3	KIT; (2) R515304
7	RE57279	BEARING KIT	1	KIT; (2) R515305



METRIC >ST633584 - 4845 CONNECTING RODS AND PISTONS

KEY	PART NO.	PART NAME	QTY	REMARKS	
1	RE544675	PISTON-LINER KIT	3		
2	RE521814	PISTON RING KIT	1		
3	RE525162	O-RING KIT	1		
4	RE562923	PIN KIT	3		
5	40M1856	SNAP RING	6		
6	RE68540	CONNECTING ROD	3	SUB FOR R130145	
7	RE507799	CONNECTING ROD	3		
8	R516517	SCREW	2		
8	R80033	CAP SCREW	2	(For India Market Only)	
9	RE27348	BEARING KIT	3		



Thank you so much for reading.
Please click the “Buy Now!”
button below to download the
complete manual.



After you pay.

You can download the most
perfect and complete manual in
the world immediately.

Our support email:

ebooklibonline@outlook.com