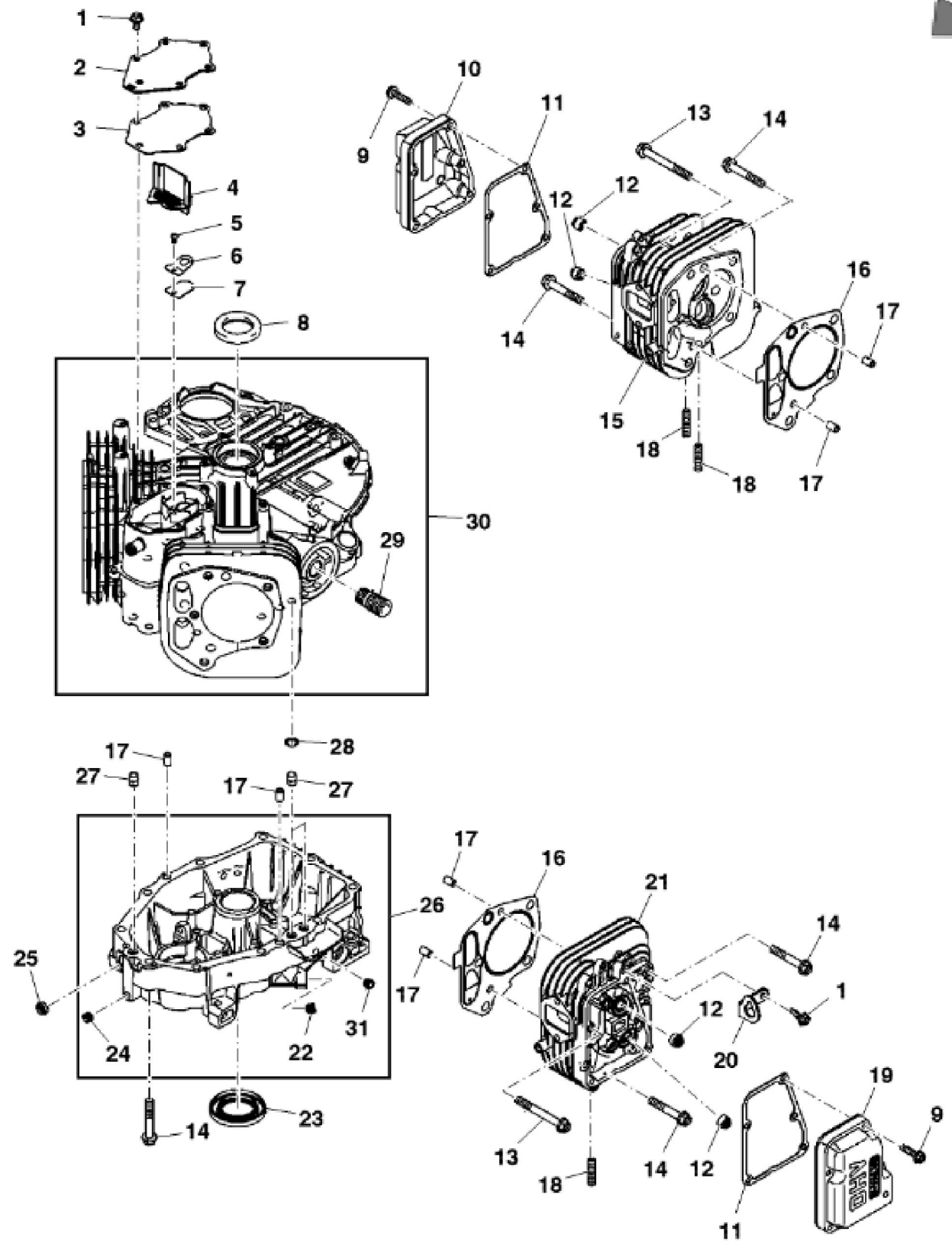


PU20812

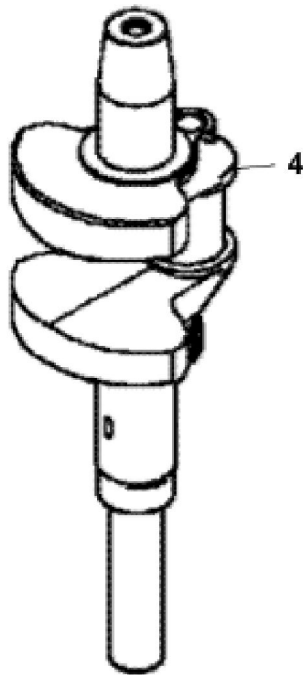
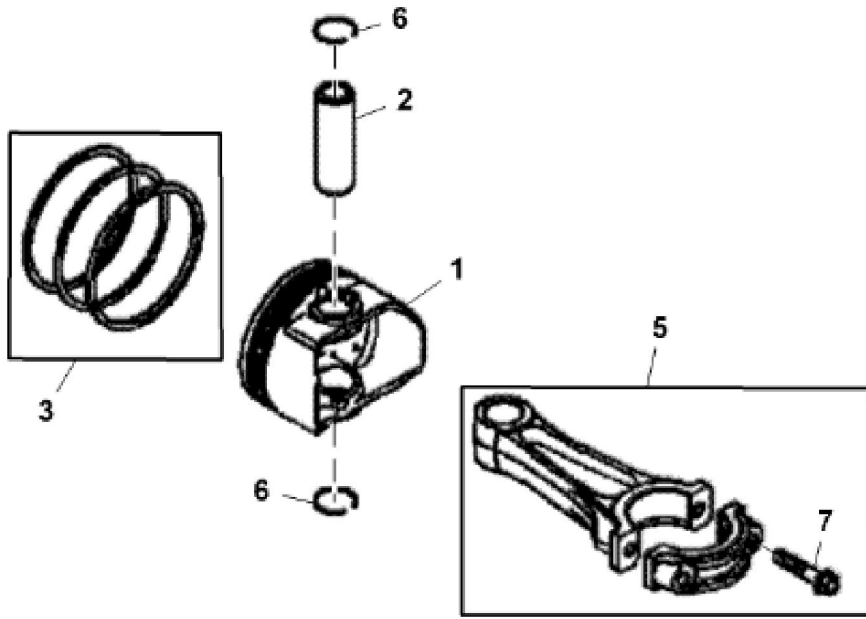
KEY	PART NO.	PART NAME	QTY	REMARKS
1	H77698	TIE BAND	1	
2	M155077	CLAMP	1	
3	GX24210	SCREW	4	9.525 X 29.580 mm (3/8" X 1.165")
4	MIA12531	GASOLINE ENGINE	1	MARKED FS600V-BS21R; Kawasaki
5	N309660	LOCK NUT	1	6.350 mm (1/4")
6	19M7865	SCREW	3	M8 X 16
7	M161292	GUARD	1	Fuel Line
8	AM140333	ACCELERATOR	1	Throttle Assembly
9	AM147573	CLAMP	1	Assembly, Double Tube
10	37M7510	SCREW	4	M6 X 16
11	M136651	GASKET	2	



GU21327A02

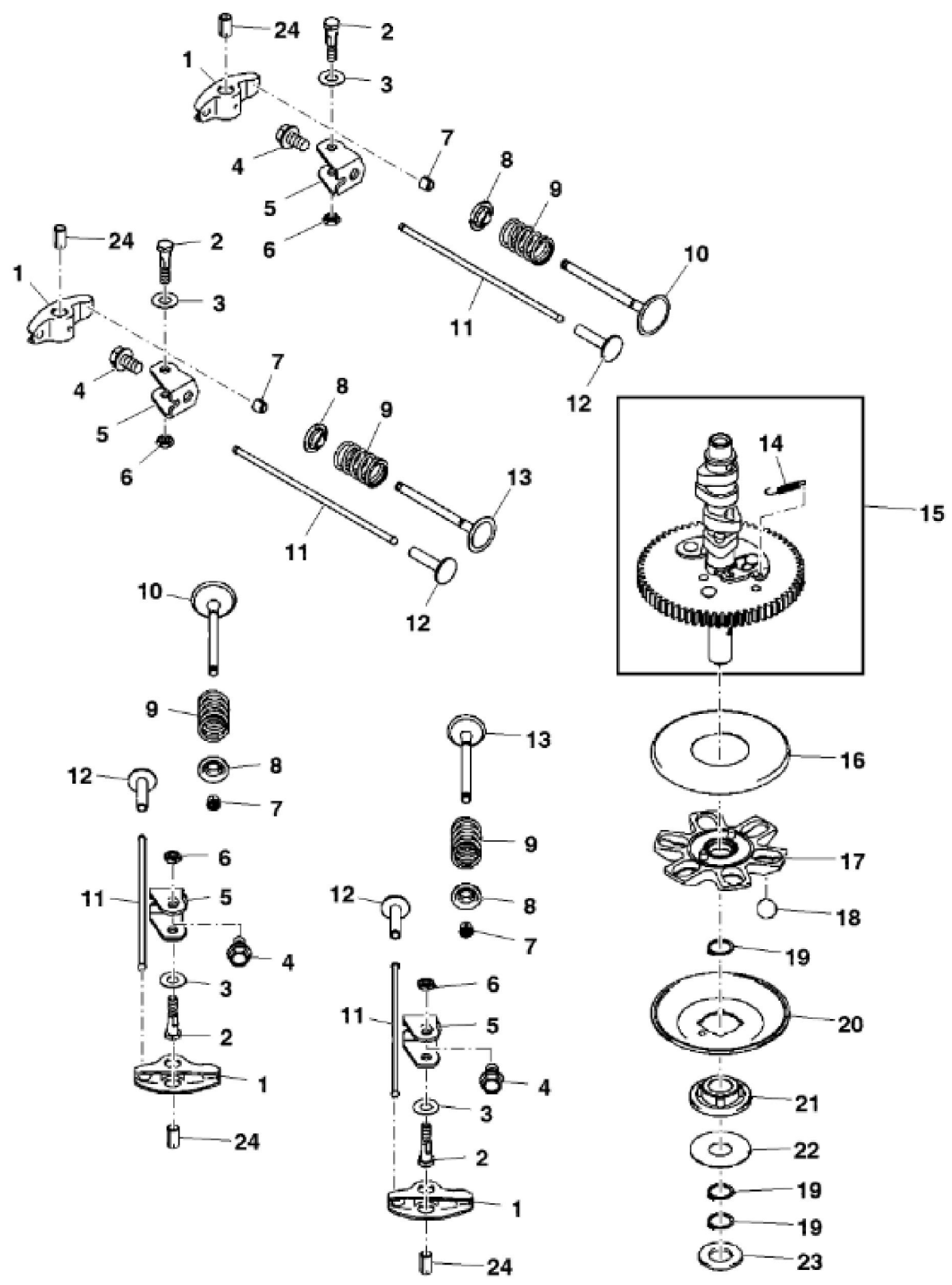
John Deere > Turf And Utility >TRACTOR, LAWN AND GARDEN >X350 - TRACTOR, LAWN AND GARDEN >X350 Lawn and Garden Tractor >20 ENGINE, FS600V-BS21R MM18192 >ST853446 - CYLINDER HEAD / CRANKCASE

KEY	PART NO.	PART NAME	QTY	REMARKS
1	MIU11325	BOLT	7	
2	MIU12397	COVER	1	Breather
3	MIU12395	GASKET	1	Breather
4	MIU12398	PIPE	1	Breather
5	21M7244	SCREW	3	M4 X 8
6	MIU13821	PLATE	1	
7	MIU11769	VALVE	1	Breather
8	M149281	SEAL	1	
9	19M7863	SCREW	10	M6 X 25
10	MIU13778	CASE	1	Rocker No. 1
11	MIU12394	GASKET	2	Rocker Case
12	M138389	SEAL	4	
13	19M7803	SCREW	6	M8 X 70
14	19M8319	SCREW	14	M8 X 50
15	MIU12516	CYLINDER HEAD	1	No. 1
16	MIU12515	GASKET	2	Head
17	M74252	PIN	6	
18	MIU12726	STUD	4	
19	MIU14499	COVER	1	Rocker
20	MIU13780	HOOK	1	Lift
21	MIU12517	CYLINDER HEAD	1	No. 2
22	MIU14001	PLUG	1	
23	MIU12400	SEAL	1	
24	MIU12401	PLUG	1	
25	M151774	SEAL	1	
26	MIA12753	CRANKCASE	1	Cover
27	MIU14507	PIPE	3	
28	M76104	O-RING	2	
29	MIU13767	ADAPTER FITTING	1	
30	MIA12356	CRANKCASE	1	Component
31	M123645	DRAIN PLUG	1	



John Deere > Turf And Utility >TRACTOR, LAWN AND GARDEN >X350 - TRACTOR, LAWN AND GARDEN >X350 Lawn and Garden Tractor >20 ENGINE, FS600V-BS21R MM18192 >ST853445 - PISTON / CRANKSHAFT

KEY	PART NO.	PART NAME	QTY	REMARKS	
1	MIU12518	PISTON	2		
1	MIU12523	PISTON	1	0.50 mm	
2	M138397	PISTON PIN	2		
3	MIU12521	PISTON RING KIT	2		
3	MIU12522	PISTON RING	1	0.50 mm	
4	MIU14401	CRANKSHAFT	1		
5	MIA11690	CONNECTING ROD	2		
6	M138398	SNAP RING	4		
7	M146763	BOLT	4	Connecting Rod	



Thank you so much for reading.  
Please click the “Buy Now!”  
button below to download the  
complete manual.



After you pay.

You can download the most  
perfect and complete manual in  
the world immediately.

Our support email:

[ebooklibonline@outlook.com](mailto:ebooklibonline@outlook.com)