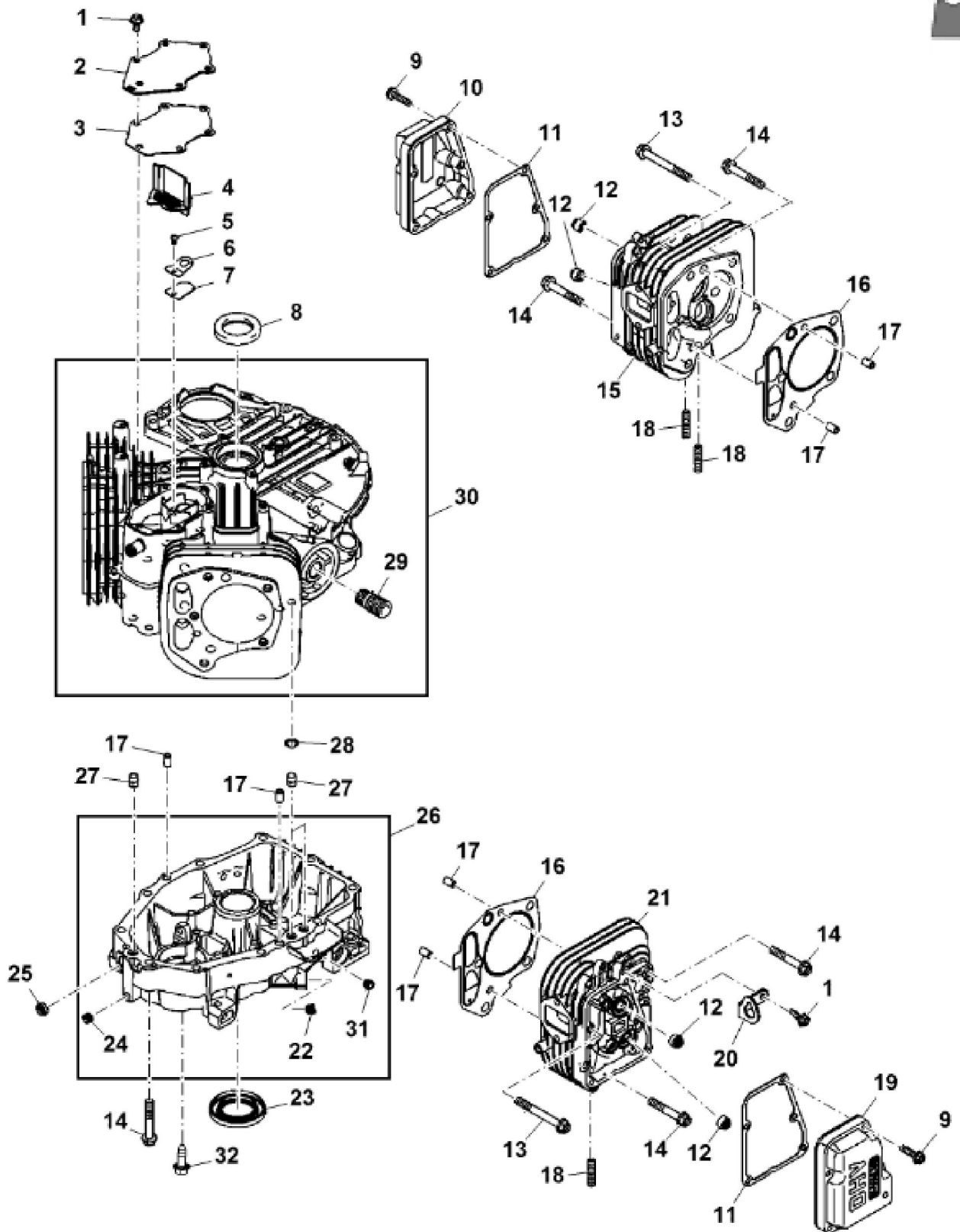


MM16395AR102

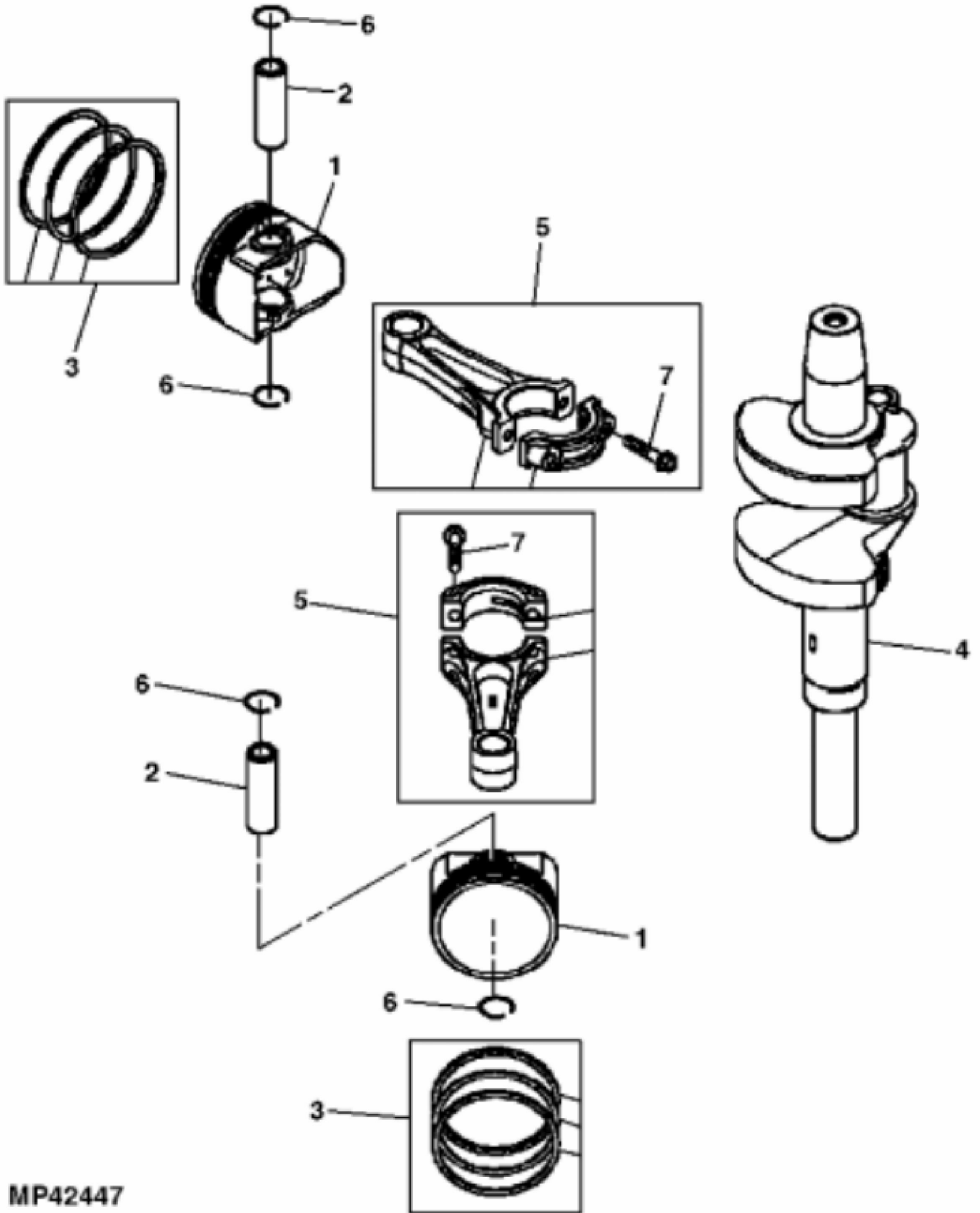
John Deere > Turf And Utility >TRACTOR, LAWN AND GARDEN >X350R - TRACTOR, LAWN AND GARDEN >X350R Lawn and Garden Tractor >20 ENGINE MM18193, MM18197 >ST842421 - ENGINE AND THROTTLE ASSEMBLY

KEY	PART NO.	PART NAME	QTY	REMARKS
1	H77698	TIE BAND	1	
2	M155077	CLAMP	1	
3	GX24210	SCREW	4	9.525 X 29.580 mm (3/8" X 1.165")
4	MIA12532	GASOLINE ENGINE	1	MARKED FS600V-BS20R; Kawasaki
5	N309660	LOCK NUT	1	6.350 mm (1/4")
6	19M7865	SCREW	3	M8 X 16
7	M161292	GUARD	1	Fuel Line
8	AM140333	ACCELERATOR	1	Throttle Assembly
9	AM147573	CLAMP	1	Assembly, Double Tube
10	37M7510	SCREW	4	M6 X 16
11	M136651	GASKET	2	



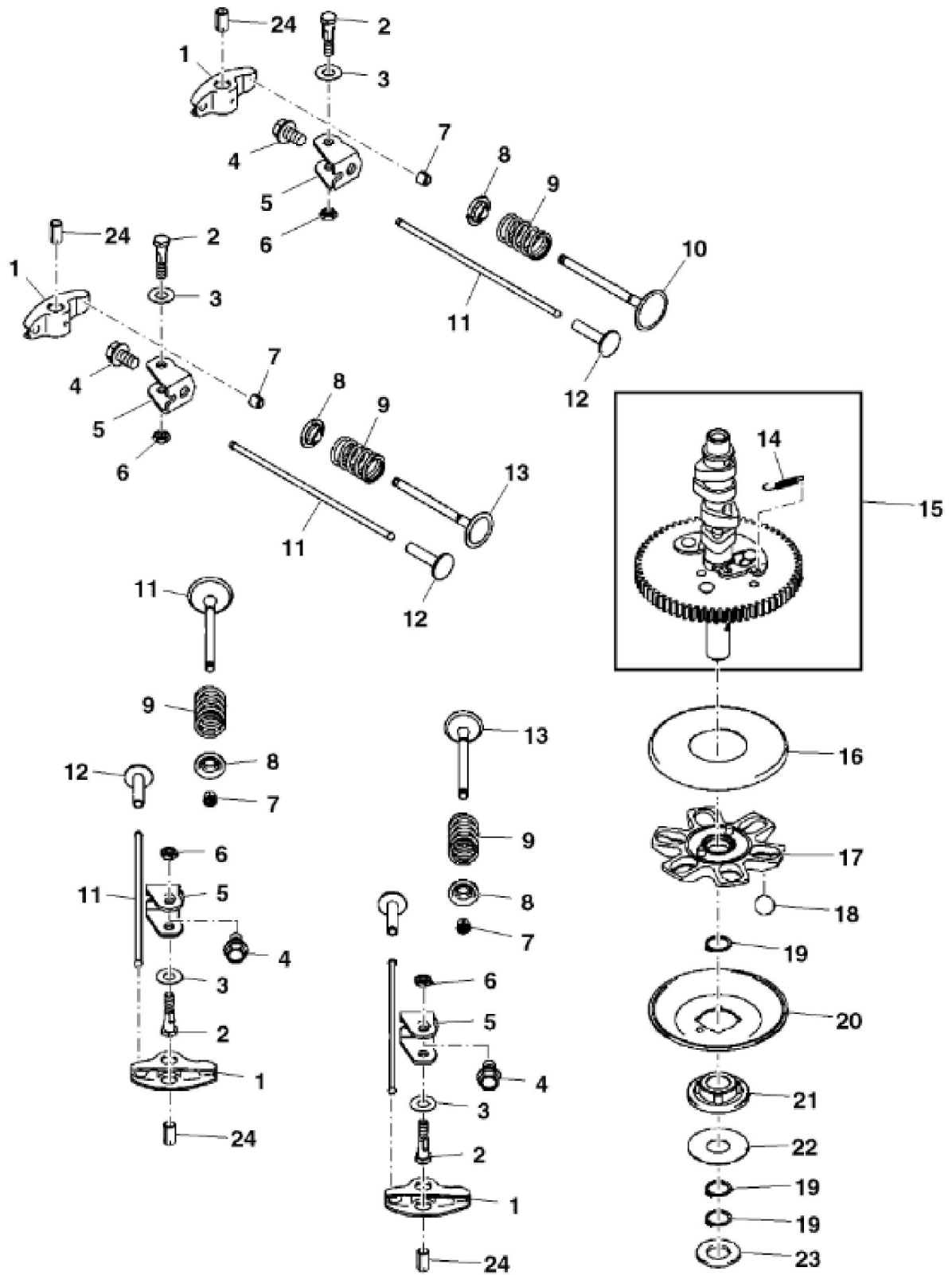
John Deere > Turf And Utility >TRACTOR, LAWN AND GARDEN >X350R - TRACTOR, LAWN AND GARDEN >X350R Lawn and Garden Tractor >20 ENGINE MM18193, MM18197 >ST853457 - CYLINDER HEAD / CRANKCASE

KEY	PART NO.	PART NAME	QTY	REMARKS
1	MIU11325	BOLT	1	
2	MIU12397	COVER	1	Breather
3	MIU12395	GASKET	1	Breather
4	MIU12398	PIPE	1	
5	21M7244	SCREW	3	M4 X 8
6	MIU13821	PLATE	1	
7	MIU11769	VALVE	1	Breather
8	M149281	SEAL	1	
9	19M7863	SCREW	10	M6 X 25
10	MIU13778	CASE	1	Rocker No. 1
11	MIU12394	GASKET	2	Rocker Case
12	M138389	SEAL	4	
13	19M7803	SCREW	6	M8 X 70
14	19M8319	SCREW	14	M8 X 50
15	MIU12516	CYLINDER HEAD	1	Cylinder No. 1
16	MIU12515	GASKET	2	
17	M74252	PIN	6	
18	MIU12726	STUD	4	
19	MIU14499	COVER	1	Rocker
20	MIU13780	HOOK	1	Lift
21	MIU12517	CYLINDER HEAD	1	Cylinder No. 2
22	MIU14001	PLUG	1	
23	MIU12400	SEAL	1	
24	MIU12401	PLUG	1	
25	M151774	SEAL	1	
26	MIA12753	CRANKCASE	1	INCLUDES MIU12401, MIU14001 AND M123645
27	MIU14507	PIPE	1	
28	M76104	O-RING	2	
29	MIU13767	ADAPTER FITTING	1	
30	MIA12356	CRANKCASE	1	
31	M123645	DRAIN PLUG	1	Fitting
32	GX24210	SCREW	4	



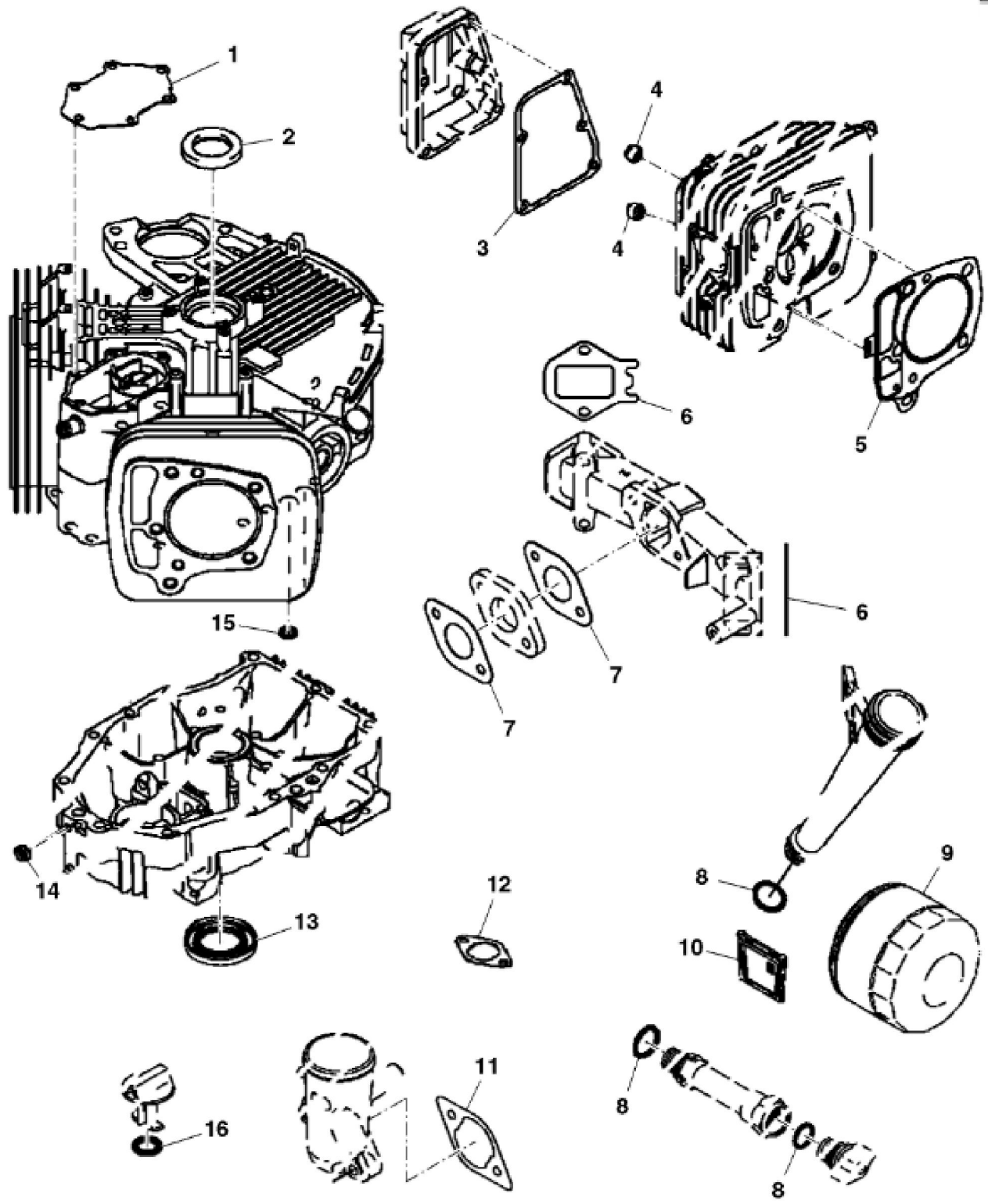
MP42447

KEY	PART NO.	PART NAME	QTY	REMARKS	
1	MIU12518	PISTON	2	STD	
1	MIU12523	PISTON	1	0.50 mm, OS	
2	M138397	PISTON PIN	2		
3	MIU12521	PISTON RING KIT	2	STD	
3	MIU12522	PISTON RING	1	0.50 mm, OS	
4	MIU14401	CRANKSHAFT	1		
5	MIA11690	CONNECTING ROD	2		
6	M138398	SNAP RING	4		
7	M146763	BOLT	2		



John Deere > Turf And Utility >TRACTOR, LAWN AND GARDEN >X350R - TRACTOR, LAWN AND GARDEN >X350R Lawn and Garden Tractor >20 ENGINE MM18193, MM18197 >ST853439 - CAMSHAFT / VALVES

KEY	PART NO.	PART NAME	QTY	REMARKS
1	MIU14434	ROCKER ARM	4	
2	MIU11795	BOLT	4	
3	M147320	WASHER	4	
4	MIU11744	BOLT	4	
5	MIU11783	BRACKET	4	
6	14M7272	NUT	4	M6
7	M118845	RETAINER	8	
8	M138401	RETAINER	4	Valve Spring
9	M140241	SPRING	4	Engine Valve
10	MIU12525	INTAKE VALVE	2	Engine Valve
11	MIU12527	PUSH ROD	4	
12	M138403	TAPPET	4	
13	MIU12526	EXHAUST VALVE	2	
14	M138413	EXTENSION SPRING	1	
15	MIA11691	CAMSHAFT	1	
16	M140240	PLATE	1	
17	MIU12411	GUIDE	1	Governor
18	MIU10971	BALL	6	
19	MIU14000	SNAP RING	2	
20	M146880	PLATE	1	
21	MIU13044	SLEEVE	1	
22	M146882	WASHER	1	
23	MIU12413	WASHER	1	
24	MIU13989	SLEEVE	4	Collar



Thank you so much for reading.
Please click the “Buy Now!”
button below to download the
complete manual.



After you pay.

You can download the most
perfect and complete manual in
the world immediately.

Our support email:

ebooklibonline@outlook.com