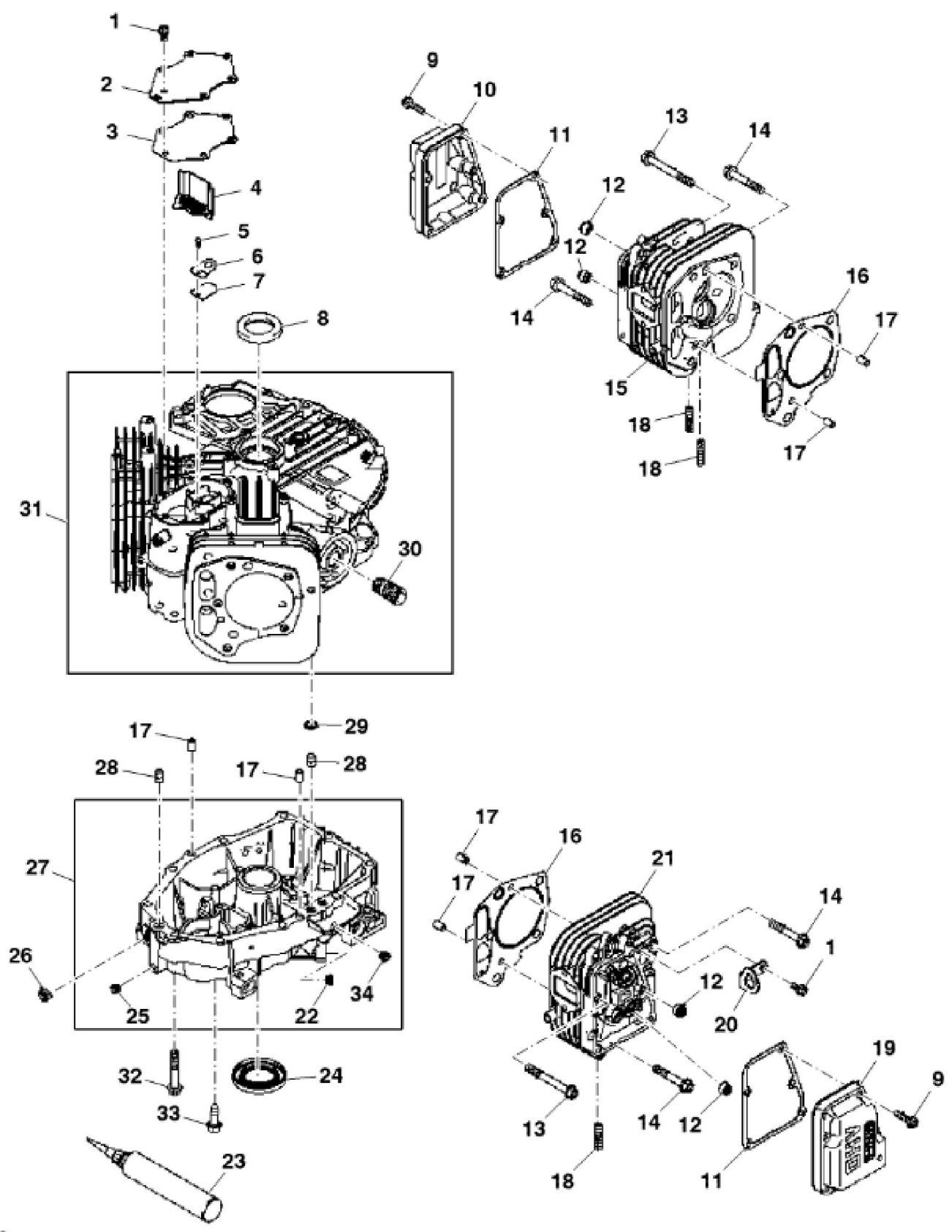


PU20813

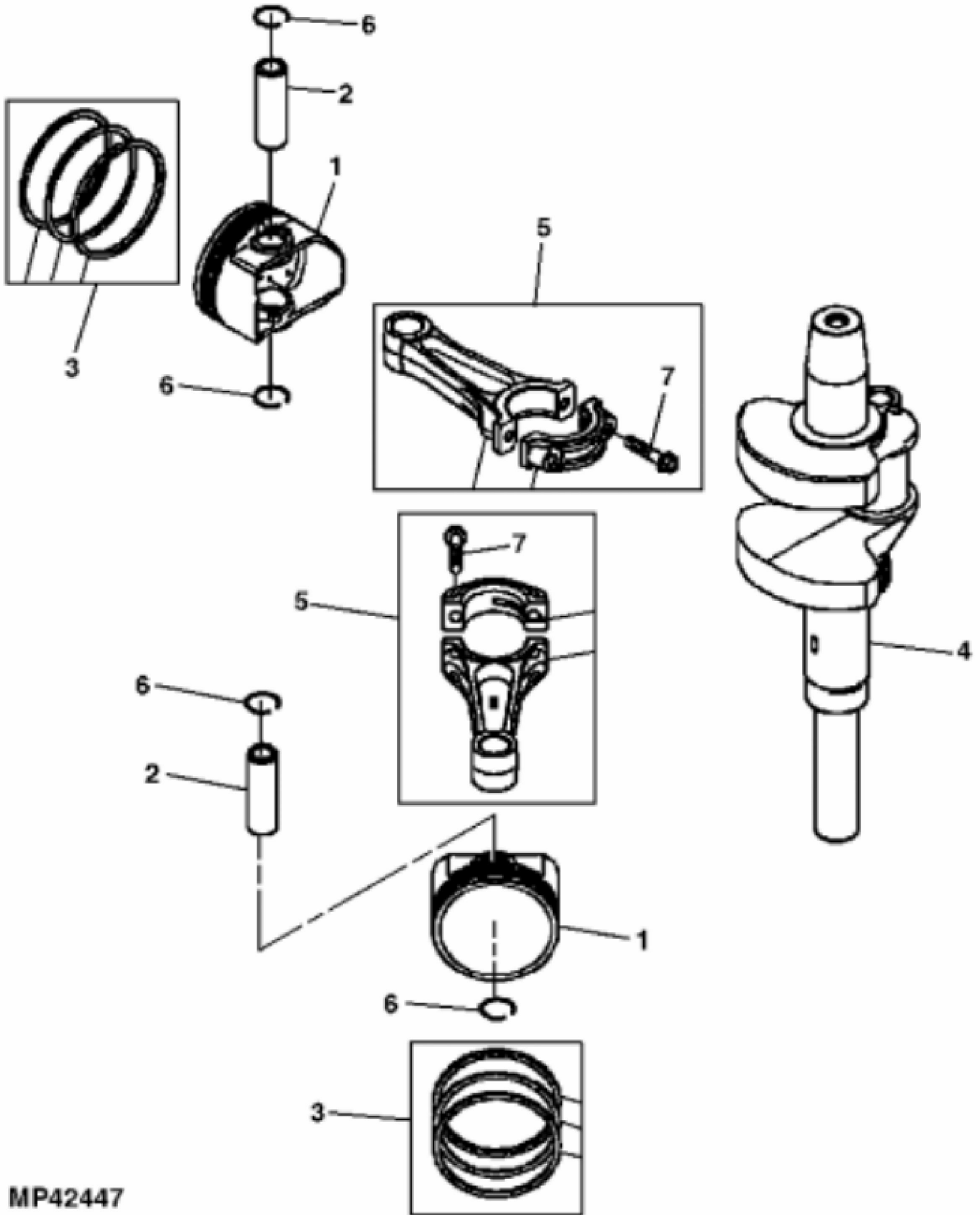
John Deere > Turf And Utility >TRACTOR, LAWN AND GARDEN >X380 - TRACTOR, LAWN AND GARDEN >X380 Lawn and Garden Tractor >20 ENGINE MM18194, MM18198 >ST842433 - ENGINE AND THROTTLE ASSEMBLY

KEY	PART NO.	PART NAME	QTY	REMARKS
1	H77698	TIE BAND	1	
2	N309660	LOCK NUT	1	
3	GX24210	SCREW	4	9.525 X 29.580 mm (3/8" X 1.165")
4	MIA12529	GASOLINE ENGINE	1	MARKED FS651V-ES05R; Kawasaki
5	19M7865	SCREW	3	M8 X 16
6	M162896	GUARD	1	Fuel Line
7	M155077	CLAMP	1	
8	AM140333	ACCELERATOR	1	Throttle Assembly
9	AM147573	CLAMP	1	Assembly, Double Tube
10	37M7510	SCREW	4	M6 X 16
11	M136651	GASKET	2	



John Deere > Turf And Utility >TRACTOR, LAWN AND GARDEN >X380 - TRACTOR, LAWN AND GARDEN >X380 Lawn and Garden Tractor >20 ENGINE MM18194, MM18198 >ST853478 - CYLINDER HEAD AND CRANKCASE

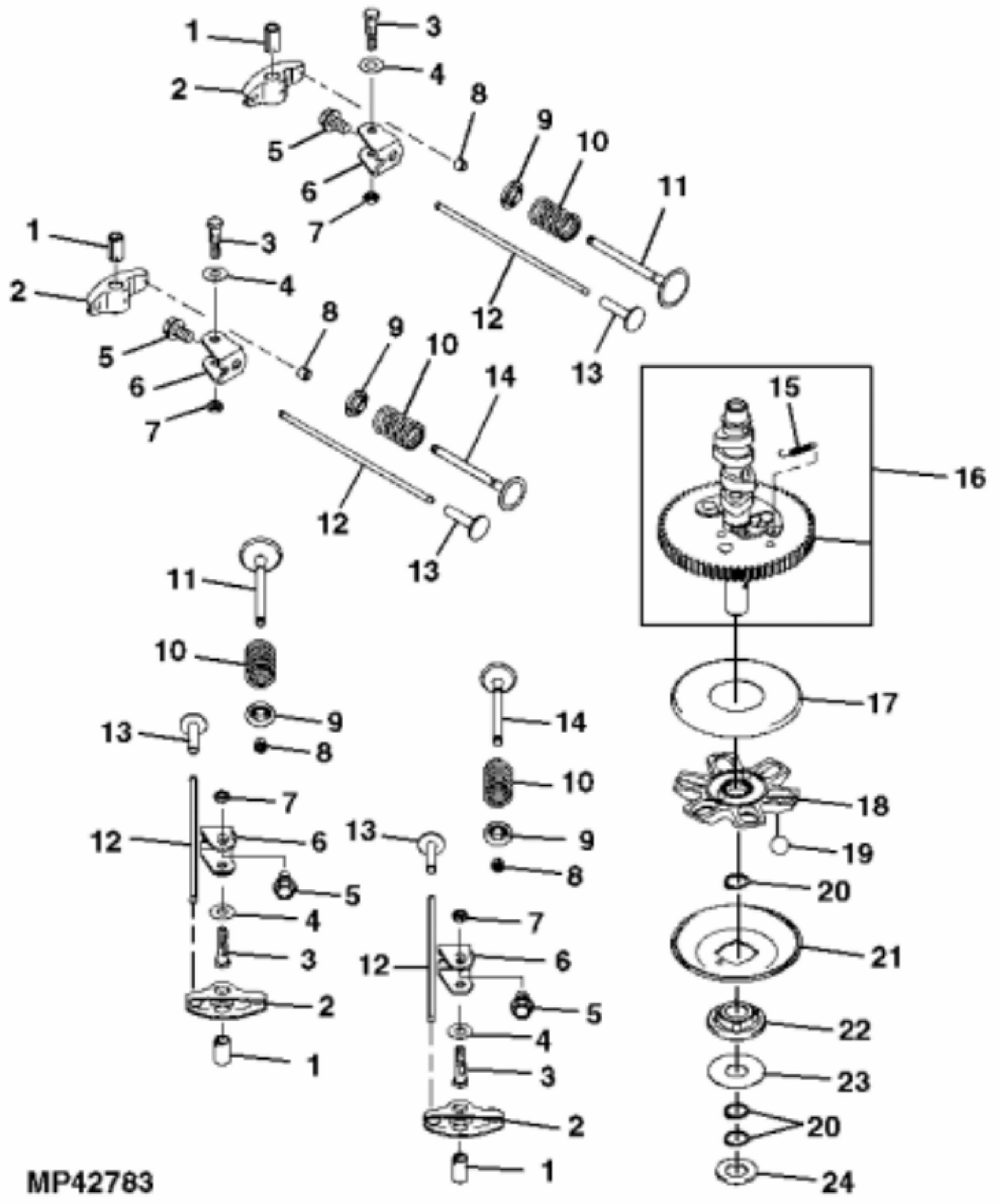
KEY	PART NO.	PART NAME	QTY	REMARKS
1	MIU11325	BOLT	7	
2	MIU12397	COVER	1	Breather
3	MIU12395	GASKET	1	Breather
4	MIU12398	PIPE	1	
5	21M7244	SCREW	1	M4 X 8
6	MIU13821	PLATE	1	
7	MIU11769	VALVE	1	Breather
8	M149281	SEAL	1	
9	19M7863	SCREW	10	M6 X 25
10	MIU13778	CASE	1	Rocker No.1
11	MIU12394	GASKET	2	Rocker Case
12	M138389	SEAL	4	
13	MIU12209	BOLT	6	
14	MIU11776	BOLT	4	
15	MIU12390	CYLINDER HEAD	1	No. 1
16	MIU12396	ENGINE CYLINDER HEAD GASKET	2	
17	M74252	PIN	6	
18	MIU12726	STUD	4	
19	MIU14499	COVER	1	
20	MIU13780	HOOK	1	Lift
21	MIU12391	CYLINDER HEAD	1	No. 2
22	MIU14001	PLUG	1	
23	M64850	SEALANT	AR	
24	MIU12400	SEAL	1	
25	MIU12401	PLUG	1	
26	M151774	SEAL	1	
27	MIA12754	CRANKCASE	1	
28	MIU14507	PIPE	3	
29	M76104	O-RING	2	
30	MIU13767	ADAPTER FITTING	1	
31	MIA12337	CRANKCASE	1	
32	19M8319	SCREW	10	M8 X 50
33	GX24210	SCREW	4	
34	M123645	DRAIN PLUG	1	



MP42447

John Deere > Turf And Utility >TRACTOR, LAWN AND GARDEN >X380 - TRACTOR, LAWN AND GARDEN >X380 Lawn and Garden Tractor >20 ENGINE MM18194, MM18198 >ST853485 - PISTON / CRANKSHAFT

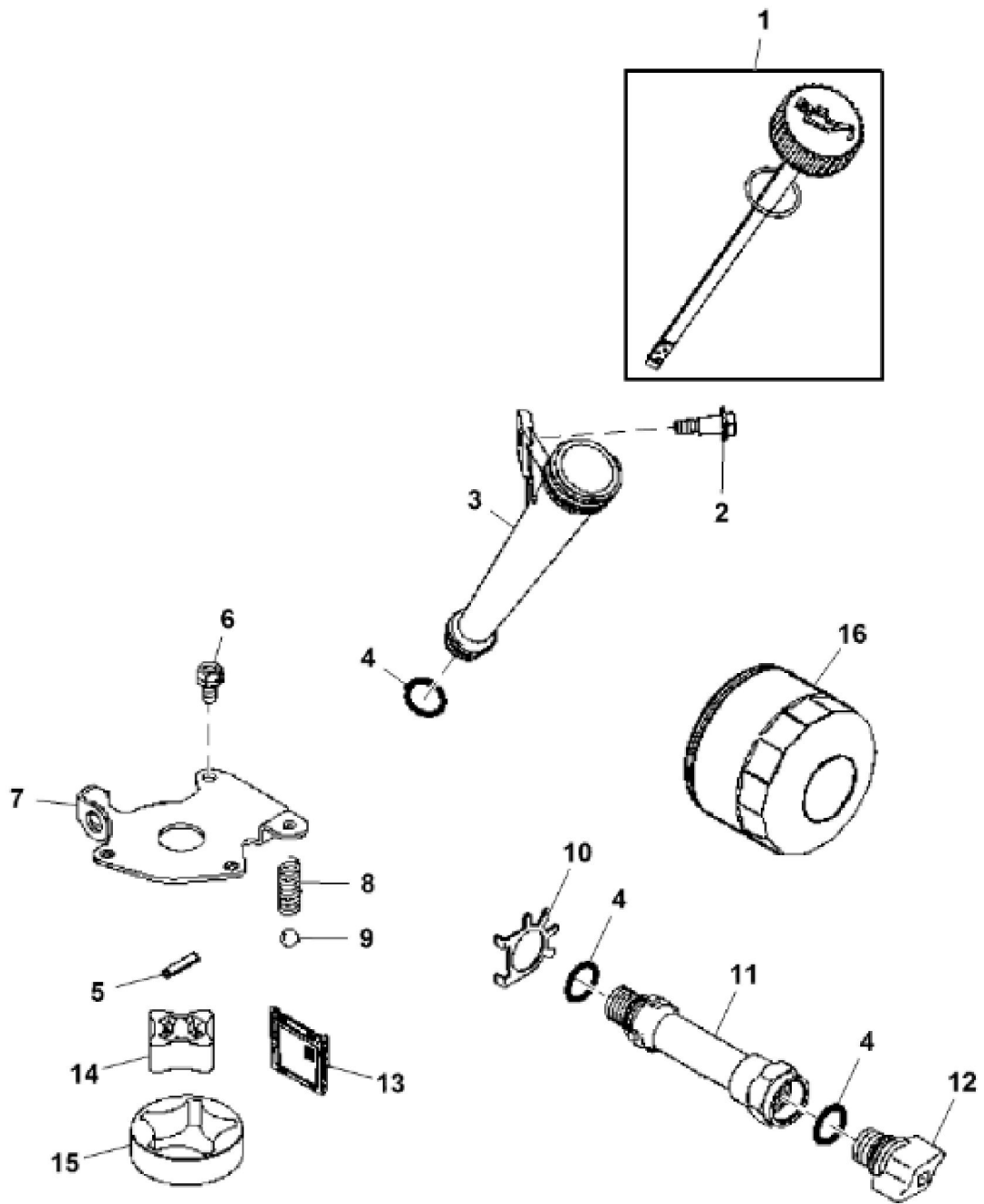
KEY	PART NO.	PART NAME	QTY	REMARKS	
1	MIU12403	PISTON	2	STD	
2	MIU13270	PISTON PIN	2		
3	MIU12405	PISTON RING KIT	2	STD	
4	MIU13077	CRANKSHAFT	1		
5	MIA11615	CONNECTING ROD	2		
6	MIU12408	SNAP RING	4		
7	M146763	BOLT	2		



MP42783

John Deere > Turf And Utility >TRACTOR, LAWN AND GARDEN >X380 - TRACTOR, LAWN AND GARDEN >X380 Lawn and Garden Tractor >20 ENGINE MM18194, MM18198 >ST853486 - CAMSHAFT AND VALVES

KEY	PART NO.	PART NAME	QTY	REMARKS
1	MIU13989	SLEEVE	4	
2	MIU14434	ROCKER ARM	4	
3	MIU11795	BOLT	4	
4	M147320	WASHER	4	
5	MIU11744	BOLT	4	
6	MIU11783	BRACKET	4	
7	14M7272	NUT	4	M6
8	M118845	RETAINER	8	
9	M138401	RETAINER	4	
10	M140241	SPRING	4	
11	MIU14406	INTAKE VALVE	2	
12	MIU14485	ROD	4	
13	M138403	TAPPET	4	
14	MIU14407	EXHAUST VALVE	2	
15	M138413	EXTENSION SPRING	1	
16	MIA11616	CAMSHAFT	1	
17	M140240	PLATE	1	
18	MIU12411	GUIDE	1	
19	MIU10971	BALL	6	
20	MIU14000	SNAP RING	3	
21	M146880	PLATE	1	
22	MIU13044	SLEEVE	1	
23	M146882	WASHER	1	
24	MIU12413	WASHER	1	



MX279862

Thank you so much for reading.  
Please click the “Buy Now!”  
button below to download the  
complete manual.



After you pay.

You can download the most  
perfect and complete manual in  
the world immediately.

Our support email:

[ebooklibonline@outlook.com](mailto:ebooklibonline@outlook.com)