

PU20816

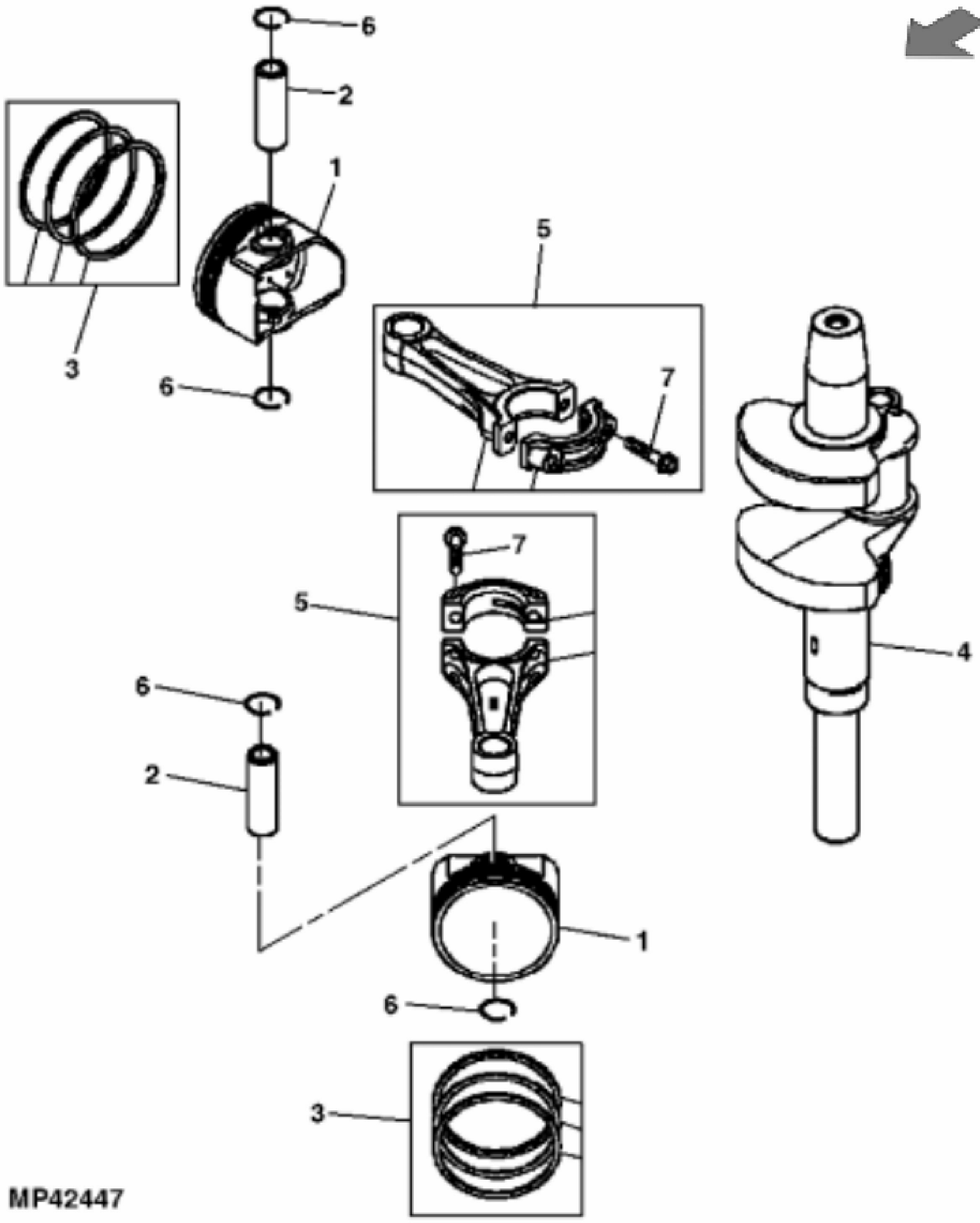
John Deere > Turf And Utility >TRACTOR, LAWN AND GARDEN >X584 - TRACTOR, LAWN AND GARDEN >X584 Lawn and Garden Tractor >20 ENGINE MM18195, MM18199 >ST842432 - ENGINE AND THROTTLE ASSEMBLY

KEY	PART NO.	PART NAME	QTY	REMARKS
1	H77698	TIE BAND	1	
2	GX24210	SCREW	4	9.525 X 29.580 mm (3/8" X 1.165")
3	MIA12530	GASOLINE ENGINE	1	MARKED FS730V-DS07R; Kawasaki
4	M162896	GUARD	1	Fuel Line
5	14M7298	FLANGE NUT	1	M8
6	19M7865	SCREW	3	M8 X 16
7	M155077	CLAMP	1	
8	AM140333	ACCELERATOR	1	Throttle Assembly
9	AM147573	CLAMP	1	Assembly, Double Tube
10	37M7510	SCREW	4	M6 X 16
11	M136651	GASKET	2	



John Deere > Turf And Utility >TRACTOR, LAWN AND GARDEN >X584 - TRACTOR, LAWN AND GARDEN >X584 Lawn and Garden Tractor >20 ENGINE MM18195, MM18199 >ST853428 - CYLINDER HEAD AND CRANKCASE

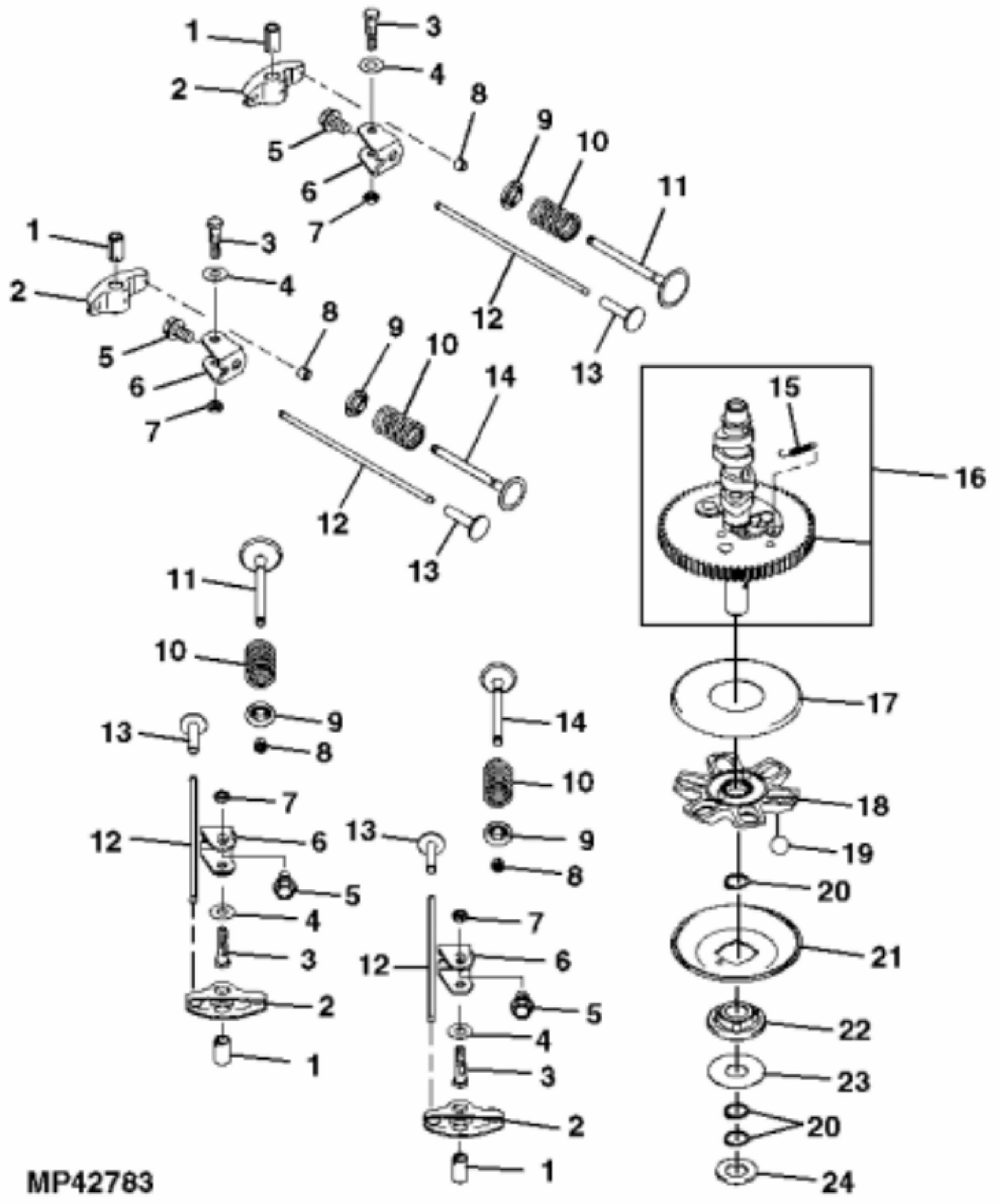
KEY	PART NO.	PART NAME	QTY	REMARKS
1	MIU11325	BOLT	6	
2	MIU12397	COVER	1	Breather
3	MIU12395	GASKET	1	Breather
4	MIU12398	PIPE	1	
5	21M7244	SCREW	1	M4 X 8
6	MIU13821	PLATE	1	
7	MIU11769	VALVE	1	Breather
8	M149281	SEAL	1	
9	19M7863	SCREW	10	M6 X 25
10	MIU13778	CASE	1	Rocker No. 1
11	MIU12394	GASKET	2	Rocker Case
12	M138389	SEAL	4	
13	MIU12209	BOLT	6	
13	19M8319	SCREW	10	M8 X 50
14	MIU11776	BOLT	4	
15	MIU12390	CYLINDER HEAD	1	NO. 1
16	MIU12396	ENGINE CYLINDER HEAD GASKET	2	
17	M74252	PIN	6	
18	MIU12726	STUD	4	
19	MIU14499	COVER	1	Rocker
20	M123645	DRAIN PLUG	1	
21	MIU12391	CYLINDER HEAD	1	NO. 2
22	MIU14001	PLUG	1	
23	MIA12337	CRANKCASE	1	
24	MIU12400	SEAL	1	
25	MIU12401	PLUG	1	
26	M151774	SEAL	1	
27	MIA12754	CRANKCASE	1	
28	MIU14507	PIPE	3	
29	M76104	O-RING	2	
30	MIU13767	ADAPTER FITTING	1	



MP42447

John Deere > Turf And Utility >TRACTOR, LAWN AND GARDEN >X584 - TRACTOR, LAWN AND GARDEN >X584 Lawn and Garden Tractor >20 ENGINE MM18195, MM18199 >ST853437 - PISTON AND CRANKSHAFT

KEY	PART NO.	PART NAME	QTY	REMARKS	
1	MIU12403	PISTON	2	STD	
2	MIU13270	PISTON PIN	2		
3	MIU12405	PISTON RING KIT	2	STD	
4	MIU13077	CRANKSHAFT	1		
5	MIA11615	CONNECTING ROD	2		
6	MIU12408	SNAP RING	4		
7	M146763	BOLT	2		



MP42783

Thank you so much for reading.  
Please click the “Buy Now!”  
button below to download the  
complete manual.



After you pay.

You can download the most  
perfect and complete manual in  
the world immediately.

Our support email:

[ebooklibonline@outlook.com](mailto:ebooklibonline@outlook.com)