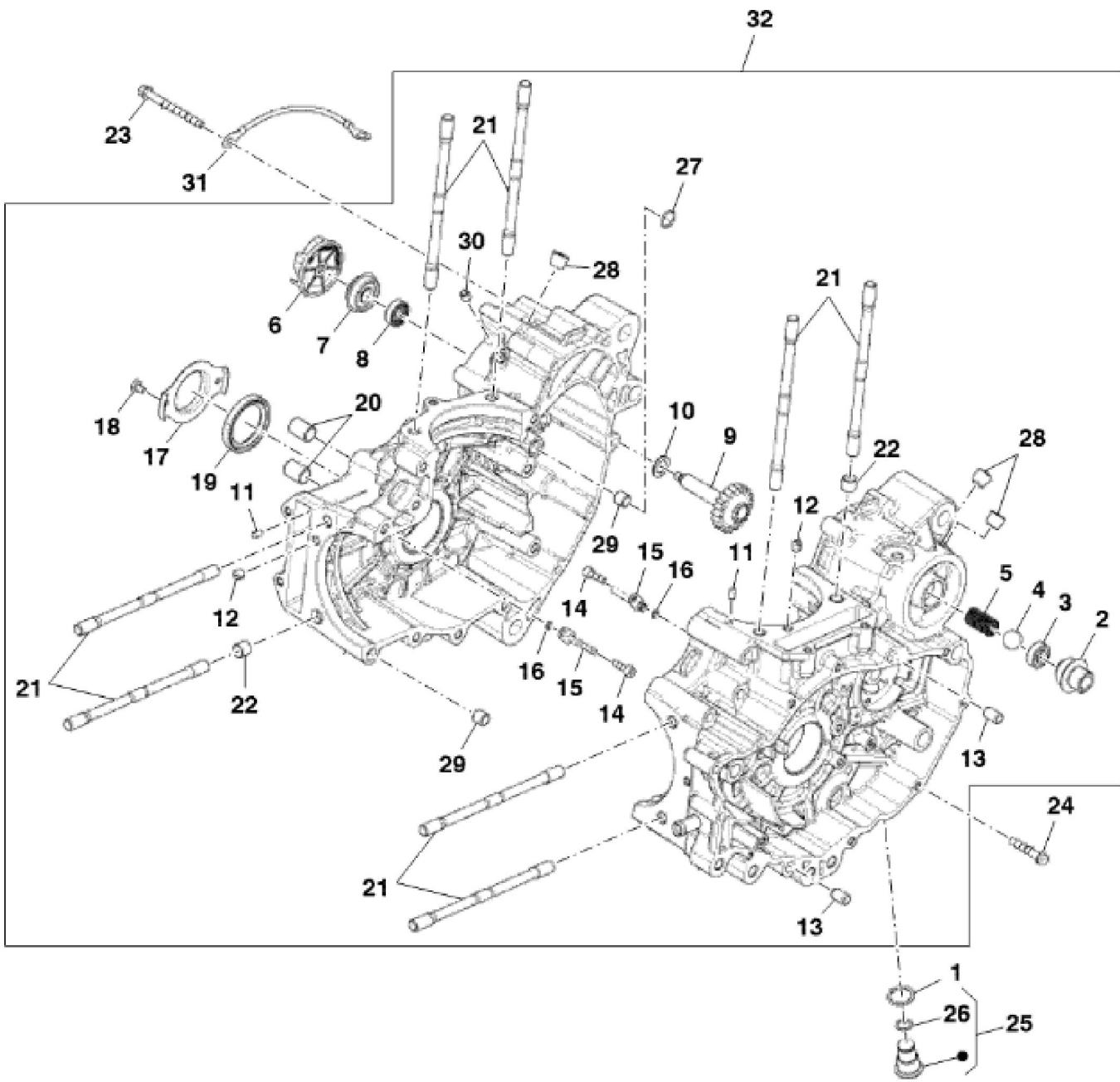


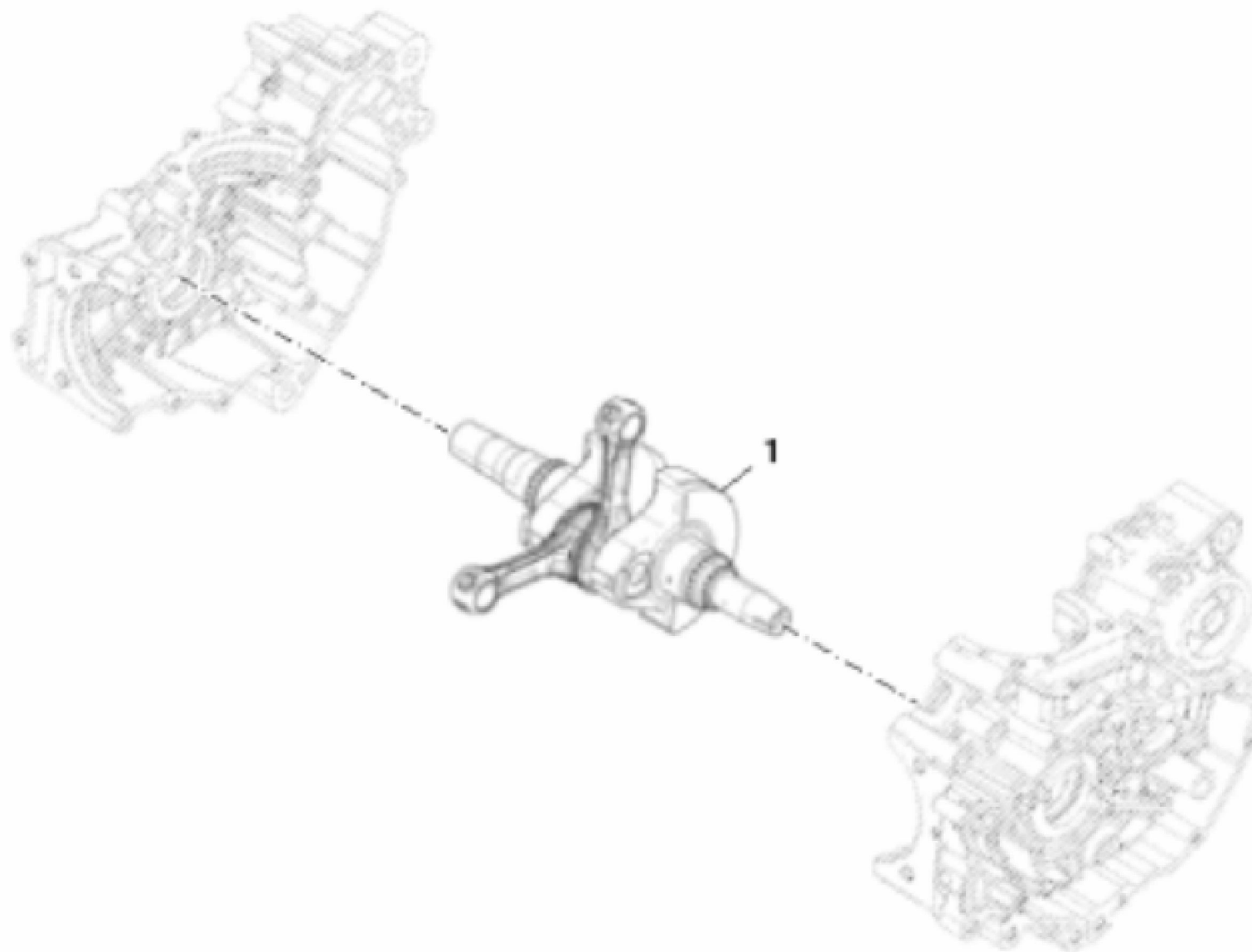
PU16064

KEY	PART NO.	PART NAME	QTY	REMARKS	
1	AM147702	GASOLINE ENGINE	1	ECU requires 860i Service Advisor payload update; INCLUDES MIA12513 AND AM145365; SUB FOR MIA12513	
2	M162505	INTAKE MANIFOLD	1		
3	M162585	HOSE CLAMP	2		
4	M161365	BRACKET	1	Support	
5	M161366	BRACKET	1	Trans Support	
6	19M8528	SCREW	4	M10 X 55	
7	19M7785	SCREW	6	M10 X 25	
8	M163016	BRACKET	1		
9	19M7838	SCREW	2	M12 X 130	
10	14M7299	FLANGE NUT	4	M12	
11	19M7788	SCREW	2	M12 X 25	
12	M169679	BAND	4		
13	19M9478	SCREW	3	M5 X 16	
14	AM145365	OIL FILTER	1	Not illustrated	



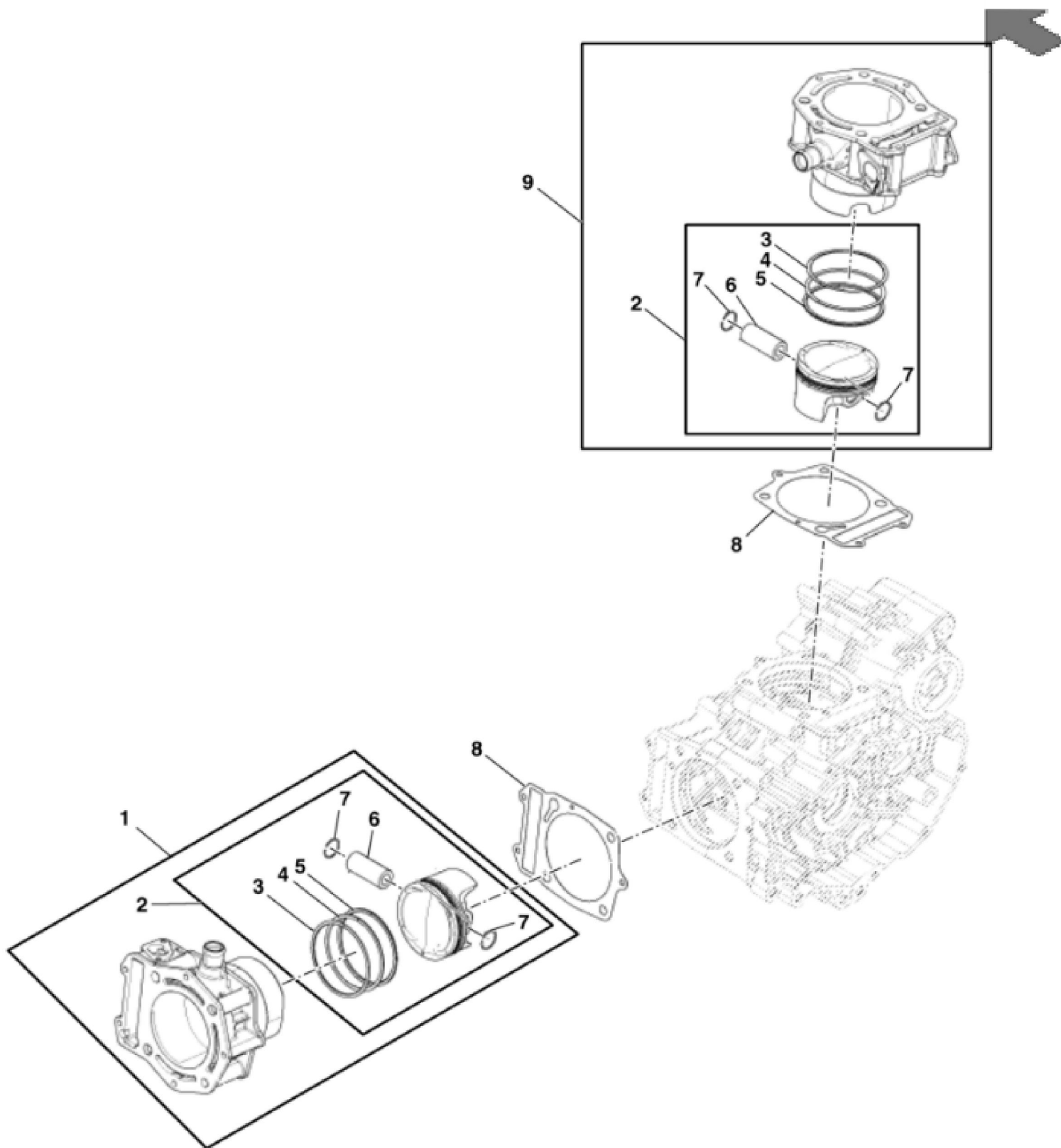
PU16080

KEY	PART NO.	PART NAME	QTY	REMARKS
1	MIU13479	GASKET	1	
2	MIU13489	UNION FITTING	1	
3	MIU13347	VALVE	1	Oil Anti-Return
4	MIU13395	BALL	1	
5	MIU13396	SPRING	1	
6	MIU13380	IMPELLER	1	
7	MIU13348	GASKET	1	
8	MIU13349	GASKET	1	
9	MIA12302	SHAFT	1	
10	MIU13461	SHIM	1	
11	MIU13462	DOWEL PIN	2	
12	MIU13397	NOZZLE	2	
13	MIU13457	PIN	2	
14	MIU13484	SCREW	2	
15	MIU13481	JET	2	
16	MIU13460	GASKET	2	
17	MIU13490	PLATE	1	
18	MIU13398	SCREW	2	
19	MIU13350	GASKET	1	
20	MIU13493	DOWEL PIN	2	
21	MIU13426	BOLT	8	
22	MIU13458	PIN	2	
23	MIU13399	SCREW	6	
24	MIU13400	SCREW	10	
25	MIU13433	PLUG	1	
26	MIU13431	O-RING	1	
27	MIU13495	O-RING	1	
28	MIU13429	PLUG	3	
29	MIU13463	DOWEL PIN	2	
30	MIU13432	PLUG	1	
31	MIU13351	CABLE	1	
32	MIA12419	CRANKCASE	1	Match to Crankshaft Category.1
32	MIA12420	CRANKCASE	1	Match to Crankshaft Category.2



PU04182

KEY	PART NO.	PART NAME	QTY	REMARKS	
1	MIA12303	CRANKSHAFT	1	Category.1	
1	MIA12304	CRANKSHAFT	1	Category.2	



Thank you so much for reading.
Please click the “Buy Now!”
button below to download the
complete manual.



After you pay.

You can download the most
perfect and complete manual in
the world immediately.

Our support email:

ebooklibonline@outlook.com