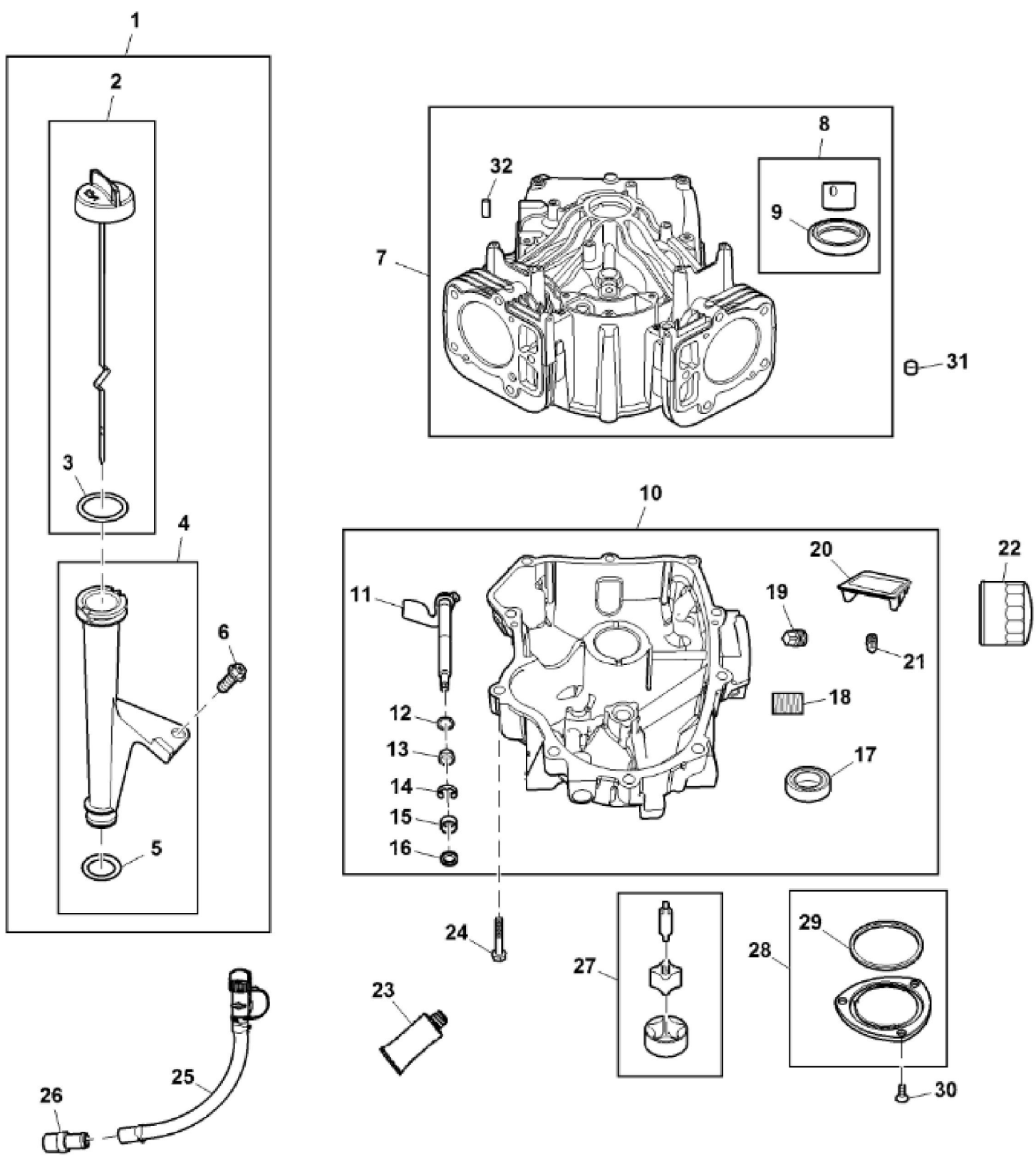
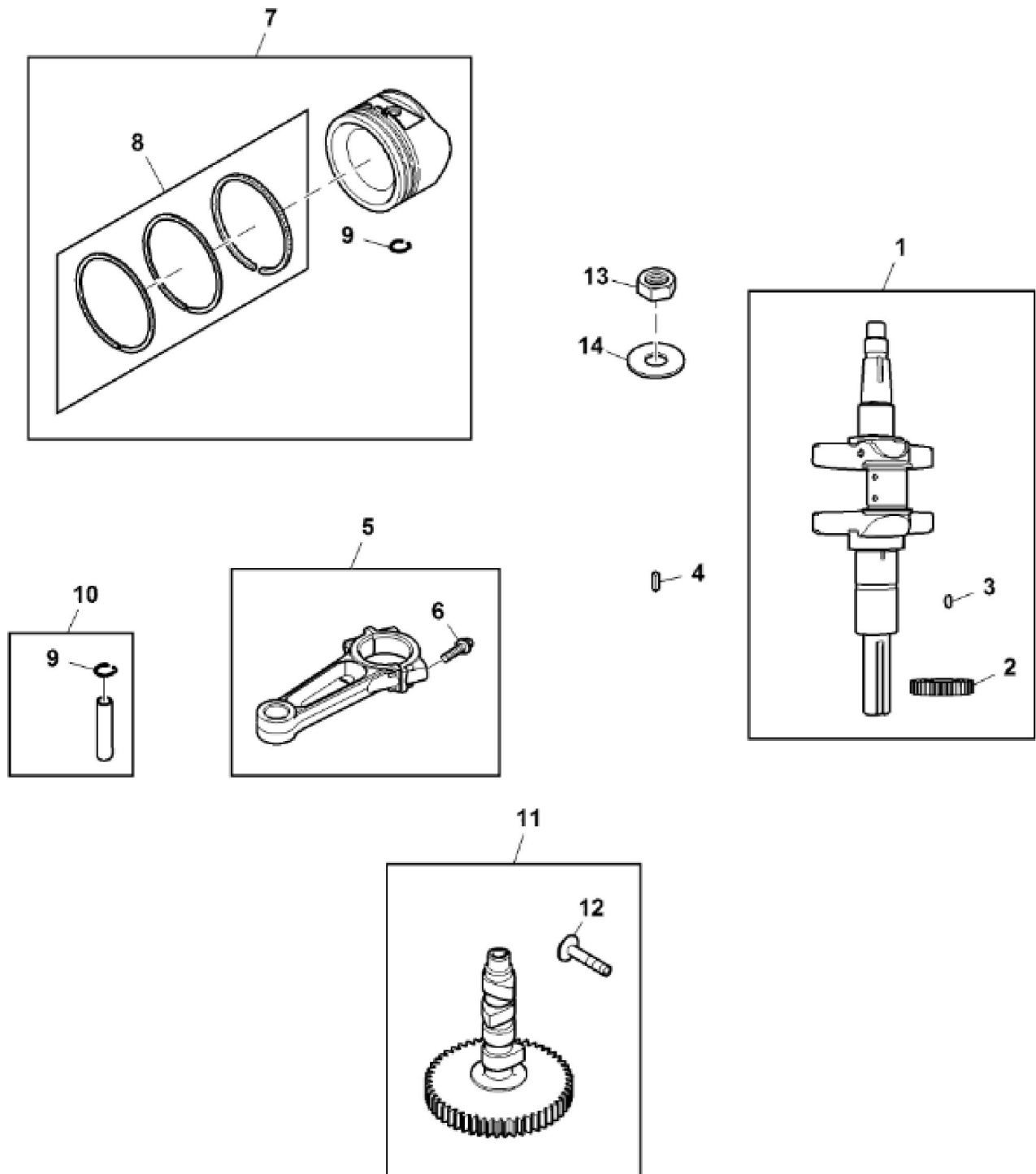


GX291152

KEY	PART NO.	PART NAME	QTY	Serial No.	REMARKS
1	MIA12771	GASOLINE ENGINE	1	____-060000	MARKED 44N677-0011-G1
1	MIA12882	GASOLINE ENGINE	1	060001-____	MARKED 44N677-0030-G1
2	MIA11662	COVER	1		
3	AUC10046	CONTROL	1	____-060000	SUB FOR GY22318; Throttle
3	AUC10079	CONTROL	1	060001-____	SUB FOR GY22318; Throttle
4	GX23580	SCREW	3		
5	GX24210	SCREW	4		
6	LG690970	GASKET	2		
7	14M7298	FLANGE NUT	4		M8
8	14H786	NUT	1		1/4"



KEY	PART NO.	PART NAME	QTY	Serial No.	REMARKS
1	UC11104	DIPSTICK	1		SUB FOR LG499602; ASSY
2	LG691036	DIPSTICK	1		
3	LG691031	O-RING	1		
4	LG691037	OIL TUBE	1		Oil Fill
5	LG691032	SEAL	1		
6	M153266	SCREW	1		
7	MIA13213	CYLINDER	1	____-060000	
7	MIA13208	CYLINDER	1	060001-____	
8	MIA11778	SEAL KIT	1		
9	LG391086S	SEAL	1		
10	MIA13209	RESERVOIR	1	____-060000	Engine
10	AUC11084	RESERVOIR	1	060001-____	
11	LG691045	CRANK	1		Governor
12	M142280	WASHER	1		Governor Crank
13	M142282	BUSHING	2		
14	M142286	RETAINER	2		
15	MIU12503	BUSHING	1		
16	MIU11284	SEAL	1		Governor Shaft
17	MIU11958	SEAL	1		
18	LG690954	THREADED NIPPLE	1		Oil Filter
19	15H623	PIPE PLUG	1		3/8"
20	MIU12140	SCREEN	1		
21	15H638	PIPE PLUG	1		1/8"
22	AM125424	OIL FILTER	1		Engine
23	PM37469	LIQUID GASKET	1		Crankcase
24	M142896	SCREW	10		
25	MIU14391	HOSE	1		Oil Drain
26	MIU14390	HOSE FITTING	1		
27	MIU12143	OIL PUMP	1		
28	MIA11464	COVER	1		Oil Pump
29	MIU12153	SEAL	1		
30	MIU12142	SCREW	3		
31	LG690959	DOWEL PIN	2		
32	UC12131	PIN	1		



KEY	PART NO.	PART NAME	QTY	REMARKS	
1	MIA11457	CRANKSHAFT	1		
2	LG690980	GEAR	1	Timing	
3	26H4	SHAFT KEY	1	1/8" X 3/8", Woodruff	
4	LG222698S	SHAFT KEY	1	Flywheel	
5	MIA11459	CONNECTING ROD	2		
6	LG690976	SCREW	4	Connecting Rod	
7	MIA10996	PISTON	2	ASSY, STD	
7	MIA11788	PISTON	2	0.50 mm	
8	MIU11282	PISTON RING KIT	2	STD	
8	MIU11283	PISTON RING KIT	2	0.50 mm	
9	LG690975	LOCK	2	Piston Pin	
10	MIA11458	PISTON PIN	2		
11	MIA10916	CAMSHAFT	1		
12	LG690977	TAPPET	4	Valve	
13	14H810	NUT	1	7/8"	
14	LG691056	WASHER	1	Flywheel	

Thank you so much for reading.
Please click the “Buy Now!”
button below to download the
complete manual.



After you pay.

You can download the most
perfect and complete manual in
the world immediately.

Our support email:

ebooklibonline@outlook.com