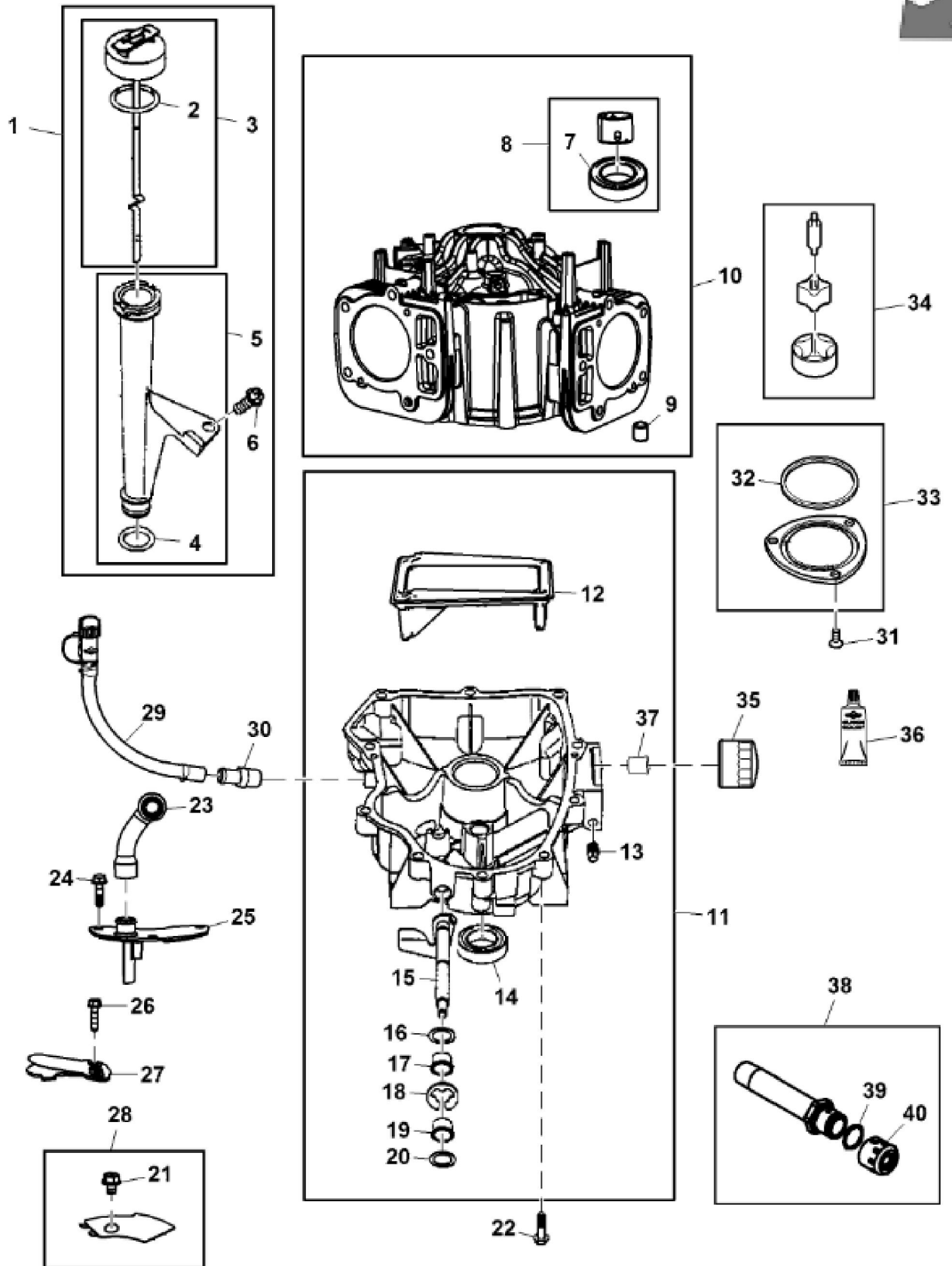


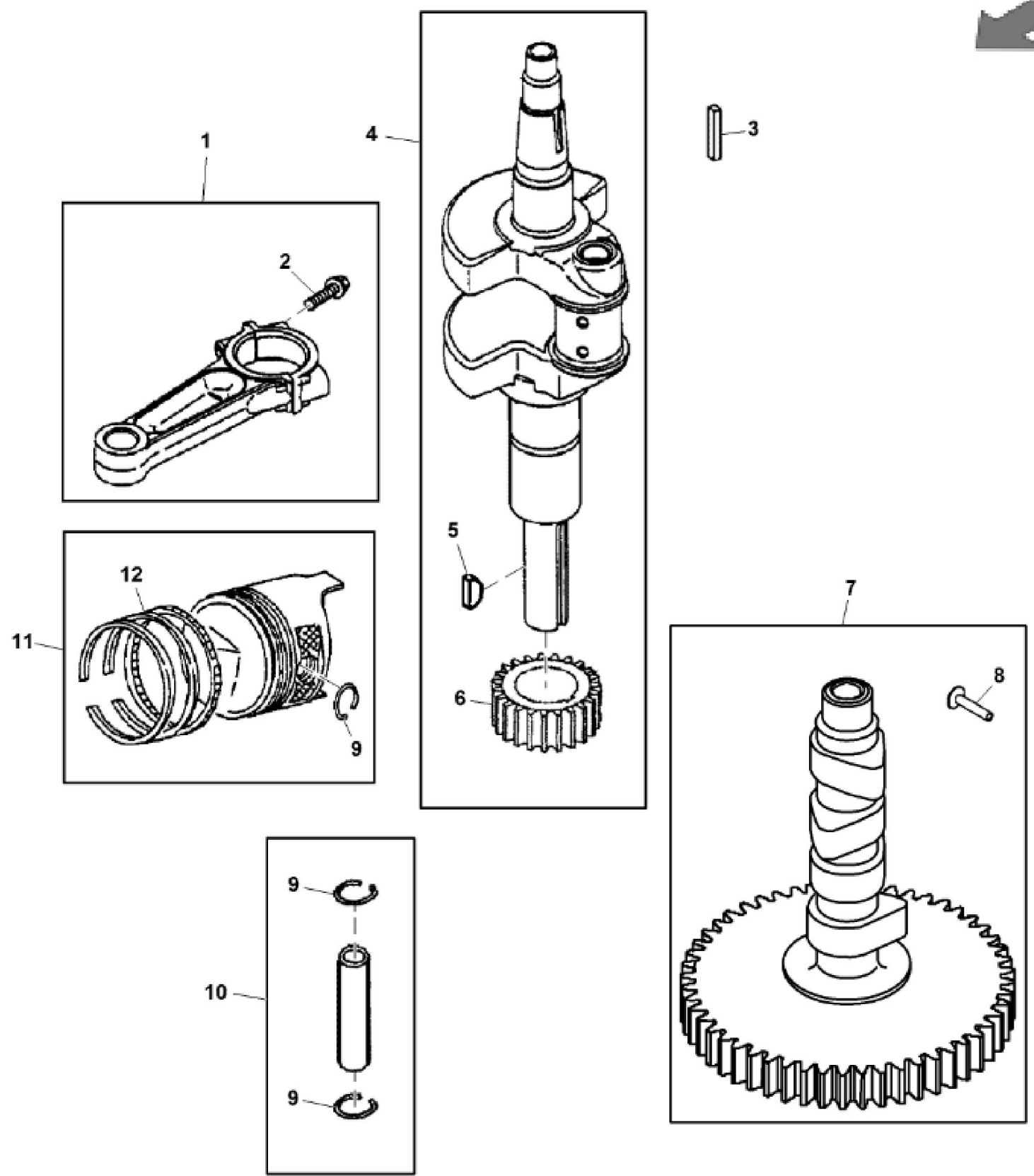
GX301360

KEY	PART NO.	PART NAME	QTY	Serial No.	REMARKS	
1	MIA13052	GASOLINE ENGINE	1	____-060000	MARKED 44T977-0018-G1	
1	MIA13053	GASOLINE ENGINE	1	060001-____	MARKED 44T977-0023-G1	
2	GY22413	PUSH PULL CABLE	1		Throttle Control	
3	GX24210	SCREW	4			
4	14H786	NUT	1		1/4"	



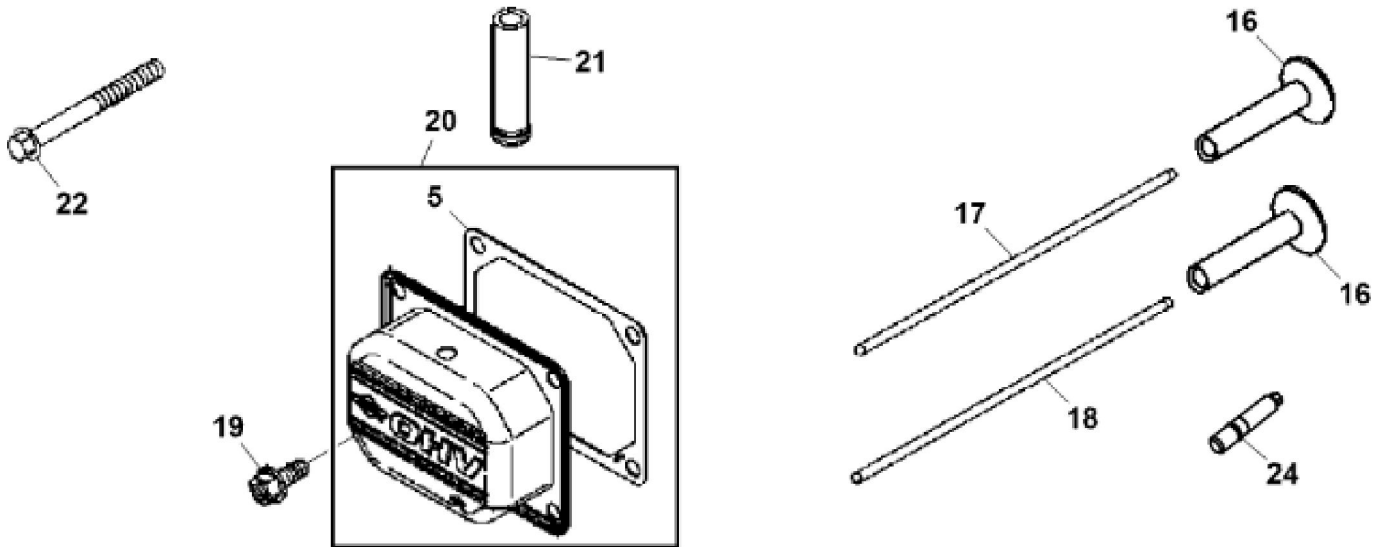
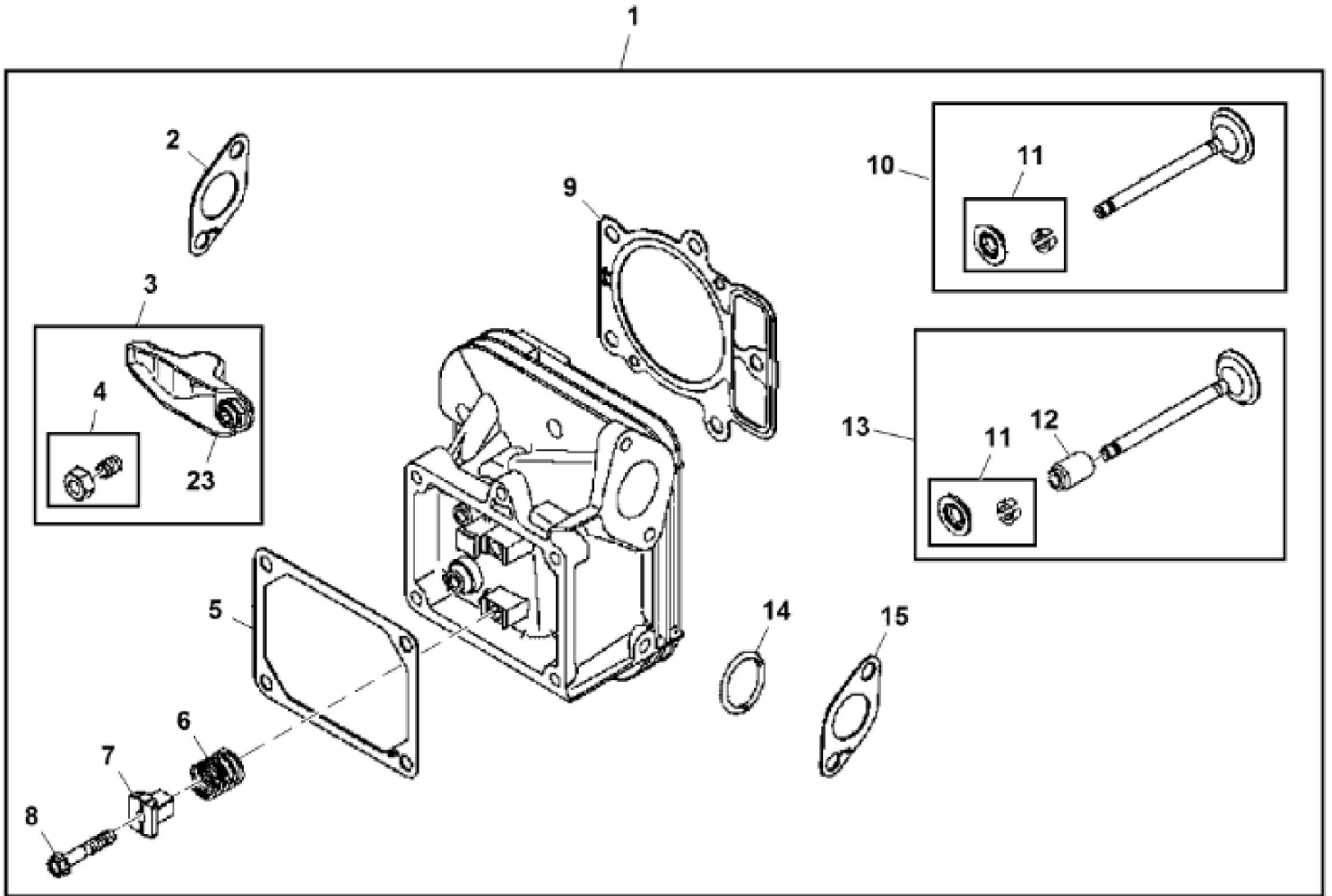
KEY	PART NO.	PART NAME	QTY	REMARKS
1	UC11104	DIPSTICK	1	SUB FOR LG499602
2	LG691031	O-RING	1	
3	LG691036	DIPSTICK	1	
4	LG691032	SEAL	1	
5	LG691037	OIL TUBE	1	
6	M153266	SCREW	1	Gear, Timing
7	LG391086S	SEAL	1	
8	MIA11778	BUSHING KIT	1	
9	LG690959	DOWEL PIN	6	
10	MIA13213	CYLINDER BLOCK	1	
11	MIA13209	RESERVOIR	1	
12	MIU12140	SCREEN	1	
13	15H638	PIPE PLUG	1	1/8"
14	MIU11958	SEAL	1	
15	LG691045	CRANK	1	
16	M142280	WASHER	1	Governor Crank
17	M142282	BUSHING	2	Governor Crank
18	M142286	RETAINER	2	
19	MIU12503	BUSHING	1	Governor Crank
20	MIU11284	SEAL	1	Governor Shaft
21	MIU14464	SCREW	1	
22	M142896	SCREW	10	Crankcase Cover, Sump
23	MIU14443	TUBE	1	
24	LG691108	SCREW	3	
25	MIU14444	COVER	1	Breather Passage
26	MIU14448	SCREW	1	Reed-Breather
27	MIU14445	VALVE	3	Reed-Breather
28	MIA13077	PLATE	1	Baffle
29	MIU14391	HOSE	1	
30	MIU14390	HOSE FITTING	1	
31	MIU12142	SCREW	3	
32	MIU12153	SEAL	1	
33	MIA11464	COVER	1	
34	MIU12143	OIL PUMP	1	
35	AM125424	OIL FILTER	1	

KEY	PART NO.	PART NAME	QTY	REMARKS	
36	PM37469	LIQUID GASKET	1		
37	LG690954	THREADED NIPPLE	1		
38	AM131611	DRAIN PLUG	1		
39	T77932	O-RING	1		
40	M144897	CAP	1		



GX291878

KEY	PART NO.	PART NAME	QTY	REMARKS	
1	MIA11459	CONNECTING ROD	2		
2	LG690976	SCREW	4		
3	LG222698S	SHAFT KEY	1	Flywheel	
4	MIA11457	CRANKSHAFT	1		
5	26H4	SHAFT KEY	1	1/8" X 3/8"	
6	LG690980	GEAR	1	Timing	
7	MIA11789	CAMSHAFT	1		
8	LG690977	TAPPET	4		
9	LG690975	LOCK	4		
10	MIA11458	PISTON PIN	2		
11	MIA11036	PISTON	2	Standard	
11	MIA11037	PISTON	2	0.020 inch, OS	
12	MIU11282	PISTON RING KIT	1	Standard	
12	MIU11283	PISTON RING KIT	1	0.020 inch, OS	



Thank you so much for reading.  
Please click the “Buy Now!”  
button below to download the  
complete manual.



After you pay.

You can download the most  
perfect and complete manual in  
the world immediately.

Our support email:

[ebooklibonline@outlook.com](mailto:ebooklibonline@outlook.com)