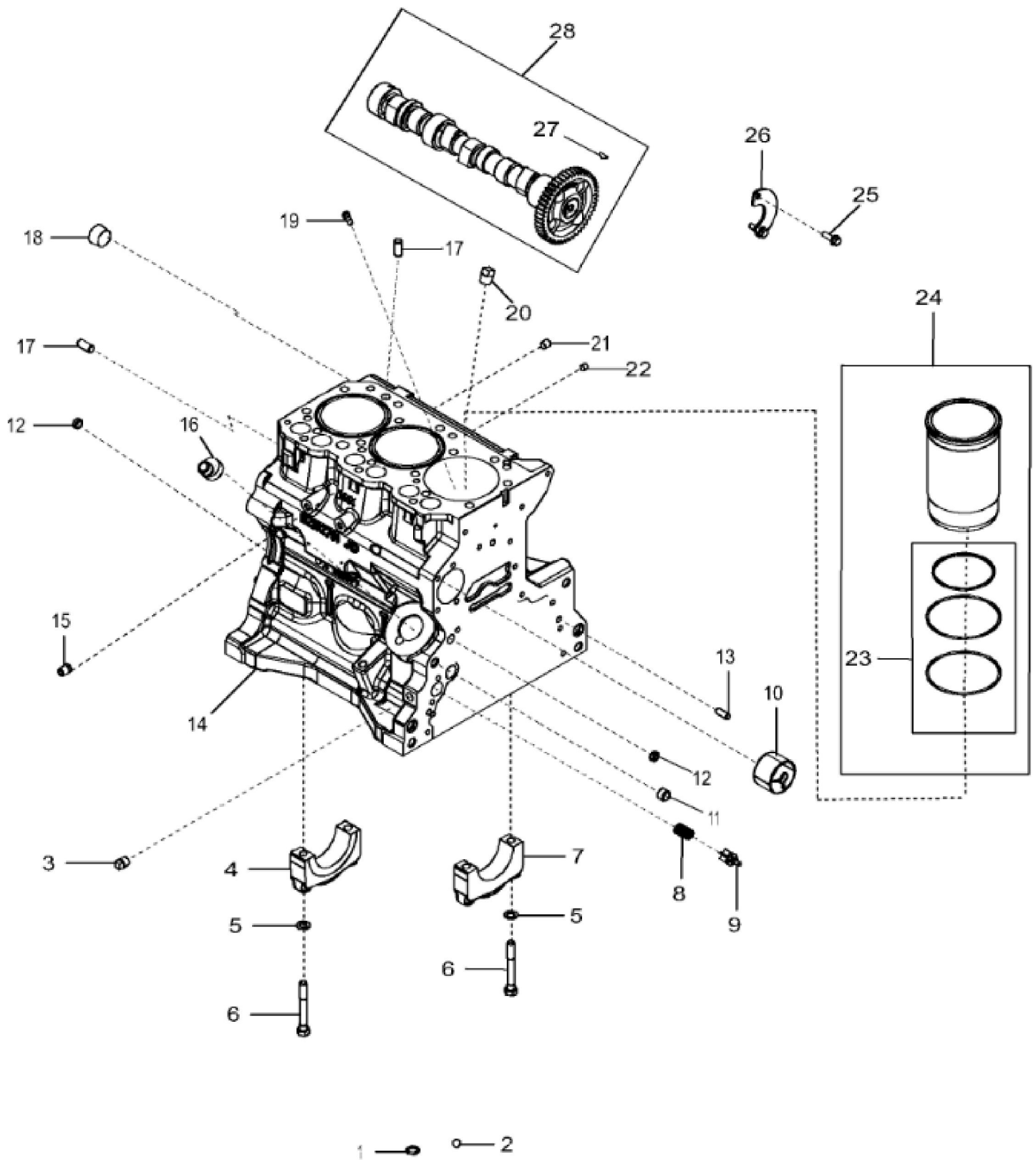
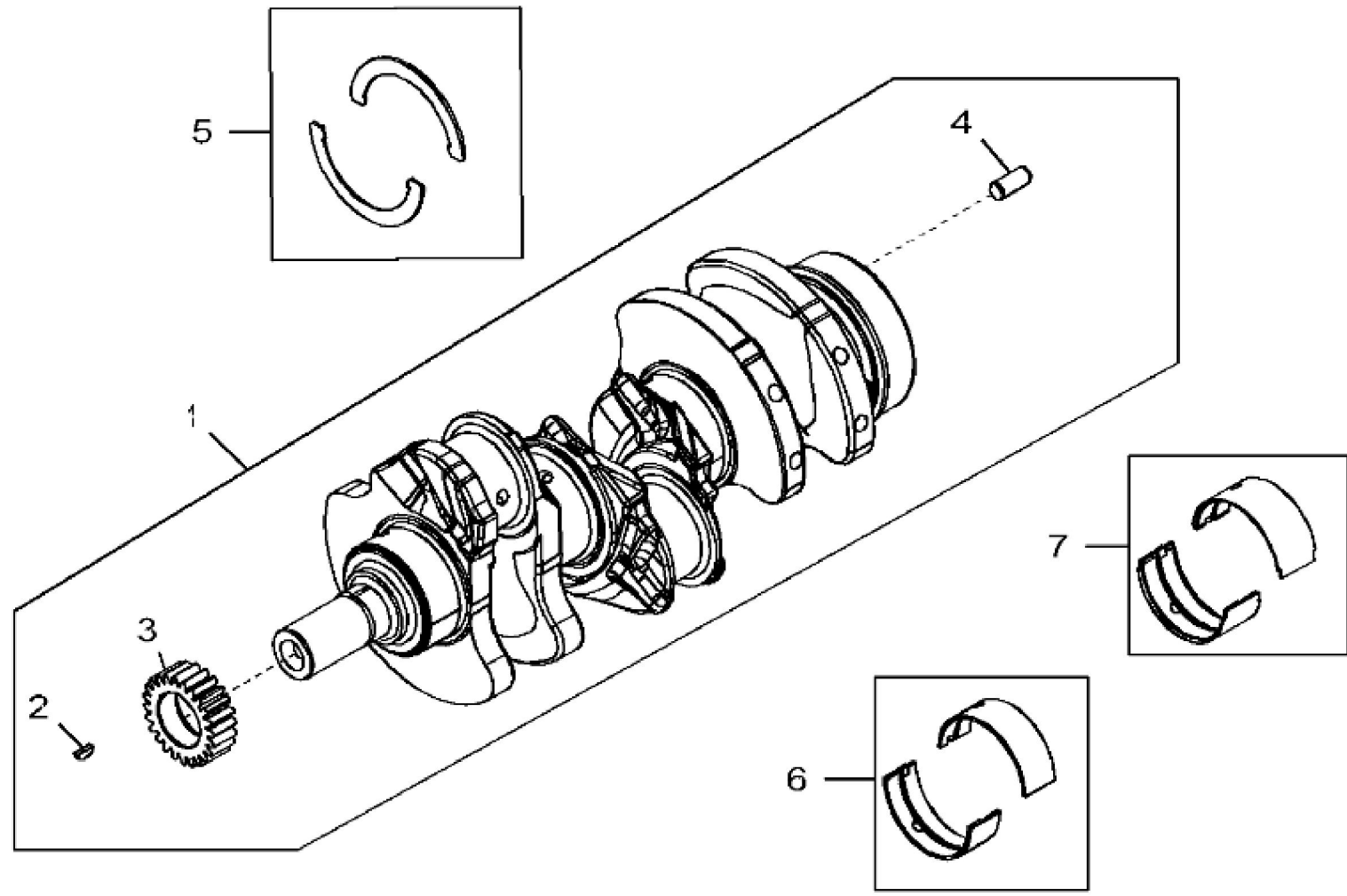


KEY	PART NO.	PART NAME	QTY	REMARKS
1	RE535328	CAMSHAFT	1	MARKED R502183
2	26H72	SHAFT KEY	1	1/8" X 5/8"
3	15H695	PIPE PLUG	1	3/8"
4	R54802	ORIFICE	3	
5	RE545964	PISTON-LINER KIT	3	
6	RE525162	O-RING KIT	3	
7	15H584	PIPE PLUG	1	1/2"
8	15H653	PIPE PLUG	1	1"
9	A120R	DOWEL PIN	4	
10	.....	CYLINDER BLOCK	1	MARKED DZ103053; ORDER DZ105995
10	DZ105995	SHORT BLOCK ASSEMBLY	1	
11	R65215	BEARING CAP	3	
12	R79089	CAP	1	
13	T20168	WASHER	8	
14	R528387	CAP SCREW	8	
15	T23435	THREADED NIPPLE	1	
16	R119874	BUSHING	1	
17	19M8999	SCREW	2	M8 X 25
18	15H275	PIPE PLUG	1	1/4"
19	R26493	BUSHING	1	
20	R121043	VALVE	1	
21	R534150	PLATE	1	
22	R97185	O-RING	1	
23	T18891	PLUG	2	
24	RE507807	PIPE PLUG	1	
25	RE71255	PIPE PLUG	2	
26	B153R	DOWEL PIN	2	
27	R111137	SPRING	1	
28	D2361R	BALL	1	

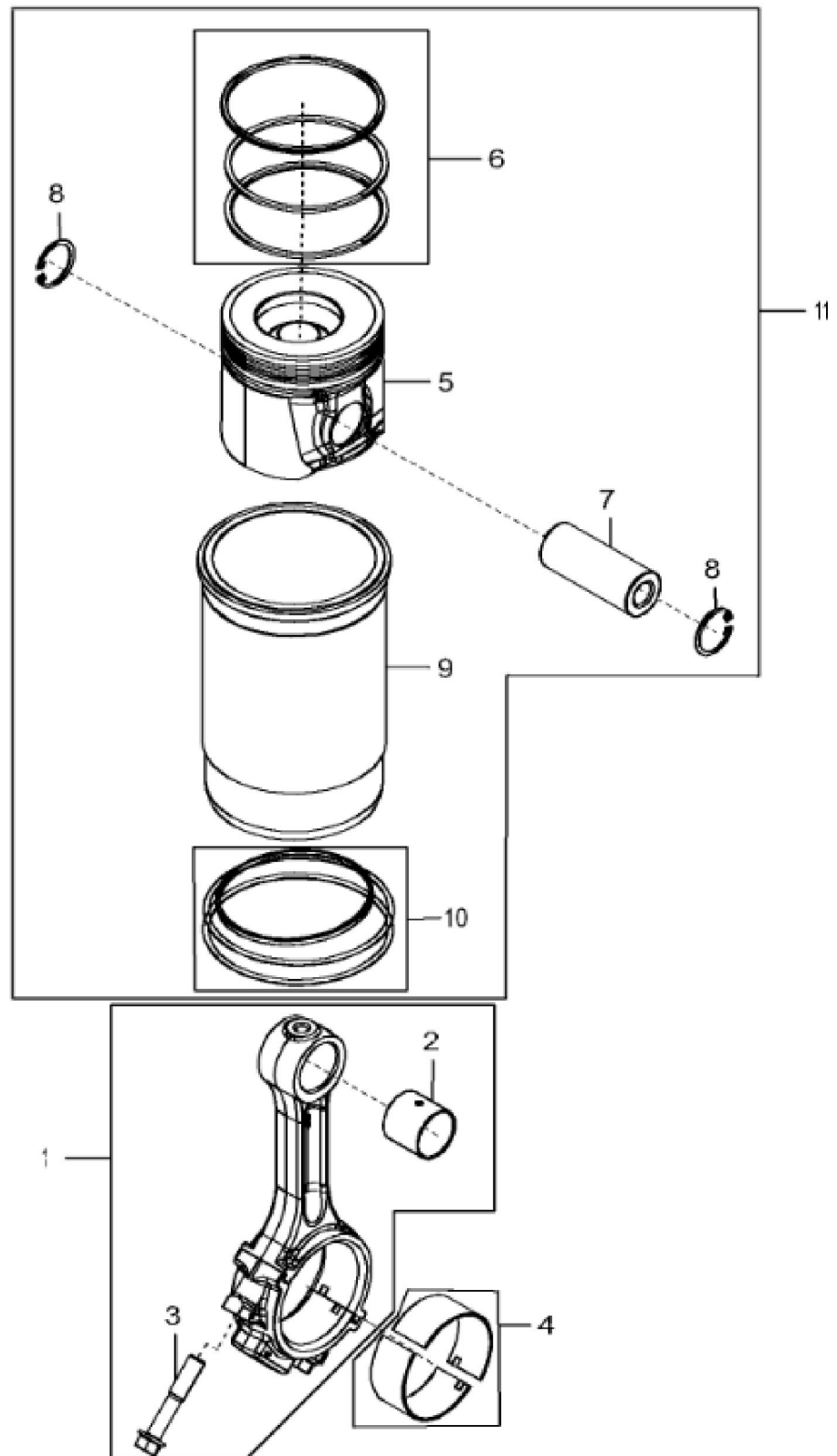


KEY	PART NO.	PART NAME	QTY	REMARKS
1	R97185	O-RING	1	
2	D2361R	BALL	1	
3	15H695	PIPE PLUG	1	3/8"
4	R65214	BEARING CAP	1	
5	T20168	WASHER	8	
6	T23474	CAP SCREW	8	
7	R65215	BEARING CAP	3	
8	R111137	SPRING	1	
9	R121043	VALVE	1	
10	R119874	BUSHING	1	
11	R26493	BUSHING	1	
12	T18891	PLUG	2	
13	B153R	DOWEL PIN	2	
14	.....	CYLINDER BLOCK	1	MARKED DZ102791
15	R55233	PIPE PLUG	1	
16	T23435	THREADED NIPPLE	1	
17	A120R	DOWEL PIN	4	
18	15H653	PIPE PLUG	1	1"
19	R54802	ORIFICE	3	
20	15H237	PIPE PLUG	1	1/2"
21	15H275	PIPE PLUG	1	1/4"
22	RE42713	PIPE PLUG	2	
23	RE525162	O-RING KIT	3	
24	RE545964	PISTON-LINER KIT	3	(Not as Illustrated)
25	19M8999	SCREW	2	M8 X 25
26	R534150	PLATE	1	
27	26H72	SHAFT KEY	1	1/8" X 5/8"
28	RE535328	CAMSHAFT	1	



4728\_RE552305\_PCD

KEY	PART NO.	PART NAME	QTY	REMARKS	
1	.....	CRANKSHAFT	1	ORDER RE565459 OR DZ101387 OR DZ10463	
1	RE565459	CRANKSHAFT	1	(Only For 5M FT4 Engines) (Not Illustrated) KIT	
1	DZ101387	CRANKSHAFT	1	(Only For 5E and OEM FT4 Engines) (Not Illustrated) KIT	
1	DZ10463	CRANKSHAFT	1	(Only For Non FT4 3029 Engines) (Not Illustrated) KIT	
2	26H72	SHAFT KEY	1	1/8" X 5/8"	
3	R538912	GEAR	1	Z = 24; MARKED R542963; SUB FOR APPL R504262 OR R100850	
4	A120R	DOWEL PIN	1		
5	R516362	THRUST WASHER	3		
6	AT21140	BEARING	3	KIT; (2) R515304	
7	RE57279	BEARING KIT	1	KIT; (2) R515305	



Thank you so much for reading.  
Please click the “Buy Now!”  
button below to download the  
complete manual.



After you pay.

You can download the most  
perfect and complete manual in  
the world immediately.

Our support email:

[ebooklibonline@outlook.com](mailto:ebooklibonline@outlook.com)