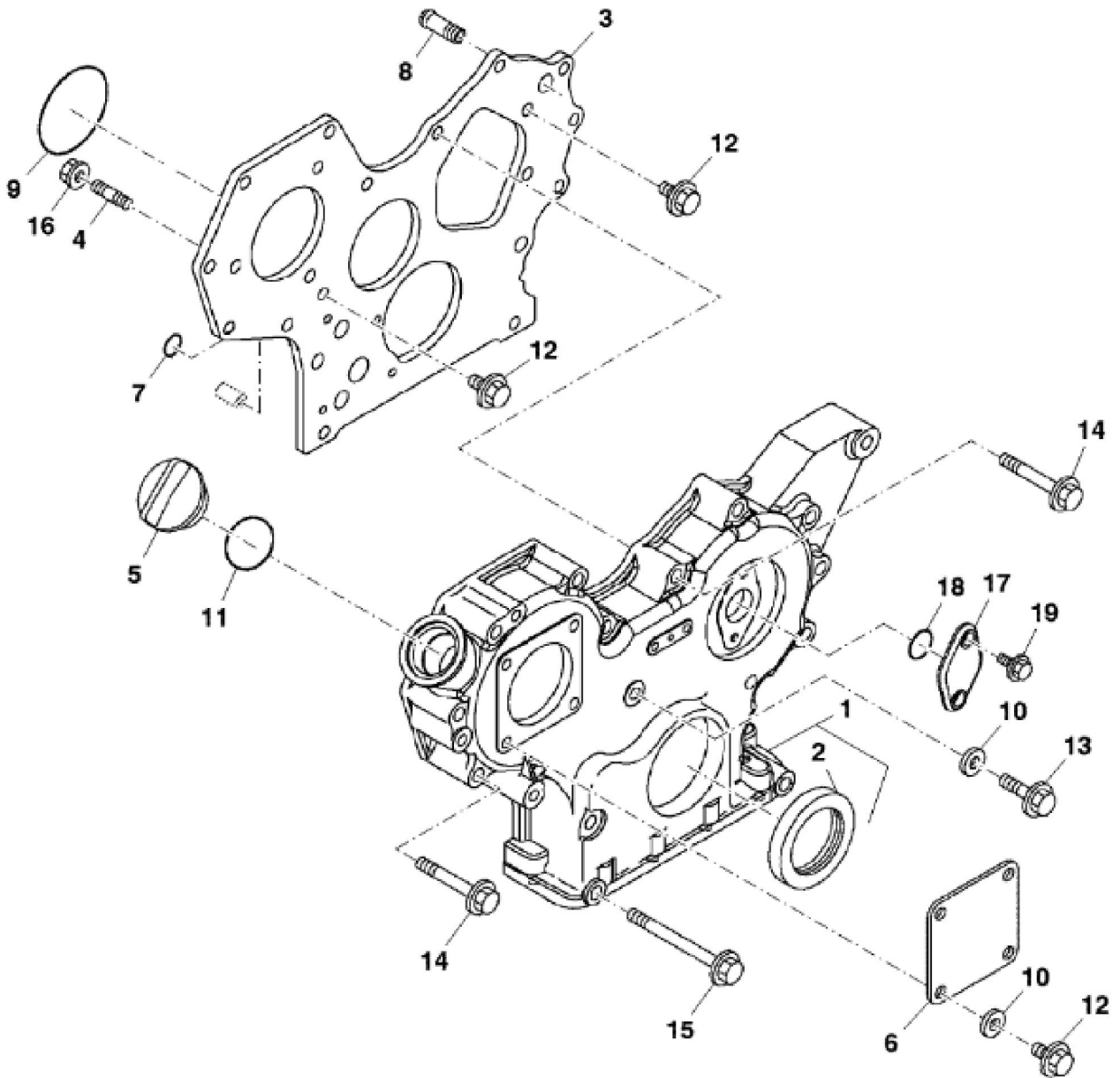


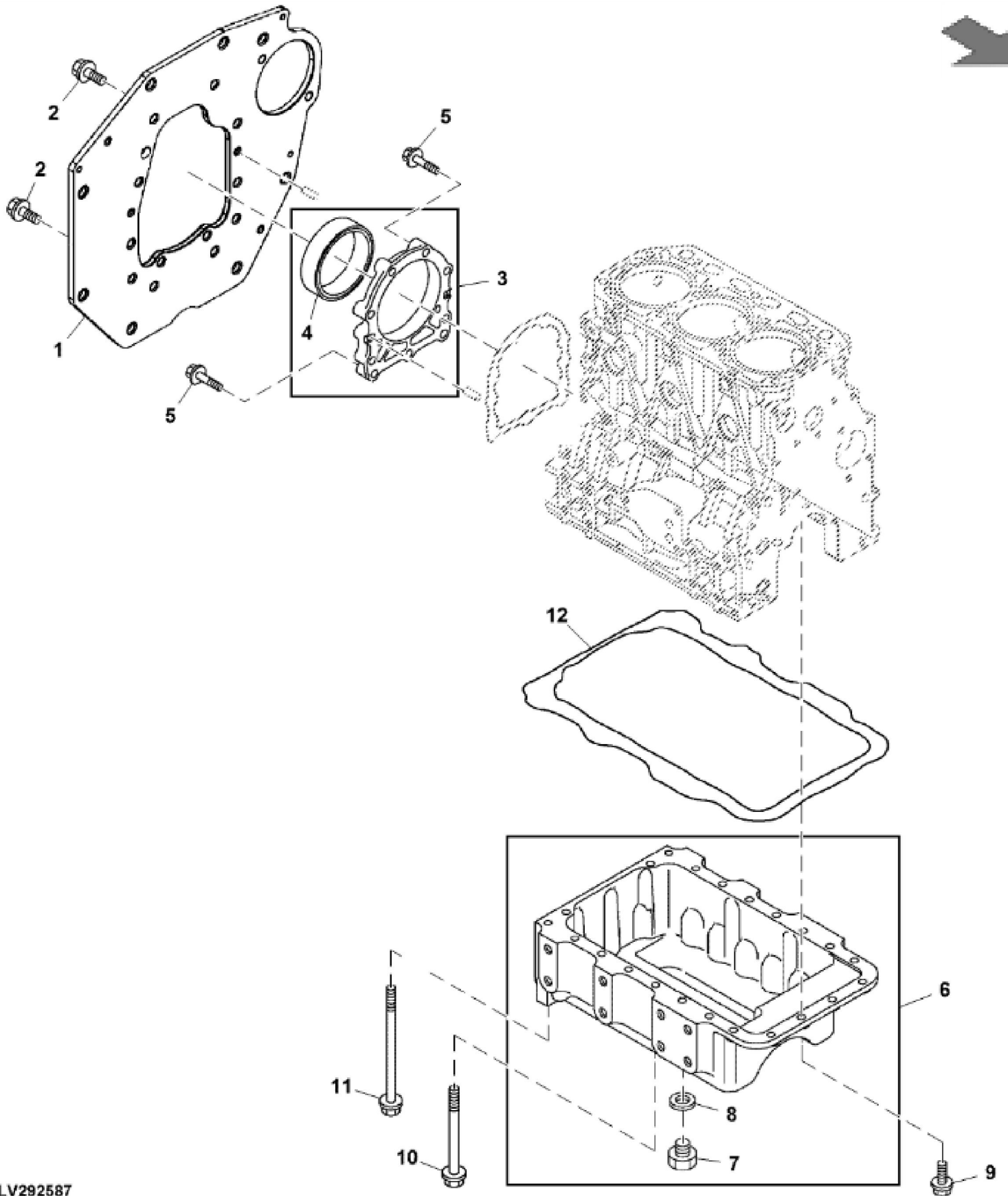
LV291767

KEY	PART NO.	PART NAME	QTY	REMARKS
1	MIA880914	CYLINDER BLOCK	1	
2	CH10314	PLUG	1	
3	M809565	DRAIN PLUG	1	
4	CH10335	PLUG	3	
5	MIA880554	BEARING	4	
5	MIA880550	BEARING	4	(Under Sized Part (U.S =0.25))
6	15H562	PIPE PLUG	1	1"
7	M801189	BOLT	8	
8	MIU800573	CAMSHAFT	1	
9	M87801	PLUG	2	
10	30M7023	PLUG	6	
11	M802255	PIN	4	
12	M806440	ENGINE CYLINDER HEAD GASKET	1	
13	M800974	PIPE	2	
14	MIA880555	BEARING	2	
14	MIA882809	BEARING KIT	1	(Over Sized Part (O.S = 0.25))
15	MIU800797	SHAFT	1	
16	T110724	CHECK VALVE	3	
17	T110725	NOZZLE	3	
18	CH15575	PIN	3	
19	CH18079	SPRING PIN	2	
20	19M8317	SCREW	3	M8 X 40
21	M801186	BOLT	14	
22	MIA12712	DIESEL ENGINE	1	MARKED 3TNV84T-BXJT4; Not Illustrated



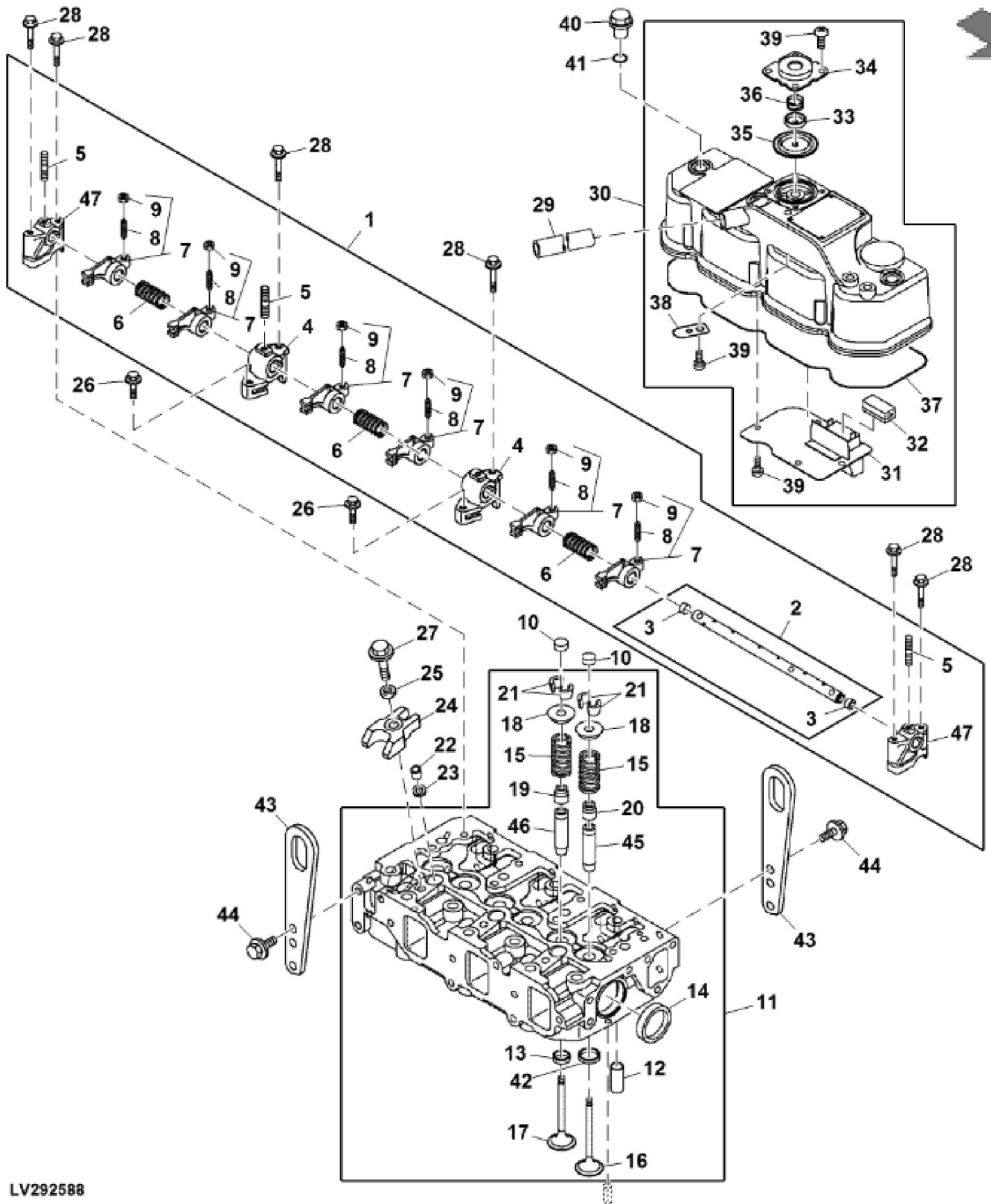
LV292586

KEY	PART NO.	PART NAME	QTY	REMARKS	
1	MIA881011	GEAR CASE	1		
2	M811078	SEAL	1		
3	MIU800906	FLANGE	1		
4	MIU800440	STUD	3		
5	M805710	CAP	1		
6	CH18096	COVER	1		
7	M810185	O-RING	2		
8	T110730	UNIVERSAL JOINT	1		
9	CH16940	O-RING	1		
10	M803523	WASHER	5		
11	M805711	PACKING	1		
12	19M7865	SCREW	7	M8 X 16	
13	19M7868	SCREW	1	M8 X 30	
14	19M7979	SCREW	12	M8 X 55	
15	CH19136	BOLT	3		
16	14M7298	FLANGE NUT	3	M8, SUB FOR M810186	
17	MIU800476	COVER	1		
18	CH13526	PACKING	1		
19	19M7775	SCREW	2	M6 X 16	



LV292587

KEY	PART NO.	PART NAME	QTY	REMARKS	
1	MIU803056	FLANGE	1		
2	M800011	BOLT	8		
3	AM875375	CASE	1		
4	M805278	SEAL	1		
5	M808308	BOLT	9		
6	AM880870	OIL PAN	1		
7	T111565	PLUG	1		
8	M811568	WASHER	1		
9	CH19085	BOLT	6		
10	CH19136	BOLT	12		
11	T111562	BOLT	4		
12	M64850	SEALANT	1		



LV292588

Thank you so much for reading.
Please click the “Buy Now!”
button below to download the
complete manual.



After you pay.

You can download the most
perfect and complete manual in
the world immediately.

Our support email:

ebooklibonline@outlook.com