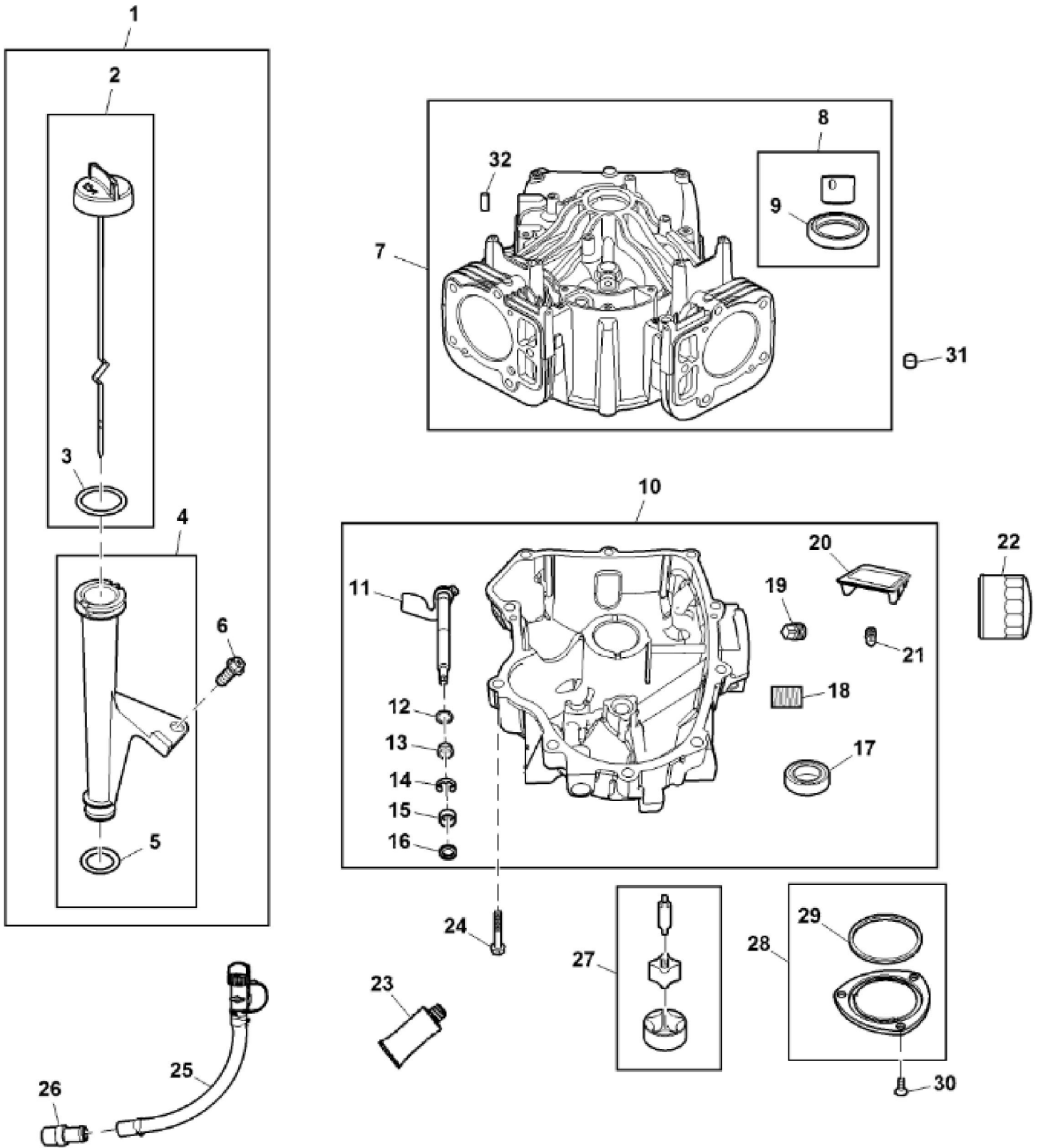


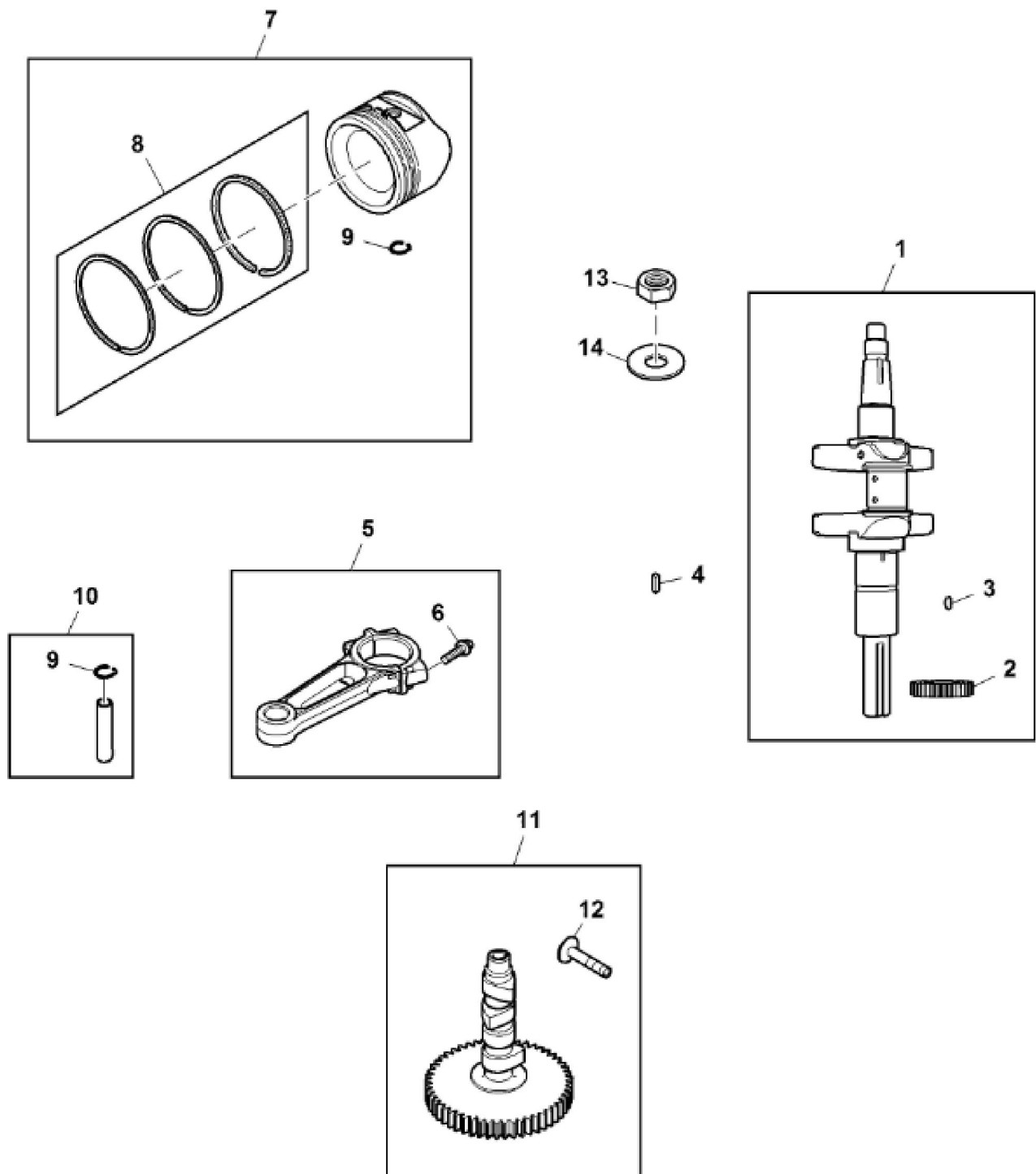
GX291152

KEY	PART NO.	PART NAME	QTY	REMARKS	
1	MIA12880	GASOLINE ENGINE	1	MARKED 40N877-0033-G1	
2	MIA11662	COVER	1		
3	AUC10079	CONTROL	1		
4	GX23580	SCREW	3		
5	GX24210	SCREW	4		
6	LG690970	GASKET	2		
7	14M7298	FLANGE NUT	4	M8	
8	14H786	NUT	1	1/4"	



GX291158

KEY	PART NO.	PART NAME	QTY	REMARKS
1	UC11104	DIPSTICK	1	
2	LG691036	DIPSTICK	1	
3	LG691031	O-RING	1	
4	LG691037	OIL TUBE	1	
5	LG691032	SEAL	1	
6	M153266	SCREW	1	
7	MIA13208	CYLINDER	1	
8	MIA11778	SEAL KIT	1	
9	LG391086S	SEAL	1	
10	AUC11084	ENGINE KIT	1	
11	LG691045	CRANK	1	Governor
12	M142280	WASHER	1	
13	M142282	BUSHING	2	
14	M142286	RETAINER	2	
15	MIU12503	BUSHING	1	
16	MIU11284	SEAL	1	
17	MIU11958	SEAL	1	
18	LG690954	THREADED NIPPLE	1	Oil Filter
19	15H623	PIPE PLUG	1	3/8"
20	MIU12140	SCREEN	1	
21	15H638	PIPE PLUG	1	1/8"
22	AM125424	OIL FILTER	1	
23	PM37469	LIQUID GASKET	1	Crankcase
24	M142896	SCREW	10	
25	MIU14391	HOSE	1	Oil Drain
26	MIU14390	HOSE FITTING	1	
27	MIU12143	OIL PUMP	1	
28	MIA11464	COVER	1	Oil Pump
29	MIU12153	SEAL	1	
30	MIU12142	SCREW	3	
31	LG690959	DOWEL PIN	2	
32	UC12131	PIN	1	



KEY	PART NO.	PART NAME	QTY	REMARKS	
1	MIA11457	CRANKSHAFT	1		
2	LG690980	GEAR	1	Timing	
3	26H4	SHAFT KEY	1	1/8" X 3/8", Woodruff	
4	LG222698S	SHAFT KEY	1	Flywheel	
5	MIA11459	CONNECTING ROD	2		
6	LG690976	SCREW	4		
7	MIA11346	PISTON	2	Standard	
7	MIA11102	PISTON	2	.020" (.50 mm) OS	
8	MIU12013	PISTON RING KIT	2	Standard	
8	MIU12161	PISTON RING KIT	2	.020" (.50 mm) OS	
9	LG690975	LOCK	2	Piston Pin	
10	MIA11458	PISTON PIN	2		
11	MIA10916	CAMSHAFT	1		
12	LG690977	TAPPET	4	Valve	
13	14H810	NUT	1	7/8"	
14	LG691056	WASHER	1	Flywheel	



Thank you so much for reading.  
Please click the “Buy Now!”  
button below to download the  
complete manual.



After you pay.

You can download the most  
perfect and complete manual in  
the world immediately.

Our support email:

[ebooklibonline@outlook.com](mailto:ebooklibonline@outlook.com)