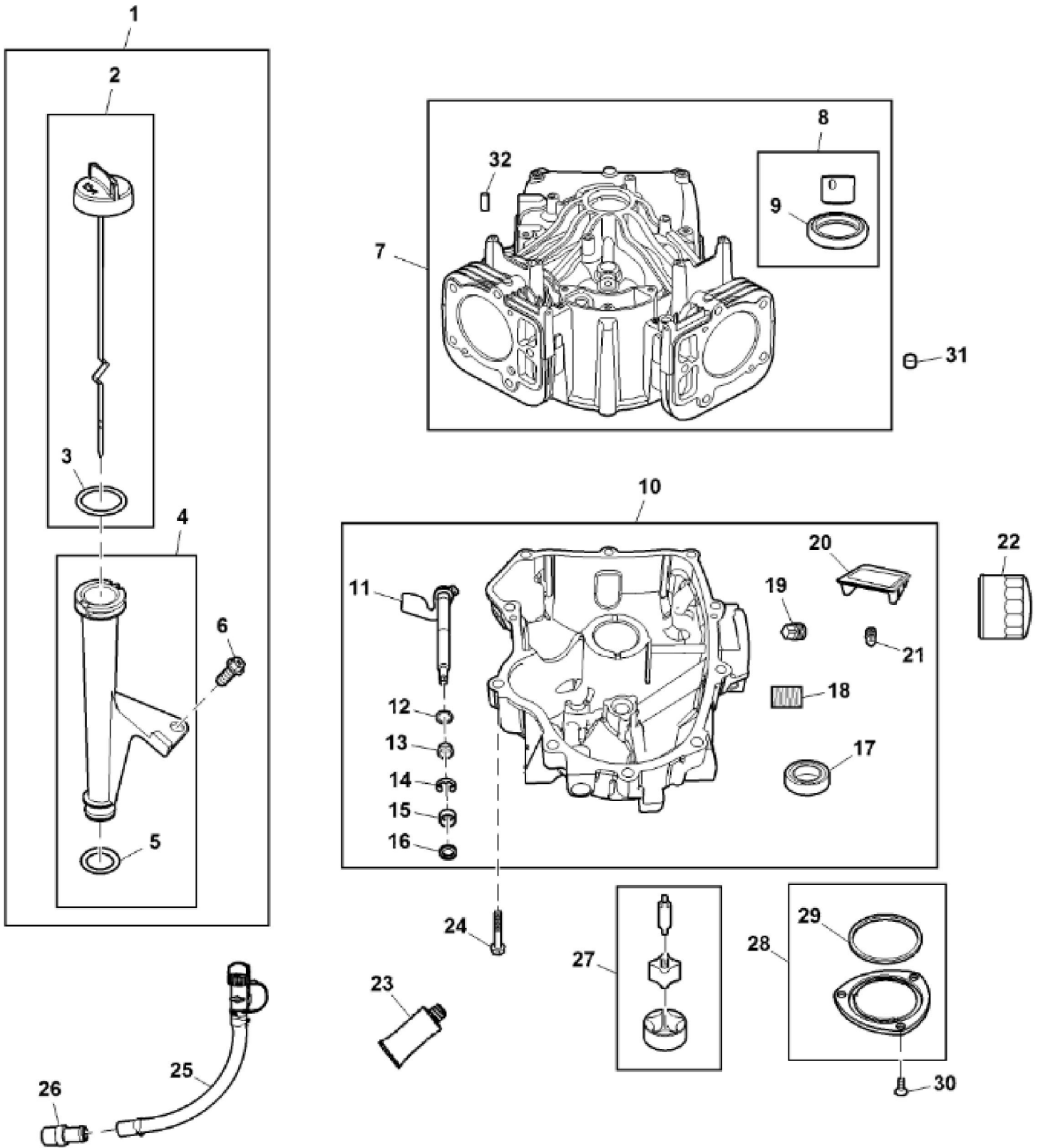
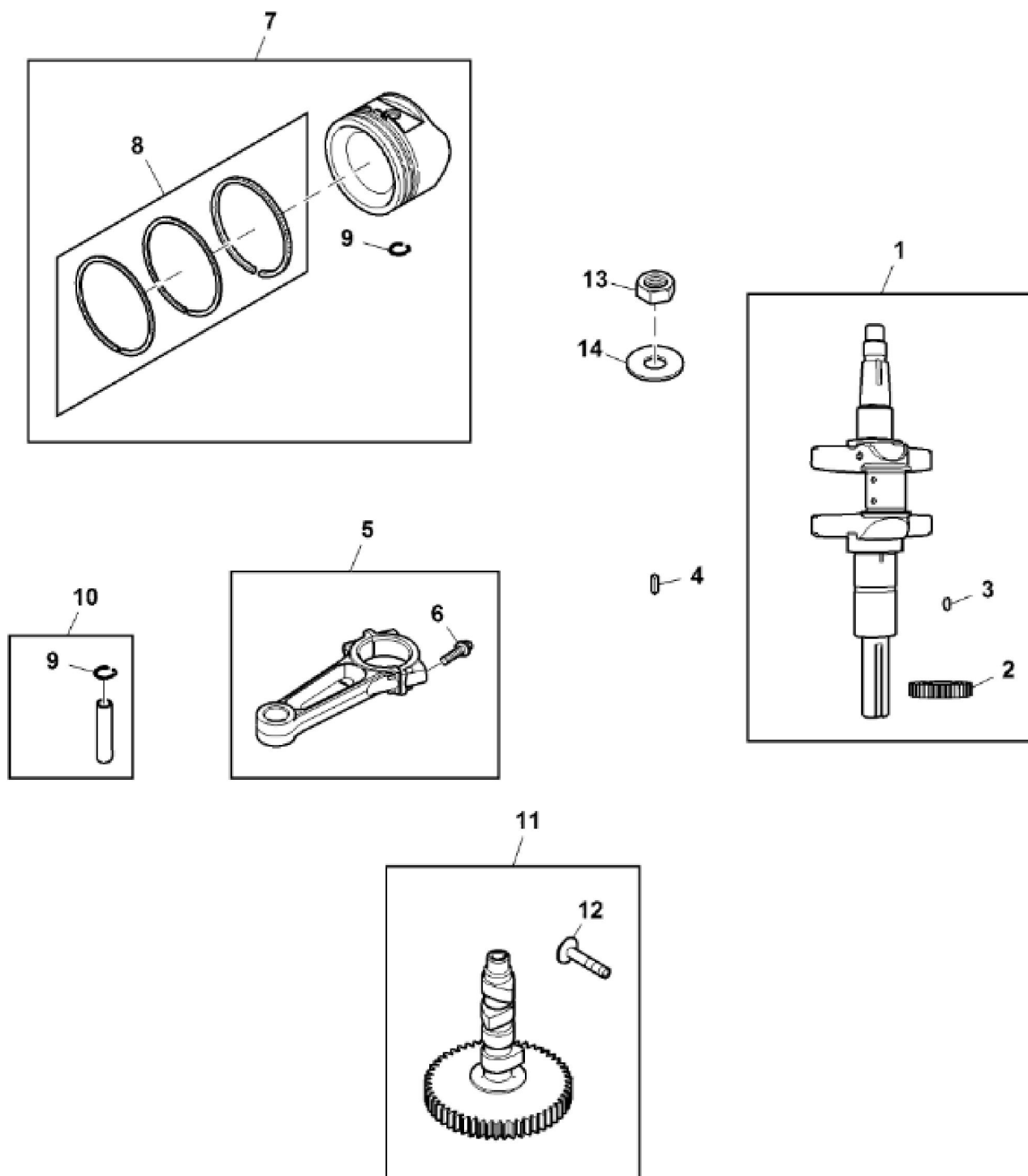


GX291152

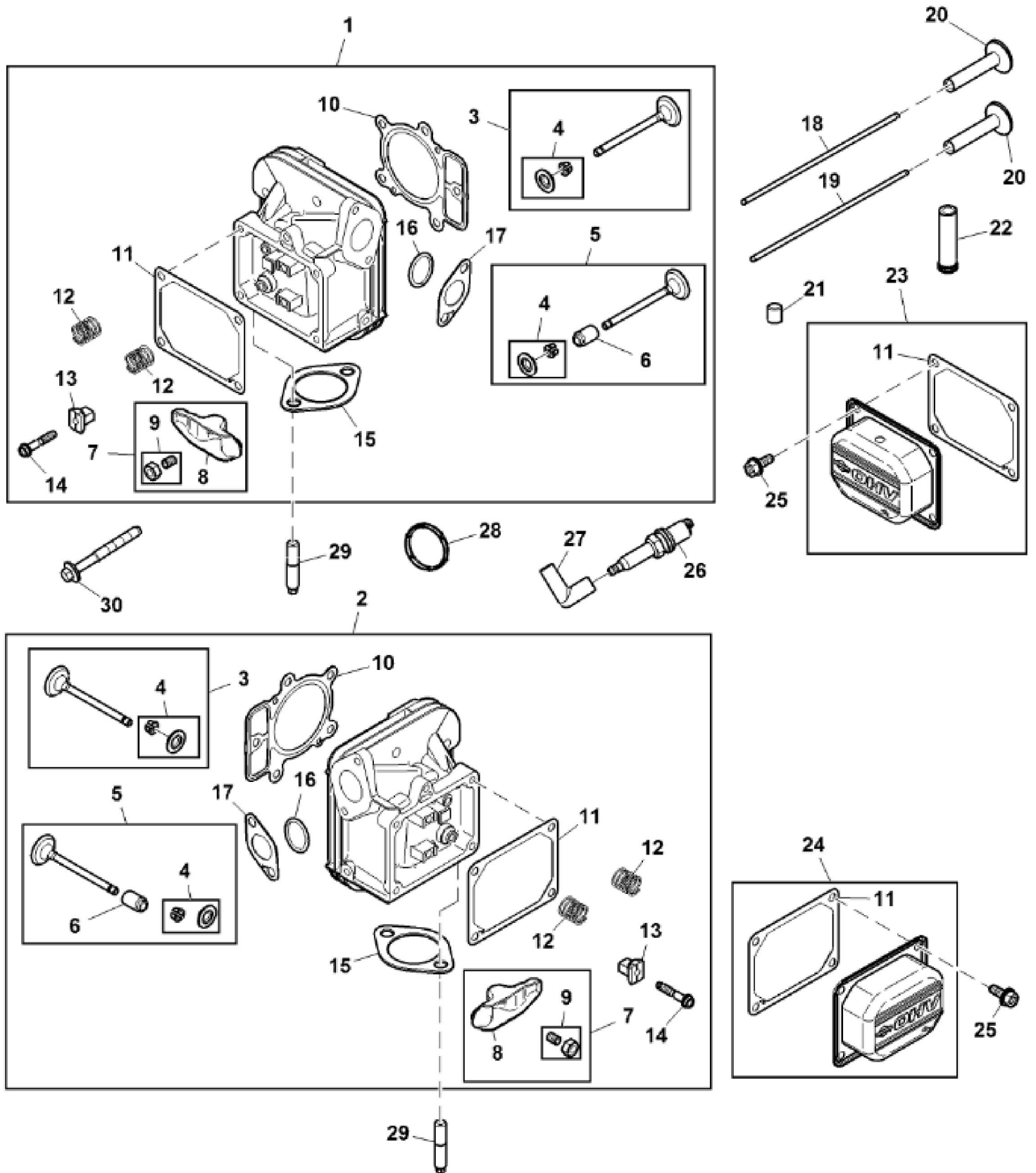
| KEY | PART NO. | PART NAME       | QTY | REMARKS               |  |
|-----|----------|-----------------|-----|-----------------------|--|
| 1   | MIA12882 | GASOLINE ENGINE | 1   | MARKED 44N677-0030-G1 |  |
| 2   | MIA11662 | COVER           | 1   |                       |  |
| 3   | AUC10079 | CONTROL         | 1   |                       |  |
| 4   | GX23580  | SCREW           | 3   |                       |  |
| 5   | GX24210  | SCREW           | 4   |                       |  |
| 6   | LG690970 | GASKET          | 2   |                       |  |
| 7   | 14M7298  | FLANGE NUT      | 4   | M8                    |  |
| 8   | 14H786   | NUT             | 1   | 1/4"                  |  |



| KEY | PART NO.  | PART NAME       | QTY | REMARKS    |
|-----|-----------|-----------------|-----|------------|
| 1   | UC11104   | DIPSTICK        | 1   |            |
| 2   | LG691036  | DIPSTICK        | 1   |            |
| 3   | LG691031  | O-RING          | 1   |            |
| 4   | LG691037  | OIL TUBE        | 1   |            |
| 5   | LG691032  | SEAL            | 1   |            |
| 6   | M153266   | SCREW           | 1   |            |
| 7   | MIA13208  | CYLINDER        | 1   |            |
| 8   | MIA11778  | SEAL KIT        | 1   |            |
| 9   | LG391086S | SEAL            | 1   |            |
| 10  | MIA13209  | RESERVOIR       | 1   |            |
| 11  | LG691045  | CRANK           | 1   | Governor   |
| 12  | M142280   | WASHER          | 1   |            |
| 13  | M142282   | BUSHING         | 2   |            |
| 14  | M142286   | RETAINER        | 2   |            |
| 15  | MIU12503  | BUSHING         | 1   |            |
| 16  | MIU11284  | SEAL            | 1   |            |
| 17  | MIU11958  | SEAL            | 1   |            |
| 18  | LG690954  | THREADED NIPPLE | 1   | Oil Filter |
| 19  | 15H623    | PIPE PLUG       | 1   | 3/8"       |
| 20  | MIU12140  | SCREEN          | 1   |            |
| 21  | 15H638    | PIPE PLUG       | 1   | 1/8"       |
| 22  | AM125424  | OIL FILTER      | 1   |            |
| 23  | PM37469   | LIQUID GASKET   | 1   | Crankcase  |
| 24  | M142896   | SCREW           | 10  |            |
| 25  | MIU14391  | HOSE            | 1   | Oil Drain  |
| 26  | MIU14390  | HOSE FITTING    | 1   |            |
| 27  | MIU12143  | OIL PUMP        | 1   |            |
| 28  | MIA11464  | COVER           | 1   | Oil Pump   |
| 29  | MIU12153  | SEAL            | 1   |            |
| 30  | MIU12142  | SCREW           | 3   |            |
| 31  | LG690959  | DOWEL PIN       | 2   |            |
| 32  | UC12131   | PIN             | 1   |            |



| KEY | PART NO.  | PART NAME       | QTY | REMARKS     |  |
|-----|-----------|-----------------|-----|-------------|--|
| 1   | MIA11457  | CRANKSHAFT      | 1   |             |  |
| 2   | LG690980  | GEAR            | 1   | Timing      |  |
| 3   | 26H4      | SHAFT KEY       | 1   | 1/8" X 3/8" |  |
| 4   | LG222698S | SHAFT KEY       | 1   | Flywheel    |  |
| 5   | MIA11459  | CONNECTING ROD  | 2   |             |  |
| 6   | LG690976  | SCREW           | 4   |             |  |
| 7   | MIA10996  | PISTON          | 2   | STD         |  |
| 7   | MIA11788  | PISTON          | 2   | 0.50 mm     |  |
| 8   | MIU11282  | PISTON RING KIT | 2   | STD         |  |
| 8   | MIU11283  | PISTON RING KIT | 2   | 0.50 mm     |  |
| 9   | LG690975  | LOCK            | 2   |             |  |
| 10  | MIA11458  | PISTON PIN      | 2   |             |  |
| 11  | MIA10916  | CAMSHAFT        | 1   |             |  |
| 12  | LG690977  | TAPPET          | 4   | Valve       |  |
| 13  | 14H810    | NUT             | 1   | 7/8"        |  |
| 14  | LG691056  | WASHER          | 1   | Flywheel    |  |



Thank you so much for reading.  
Please click the “Buy Now!”  
button below to download the  
complete manual.



After you pay.

You can download the most  
perfect and complete manual in  
the world immediately.

Our support email:

[ebooklibonline@outlook.com](mailto:ebooklibonline@outlook.com)