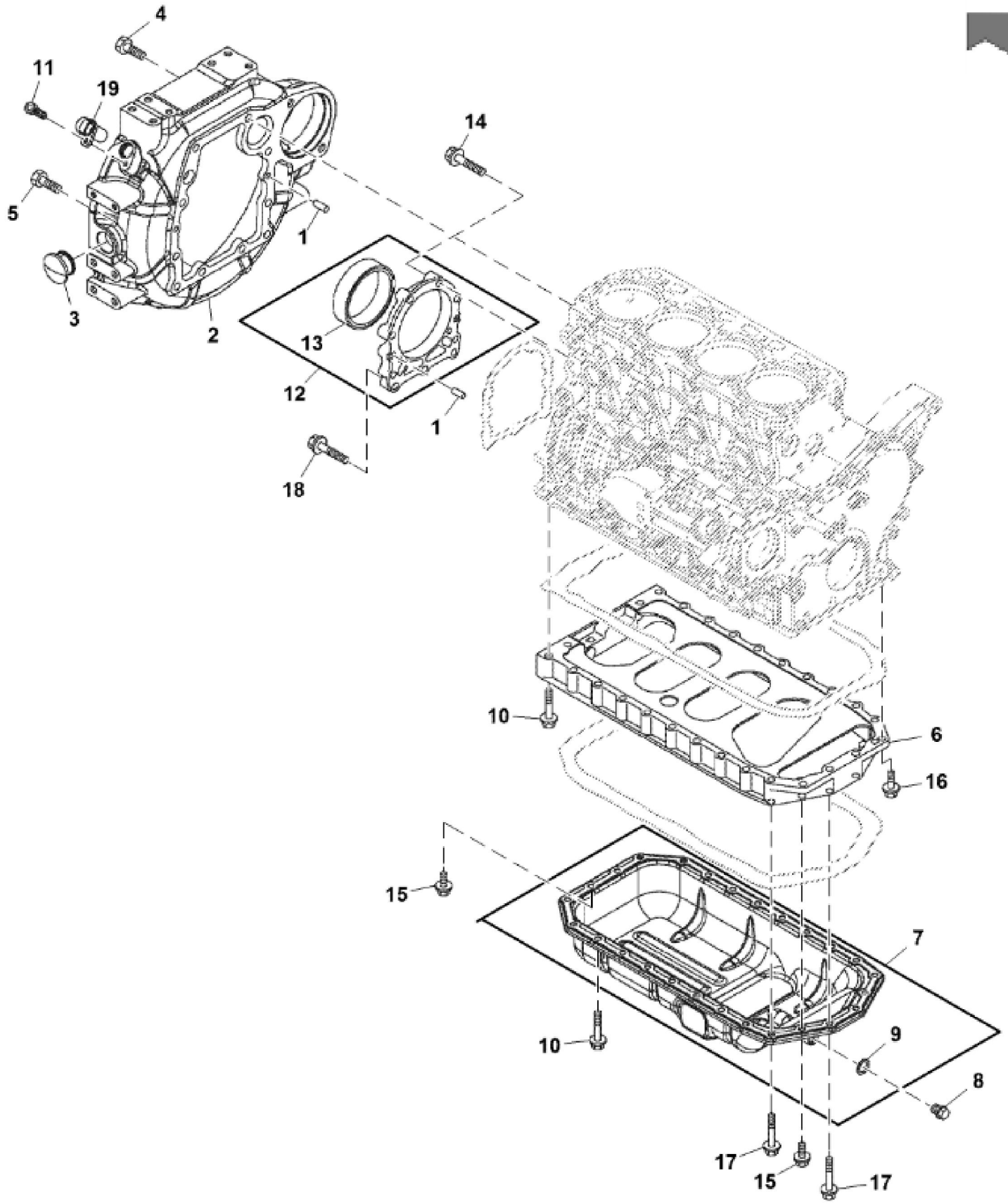


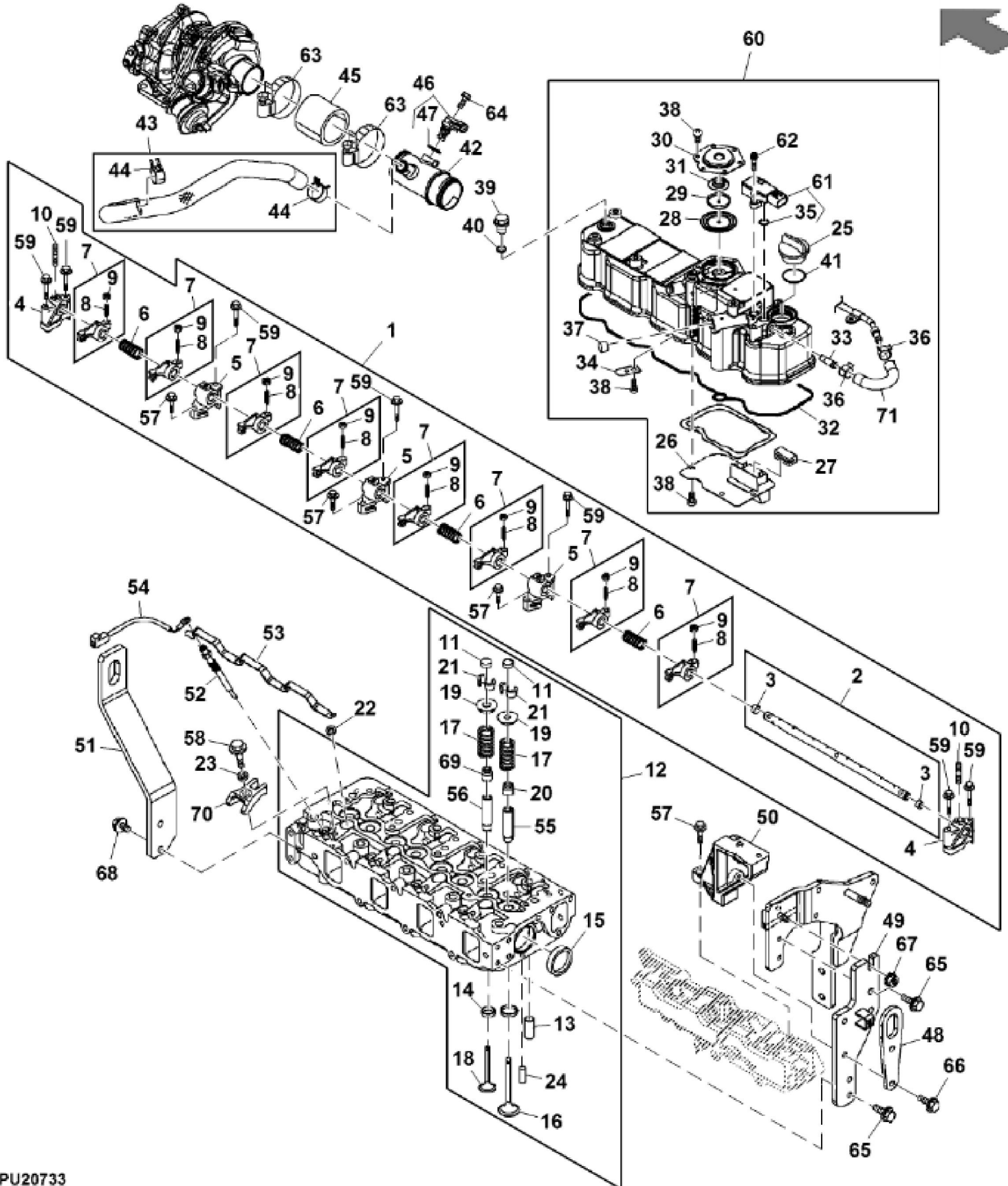
KEY	PART NO.	PART NAME	QTY	REMARKS	
1	MIA883060	CYLINDER BLOCK	1		
2	M809565	PLUG	1	Drain	
3	M801189	BOLT	10		
4	MIU800573	BUSHING	1	Camshaft	
5	CH10314	PLUG	1		
6	CH10335	PLUG	3		
7	MIA880555	BEARING	2	Thrust	
7	MIA882809	BEARING KIT	2	OS= 0.25 mm, Thrust	
8	M87801	PLUG	1		
9	M801186	BOLT	18		
10	MIA882027	GASKET	1		
11	AM875371	BEARING KIT	5		
11	MIA880554	BEARING	5		
11	MIA880550	BEARING	5	US= 0.25 mm	
12	15H562	PIPE PLUG	1	1"	
13	30M7023	PLUG	8	Cap	

KEY	PART NO.	PART NAME	QTY	REMARKS	
1	MIU803102	GEAR CASE	1		
2	M802255	PIN	2		
3	M805710	CAP	1		
4	M800974	PIPE	2		
5	M810185	O-RING	2		
6	M809204	O-RING	1		
7	M805711	O-RING	1		
8	M811078	SEAL	1		
9	CH18096	COVER	1		
10	CH19136	BOLT	4		
11	19M7865	SCREW	7	M8 X 16	
12	19M7897	SCREW	1	M8 X 35	
13	19M8317	SCREW	7	M8 X 40	
14	19M7801	SCREW	3	M8 X 60	
15	M803523	WASHER	1		
16	MIA881991	COVER	1		



John Deere > Turf And Utility >MOWER, REEL-MOUNTED >8900A - MOWER, REEL-MOUNTED >8900A Large Area Reel Mower >20 ENGINE, 4TNV86CT-KJFM, TIER 4 >ST877323 - FLYWHEEL HOUSING AND OIL SUMP

KEY	PART NO.	PART NAME	QTY	REMARKS
1	M802255	PIN	4	
2	MIU802741	HOUSING	1	
3	M88659	PLUG	1	
4	19M7402	CAP SCREW	6	M10 X 25
5	19M7662	CAP SCREW	4	M10 X 30
6	M801207	INTERMEDIATE HOUSING	1	
7	MIA883135	OIL PAN	1	
8	T111565	PLUG	1	
9	M811568	WASHER	1	
10	CH19101	BOLT	20	
11	19M8553	SCREW	1	M6 X 16
12	AM875375	CASE	1	
13	M805278	SEAL	1	
14	M808308	BOLT	6	
15	19M7865	SCREW	4	M8 X 16
16	CH19085	BOLT	2	
17	19M7800	SCREW	4	M8 X 50
18	19M7897	SCREW	3	M8 X 35
19	MIU802138	SENSOR	1	Flywheel



Thank you so much for reading.
Please click the “Buy Now!”
button below to download the
complete manual.



After you pay.

You can download the most
perfect and complete manual in
the world immediately.

Our support email:

ebooklibonline@outlook.com