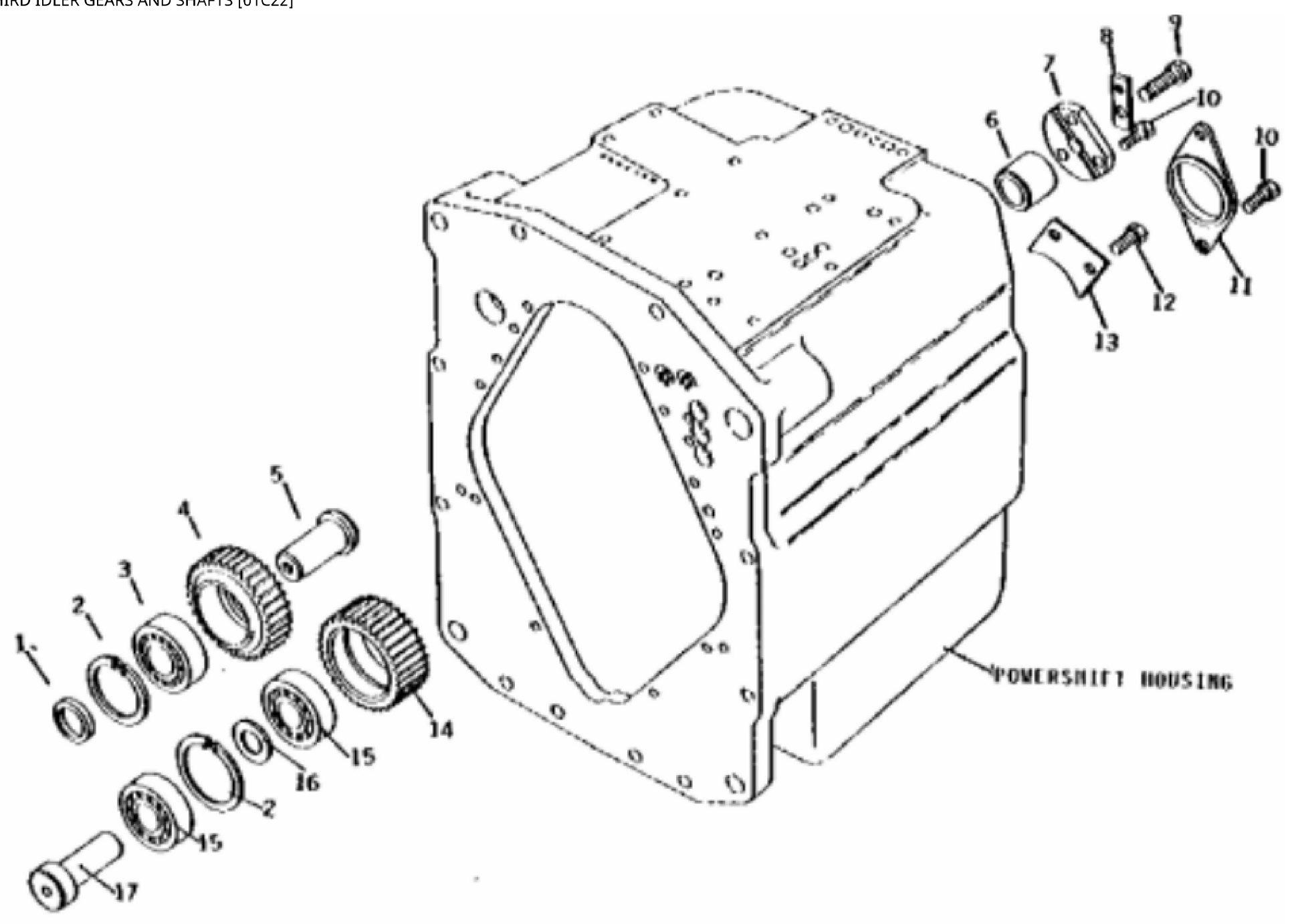


T60359F

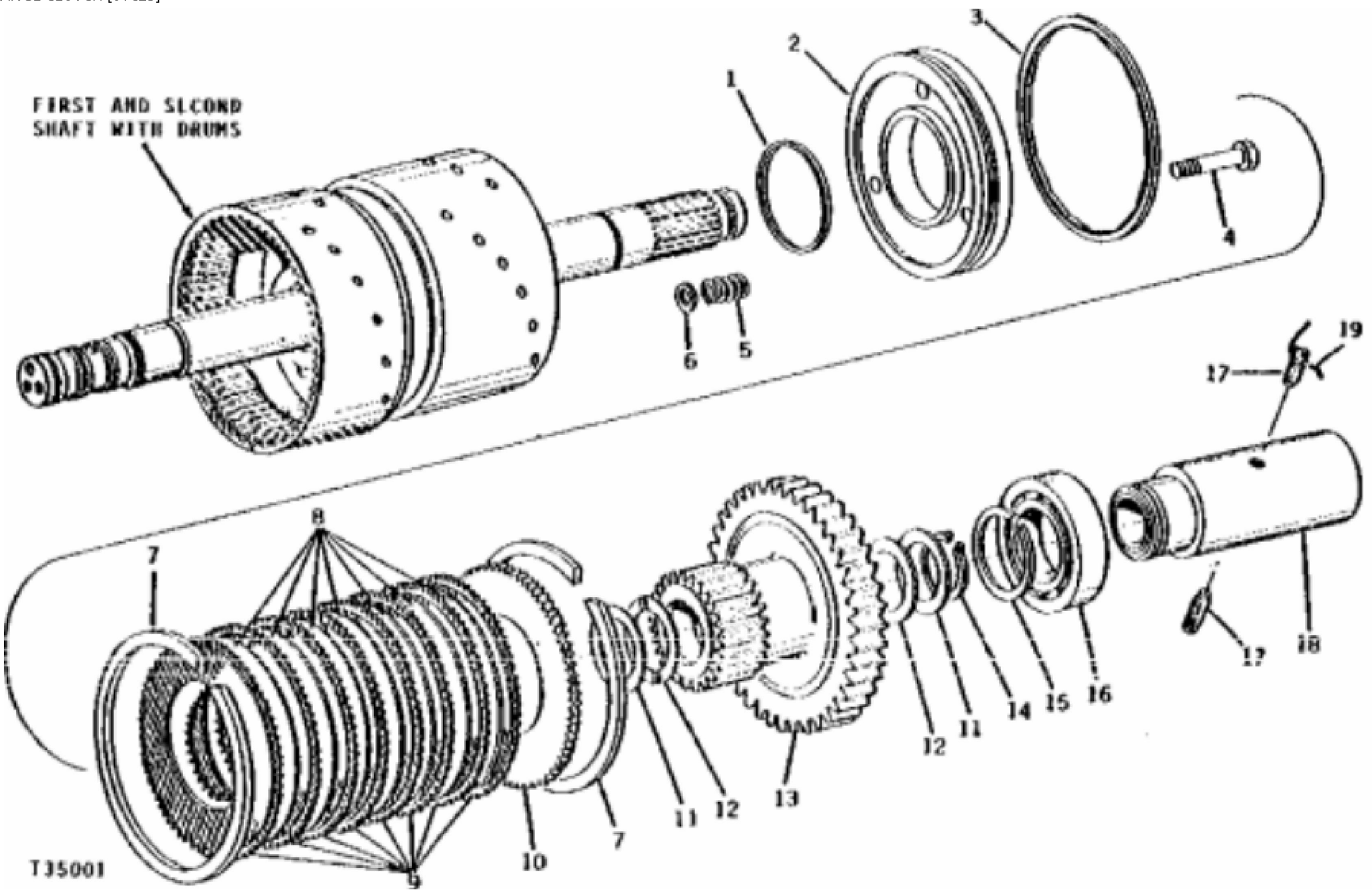
KEY	PART NO.	PART NAME	QTY	Serial No.	REMARKS
1	T42687	BUSHING	2		
2	AT40189	COVER	1		(SUB T41186 AND (2) T42687)
3	19H1805	CAP SCREW	8		1/2" X 2-1/4"
4	12H301	LOCK WASHER	8		1/2"
5	19H3385	CAP SCREW	1		1/2" X 1-1/8"
6	12H304	LOCK WASHER	10		3/8"
7	19H1726	CAP SCREW	6		3/8" X 2-1/4"
8	T41188	COVER	1		TOP REAR
9	T20758	O-RING	1	____-276320	
10	T20757	PLUG	1		
11	19H2664	CAP SCREW	3		5/16" X 3/4", (WITHOUT WINCH DRIVE)
12	12H303	LOCK WASHER	3		5/16", (WITHOUT WINCH DRIVE)
13	T15070	COVER	1		(WITHOUT WINCH DRIVE)
14	T12405	GASKET	1		(WITHOUT WINCH DRIVE)
15	T45617	HOUSING	1		
16	T20756	STUD	6	____-243172	
17	T10510	WASHER	6	____-243172	(USE IF AVAILABLE)
17	R78019	WASHER	6		(SUB FOR T10510)
18	14H794	NUT	6	____-243172	3/4"
19	T18621	DOWEL PIN	4		
20	19H2735	CAP SCREW	4		1/2" X 2"
21	T21655	PIN	4		
22	19H2473	CAP SCREW	12		1/2" X 1-3/4"
22	TY9371	SEALANT	1		(ON ALL ATTACHING HARDWARE SPIRAL BEVEL HOUSING TO POWER SHIFT HOUSING)
23	19H2644	CAP SCREW	3		1/2" X 2-1/2"
24	19H2633	CAP SCREW	3		3/8" X 1-1/2", (FRONT AND L.H. SIDE)
..	T43514	GASKET	1		60 ML (2 OZ.) BOTTLE, (SUB FOR AT26340)



135023

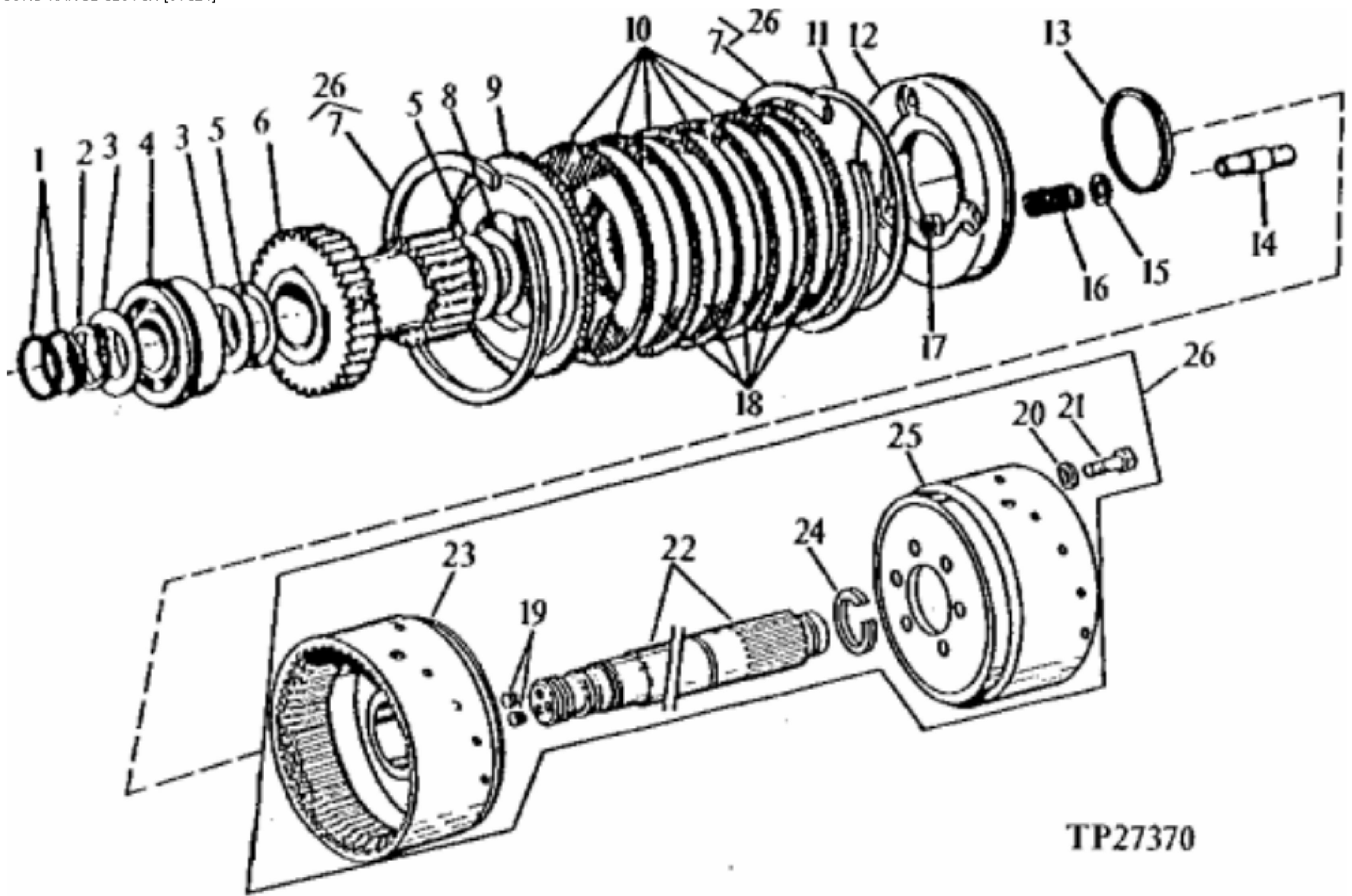
John Deere > Construction And Forestry >BULLDOZER >550 - BULLDOZER >550 Crawler Bulldozer >3 TRANSMISSION 3 >GEARS, SHAFTS, BEARINGS, AND POWER SHIFT CLUTCH 0350 >00350-1 - FORWARD AND THIRD IDLER GEARS AND SHAFTS [01C22]

KEY	PART NO.	PART NAME	QTY	REMARKS
1	T45665	WASHER	1	BEARING FRONT IDLER
2	T45663	SNAP RING	2	RETAINING INTERNAL
3	JD9511	CYLINDRICAL ROLLER BEARING	1	
4	T45652	GEAR	1	THIRD IDLER
5	T45295	SHAFT	1	THIRD IDLER, (SUB FOR T45660)
6	T45667	SPACER	1	FORWARD IDLER
7	T45655	PLATE	1	PLATE, FORWARD IDLER SHAFT
8	T45668	STRAP	1	
9	19H2993	CAP SCREW	1	1/2" X 1-1/2"
10	19H3239	CAP SCREW	5	3/8" X 1-1/4"
11	T45661	RETAINER	1	RETAINER, THIRD CLUTCH
12	19H2284	CAP SCREW	2	3/8" X 7/8"
13	T45662	RETAINER	1	RETAINER, COUNTERSHAFT
14	T45651	GEAR	1	
15	JD9513	CYLINDRICAL ROLLER BEARING	2	
16	T45666	WASHER	1	
17	T45659	PIN FASTENER	1	



John Deere > Construction And Forestry >BULLDOZER >550 - BULLDOZER >550 Crawler Bulldozer >3 TRANSMISSION 3 >GEARS, SHAFTS, BEARINGS, AND POWER SHIFT CLUTCH 0350 >00350-2 - FIRST RANGE CLUTCH [01C23]

KEY	PART NO.	PART NAME	QTY	REMARKS
1	T44810	RING	1	
2	T44822	PISTON	1	
3	AT43725	RING	1	SEALING WITH EXPANDER
4	T44826	CAP SCREW	3	
5	T44812	COMPRESSION SPRING	3	PISTON RETURN (WITH THREE HOLE PISTON)
5	T105142	EXTENSION SPRING	6	(WITH SIX HOLE PISTON)
6	T44816	WASHER	3	
7	T44806	RING	2	
8	T44804	CLUTCH PLATE	7	STEEL CLUTCH
9	T44805	CLUTCH PLATE	8	
10	T44803	PLATE	1	
11	T44807	THRUST BEARING RACE	2	
12	T44815	WASHER	2	
13	AT43732	GEAR	1	(MARKED UXB7224) (48 TEETH)
14	U11031	SNAP RING	1	(SUB FOR T44808)
15	T44824	SNAP RING	1	
16	JD8537	BALL BEARING	1	
17	T44825	SET SCREW	2	
18	AT43733	COUPLING	1	(MARKED UXB7224)
19	T44829	WIRE	1	



TP27370

Thank you so much for reading.  
Please click the “Buy Now!”  
button below to download the  
complete manual.



After you pay.

You can download the most  
perfect and complete manual in  
the world immediately.

Our support email:

[ebooklibonline@outlook.com](mailto:ebooklibonline@outlook.com)