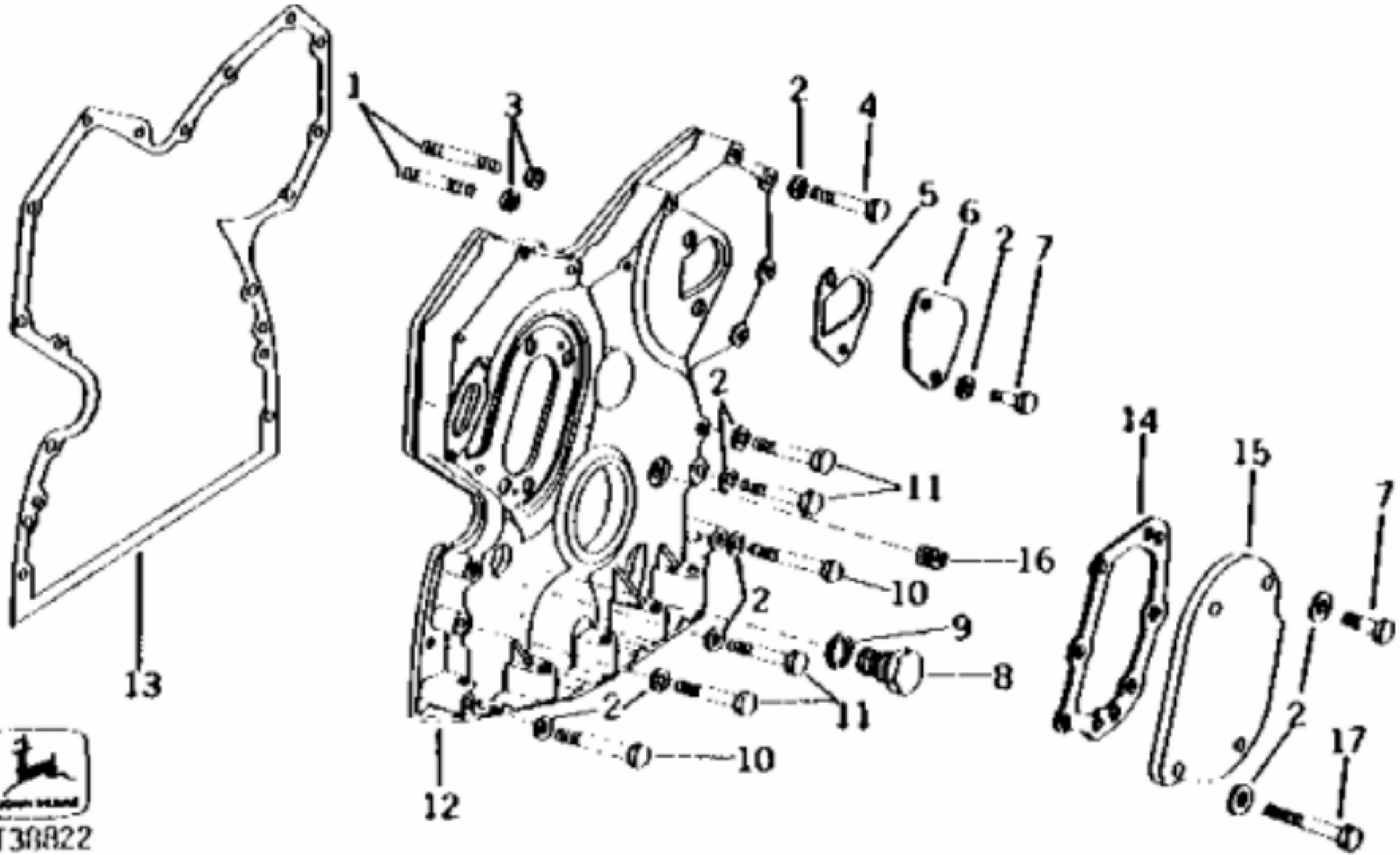


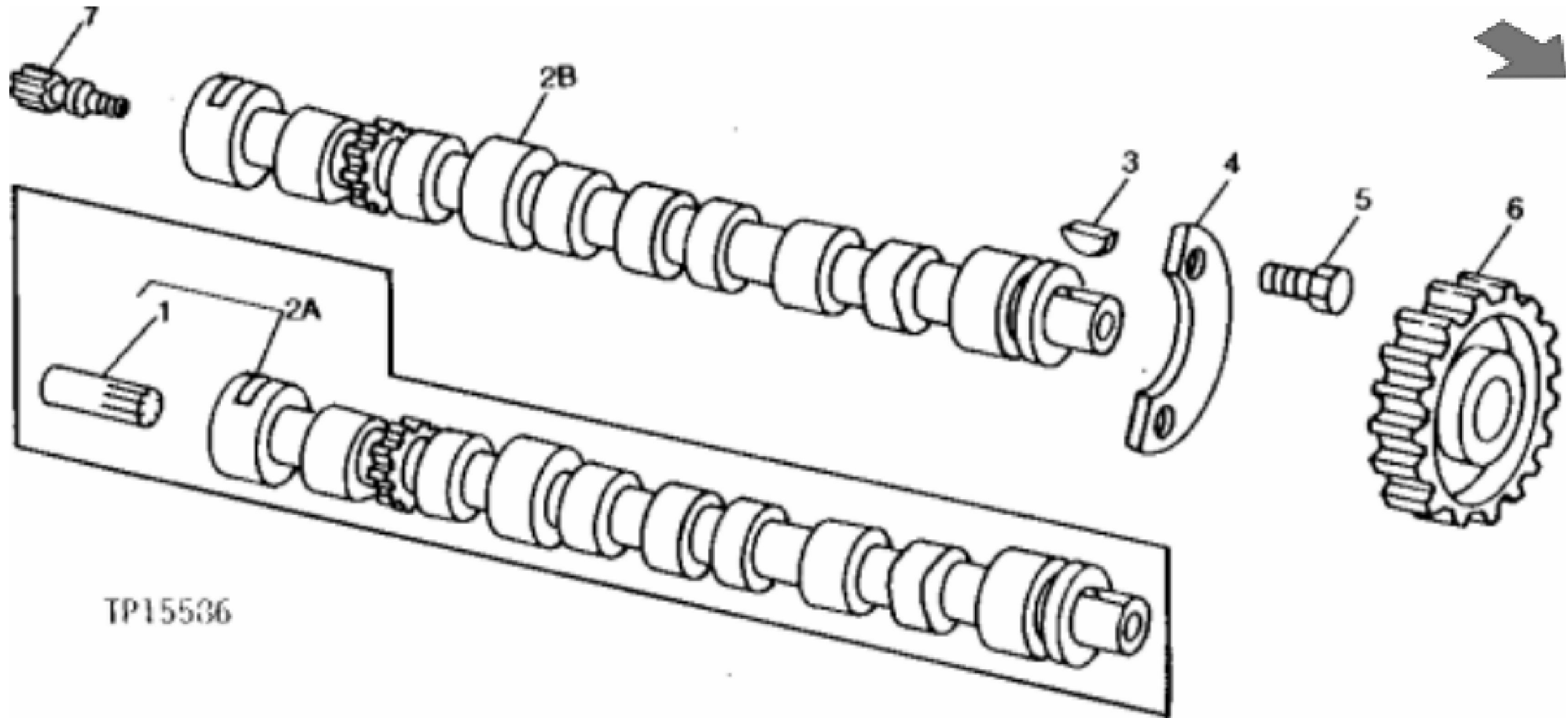
KEY	PART NO.	PART NAME	QTY	Serial No.	REMARKS
1	19H2036	CAP SCREW	1		1/4" X 7/8"
2	12H302	LOCK WASHER	1		1/4"
3	R64764	WASHER	1		(SUB FOR L186T)
4	AR65864	FILLER CAP	1		
5	AR45530	SCREW WITH WASHER	7	____-598042	(SUB AR103811)
5	AR103811	SCREW WITH WASHER	7		(SUB FOR AR100124)
6	AR71130	VALVE COVER	1		
7	T20075	GASKET	1	____-598042	(SUB (8) AR103811 AND AR100596)
7	AR100596	GASKET	1	598043-____	



T30822

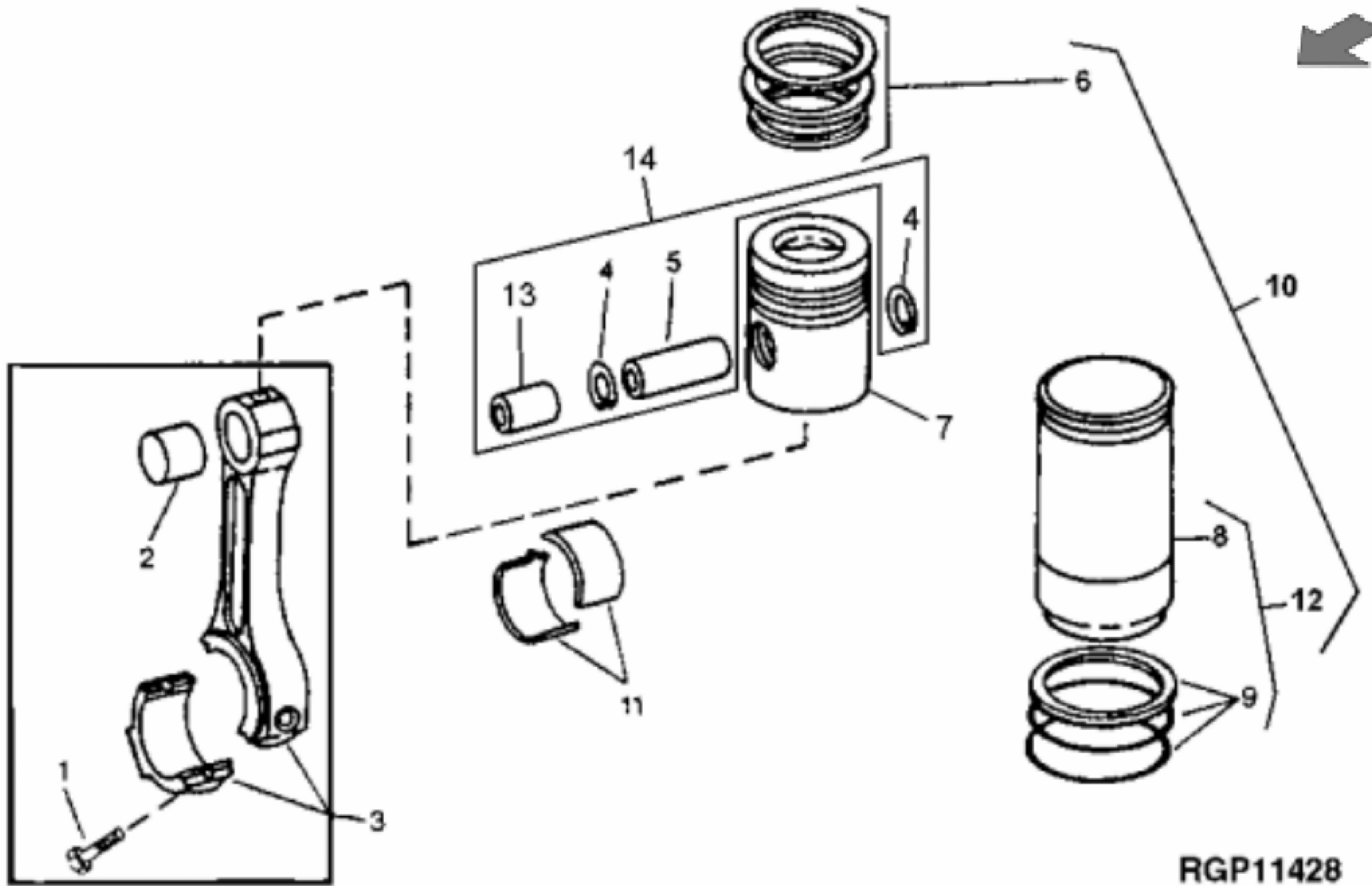
John Deere > Construction And Forestry >CRAWLER LOADER >555 - CRAWLER LOADER >555 Crawler Loader >4 ENGINE 4 >CAMSHAFTS AND VALVE ACTUATING MEANS 0402 >0402-3 - TIMING GEAR COVER [01D25]

KEY	PART NO.	PART NAME	QTY	Serial No.	REMARKS
1	R122226	STUD	2		(SUB FOR R122226)
2	24H1304	WASHER	AR		13/32" X 23/32" X 0.120"
3	14H812	NUT	2		3/8"
4	19H2549	CAP SCREW	6		3/8" X 1-7/8"
5	T20364	GASKET	1	____-483159	(SUB R78366)
5	R78366	GASKET	1		(SUB FOR R69260)
6	R126041	COVER	1		(SUB FOR T20362)
7	19H2284	CAP SCREW	3		3/8" X 7/8"
7	R124277	CAP SCREW	2		(USE WITH R126041) (SUB FOR R122618, THIS APPLICATION)
8	T27657	FITTING PLUG	1		
9	A4827R	WASHER	1		
10	19H3031	CAP SCREW	2		3/8" X 2-1/2"
11	19H2549	CAP SCREW	4		3/8" X 1-7/8"
12	AR58196	COVER	1		(MARKED R52880) (ALSO ORDER T20272, T20273, (3) 19H2284, 19H1726, (4) 24H1304 AND 15H275)
13	T20155	GASKET	1		
14	T20273	GASKET	1		
15	T20272	COVER	1		
16	15H275	PIPE PLUG	1		1/4"
17	19H1726	CAP SCREW	1		3/8" X 2-1/4"



TP15536

KEY	PART NO.	PART NAME	QTY	REMARKS	
1	T31947	GEAR	1	(USE WITH AT30965)	
2A	AT30965	CAMSHAFT	1	(MARKED T20014) (SUB R82820 AND R81515)	
2B	R82820	CAMSHAFT	1		
3	T28041	SHAFT KEY	1		
4	T20072	PLATE	1		
5	19H2676	CAP SCREW	2	3/8" X 1"	
6	T20070	HELICAL GEAR	1	(48 TEETH)	
7	R81515	GEAR	1		



RGP11428

Thank you so much for reading.  
Please click the “Buy Now!”  
button below to download the  
complete manual.



After you pay.

You can download the most  
perfect and complete manual in  
the world immediately.

Our support email:

[ebooklibonline@outlook.com](mailto:ebooklibonline@outlook.com)