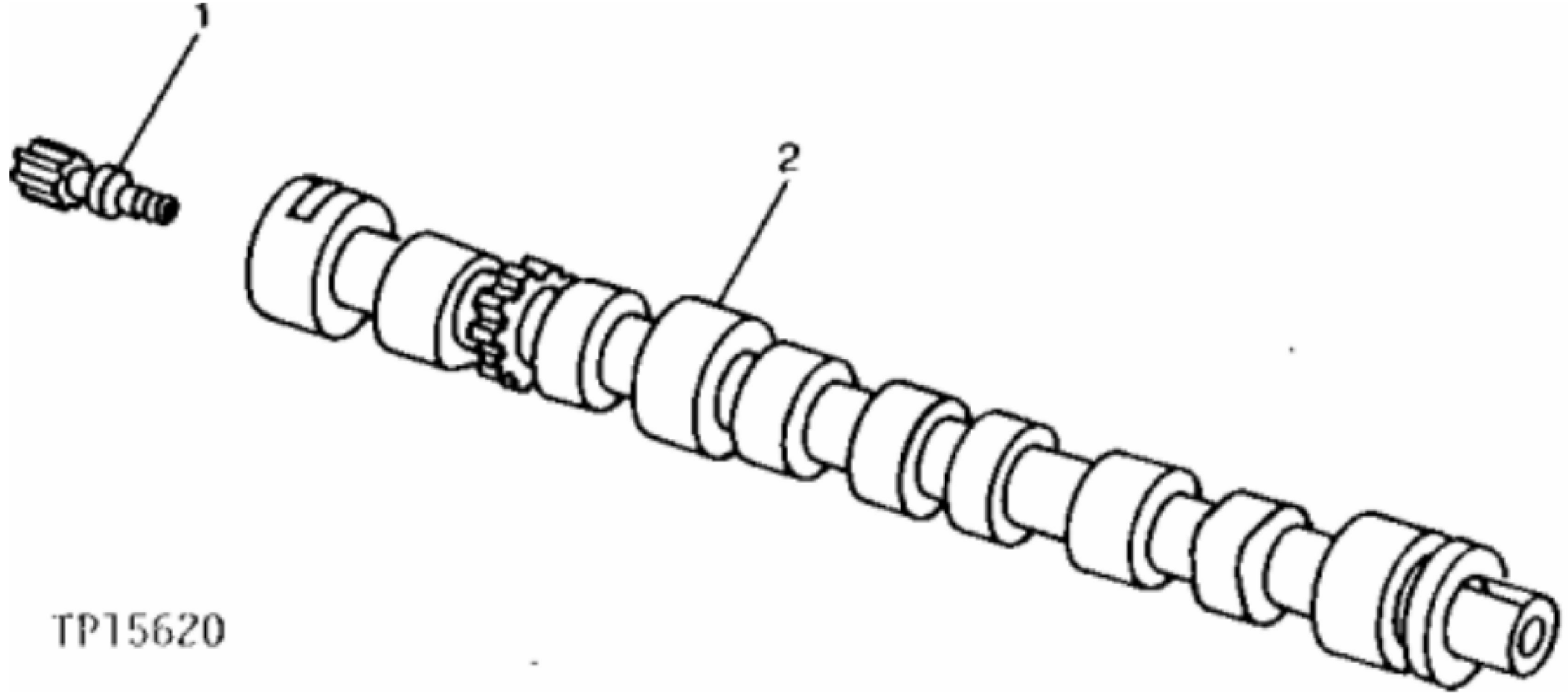


T36075

John Deere > Construction And Forestry >CRAWLER LOADER >350C - CRAWLER LOADER >350C Crawler Bulldozer, Loader >4 ENGINE 4 >CAMSHAFT AND VALVE ACTUATING MEANS 0402 >00402-1 -
 ROCKER ARM COVER (ENGINE SERIAL NO. 329334-621172) (MANUFACTURED 1974-1983) (ENGINE SERIAL NO. 100001-) (MANUFACTURED 1983-) [01D20]

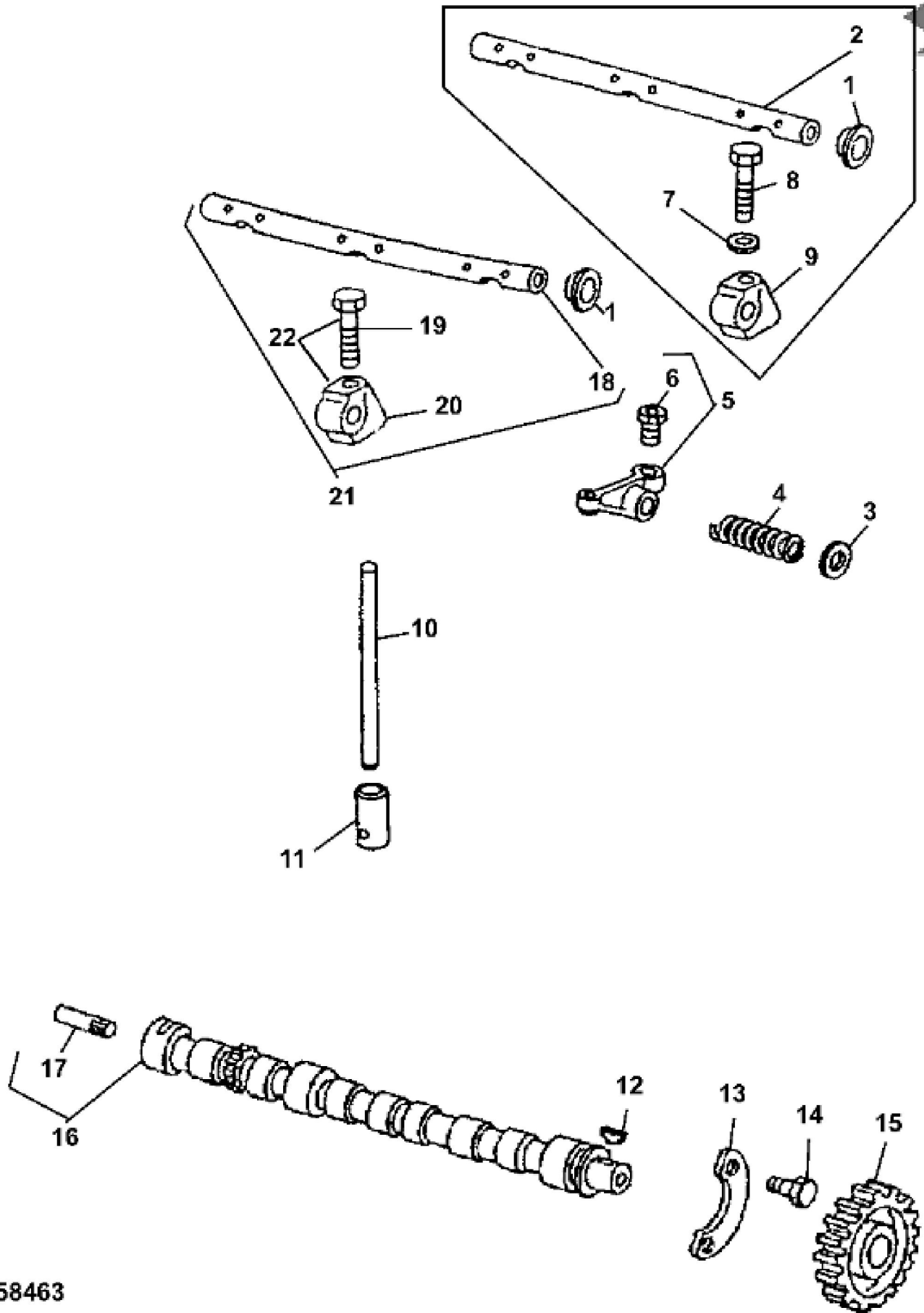
KEY	PART NO.	PART NAME	QTY	Engine Serial No.	REMARKS
1	RE44202	VALVE COVER	1		(SUB FOR AT18016, ALSO ORDER RE32140 SCREW WITH WASHER)
2	AR45530	SCREW WITH WASHER	6	____-608618	
2	AR103811	SCREW WITH WASHER	6	608619-____	(SUB FOR AR100124)
3	T20111	GASKET	1	____-608618	(SUB AR102261 AND (6) AR103811)
3	AR102261	GASKET	1	608619-____	



TP15620

John Deere > Construction And Forestry >CRAWLER LOADER >350C - CRAWLER LOADER >350C Crawler Bulldozer, Loader >4 ENGINE 4 >CAMSHAFT AND VALVE ACTUATING MEANS 0402 >00402-1A - REPLACEMENT CAMSHAFT [01D21]

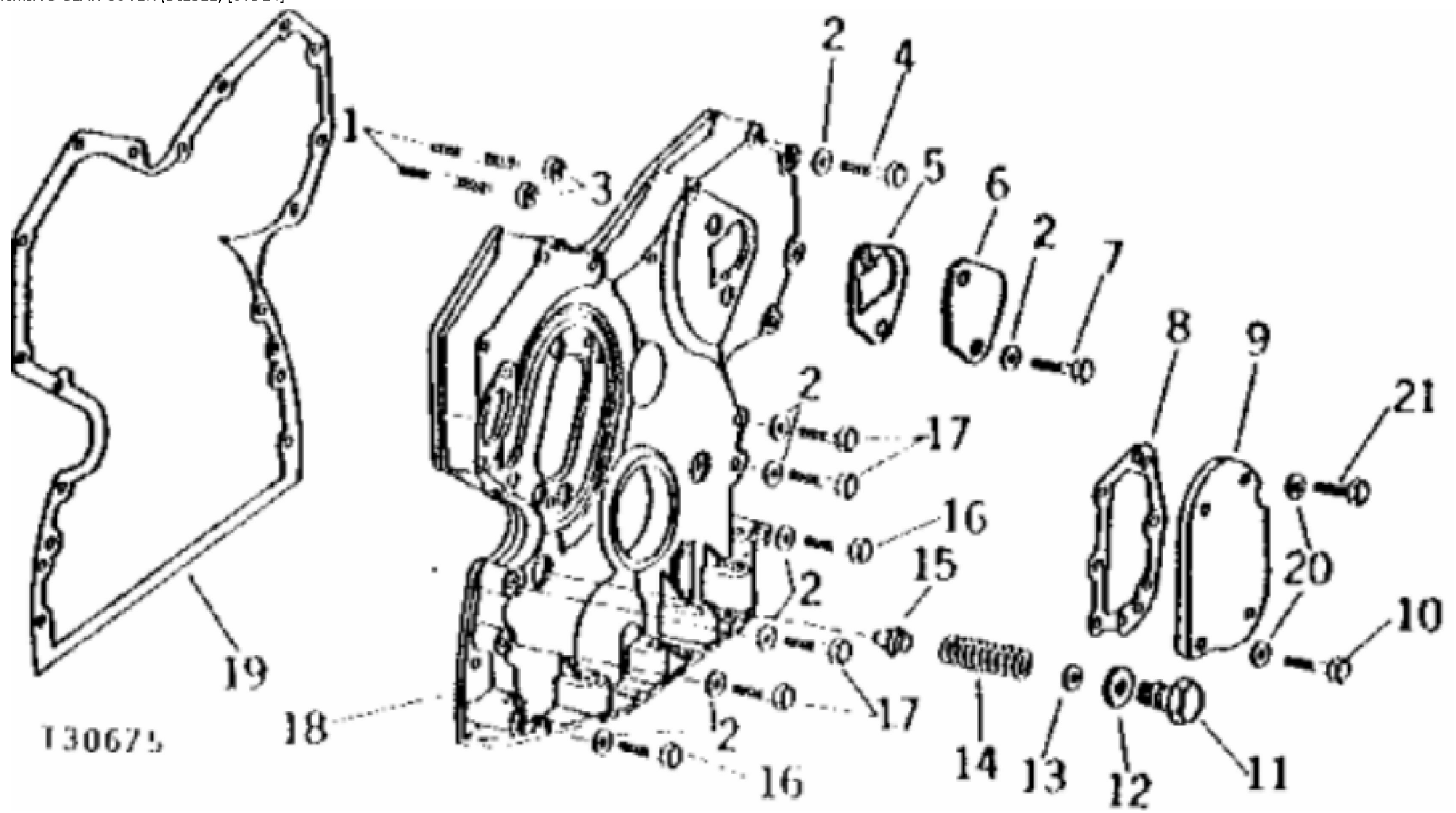
KEY	PART NO.	PART NAME	QTY	REMARKS	
1	R81515	GEAR	1	(12 TEETH)	
2	R82819	CAMSHAFT	1		



TP58463

John Deere > Construction And Forestry >CRAWLER LOADER >350C - CRAWLER LOADER >350C Crawler Bulldozer, Loader >4 ENGINE 4 >CAMSHAFT AND VALVE ACTUATING MEANS 0402 >00402-2 -
ROCKER ARM SHAFT, PUSH RODS AND ROCKER ARMS [01D22]

KEY	PART NO.	PART NAME	QTY	REMARKS
1	R54565	PLUG	2	
2	R54985	ROCKER ARM SHAFT	1	(SUB RE502875) (USE WITH 19H3031 AND T20315) ROCKER ARM
3	T20316	WASHER	2	BOWED
4	T20314	SPRING	2	
5	RE31973	ROCKER ARM	6	(SUB FOR AT31250, AR103769 AND RE19031)
6	T32213	SCREW	1	(SUB RE31973)
7	R42729	WASHER	3	(SUB FOR T23594)
8	19H3031	CAP SCREW	3	3/8" X 2-1/2"
9	T20315	SUPPORT	3	(SUB RE502861) (USE WITH 19H3031 AND R54985)
10	R82896	PUSH ROD	6	(SUB FOR T20310) (DIESEL)
11	T20073	TAPPET	6	
12	T28041	SHAFT KEY	1	
13	T20072	PLATE	1	
14	19H2676	CAP SCREW	2	3/8" X 1"
15	T20070	HELICAL GEAR	1	CAMSHAFT (48 TEETH)
16	AT31015	CAMSHAFT	1	(MARKED T20016) (DIESEL) (SUB R82819 AND R81515)
17	T31947	GEAR	1	TACHOMETER DRIVE (12 TEETH)
18	R501532	SHAFT	1	
19	R504813	SELF-LOCKING SCREW	AR	(SUB FOR R501529)
19	19H3031	CAP SCREW	AR	3/8" X 2-1/2"
20	R123161	SUPPORT	3	
21	RE502875	ROCKER ARM SHAFT	1	
22	RE502861	SUPPORT	1	



130675

Thank you so much for reading.
Please click the “Buy Now!”
button below to download the
complete manual.



After you pay.

You can download the most
perfect and complete manual in
the world immediately.

Our support email:

ebooklibonline@outlook.com