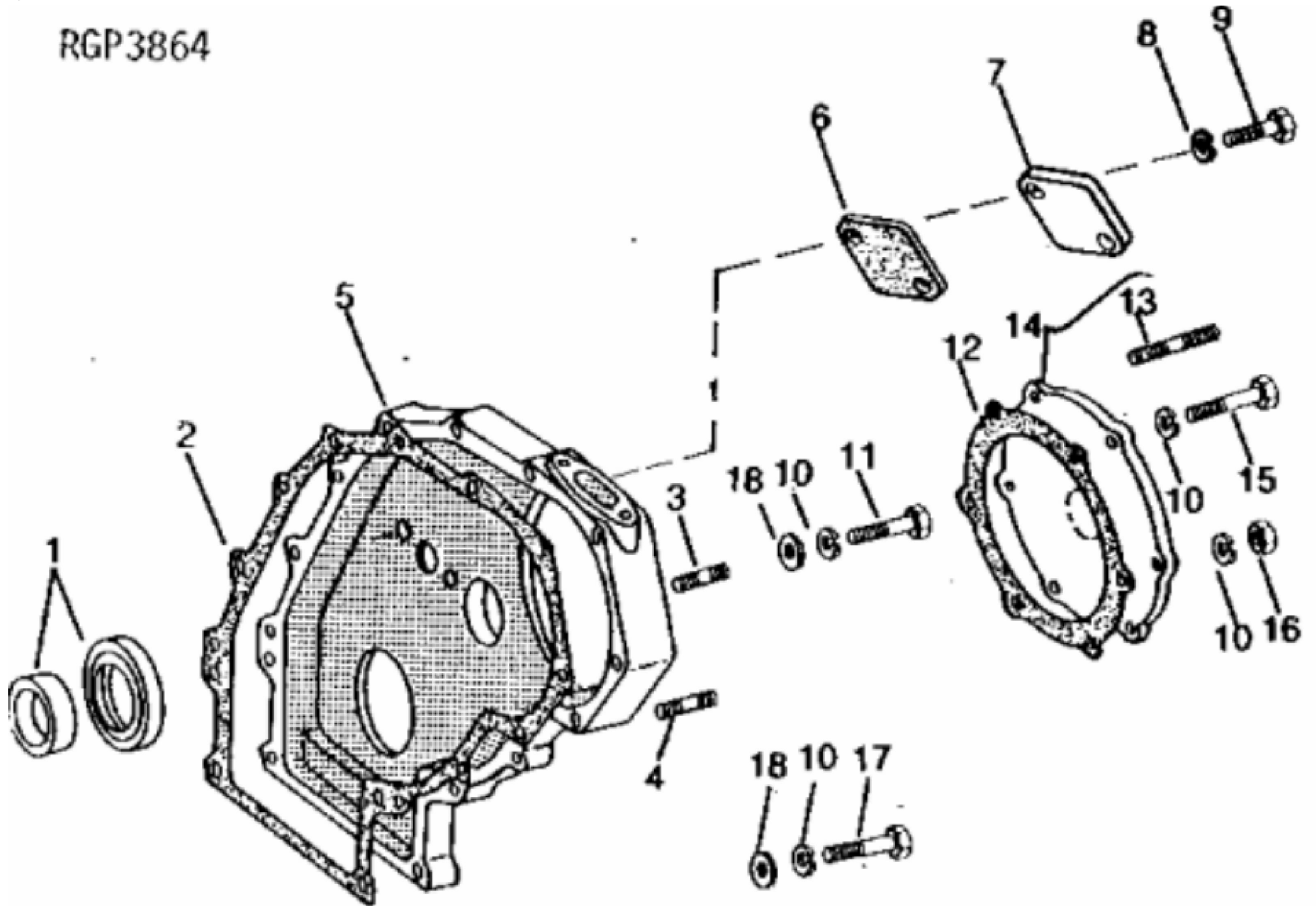


119210

KEY	PART NO.	PART NAME	QTY	REMARKS
1	R46984	GASKET	1	
2	R47105	STUD	2	
3	R48893	HOUSING	1	(NLA)
4	19H2915	CAP SCREW	1	5/16" X 1-1/4"
5	AR49025	SEAL	1	
6	R47047	GASKET	1	
7	AR49539	COVER	1	
8	24H1136	WASHER	16	11/32" X 11/16" X 0.065"
9	12H303	LOCK WASHER	16	5/16"
10	19H3636	CAP SCREW	1	5/16" X 2-1/2"
11	19H3131	CAP SCREW	10	5/16" X 2"
12	14H785	NUT	3	5/16"
13	R47104	STUD	3	(NLA)
14	19H2661	CAP SCREW	2	5/16" X 1-3/8"

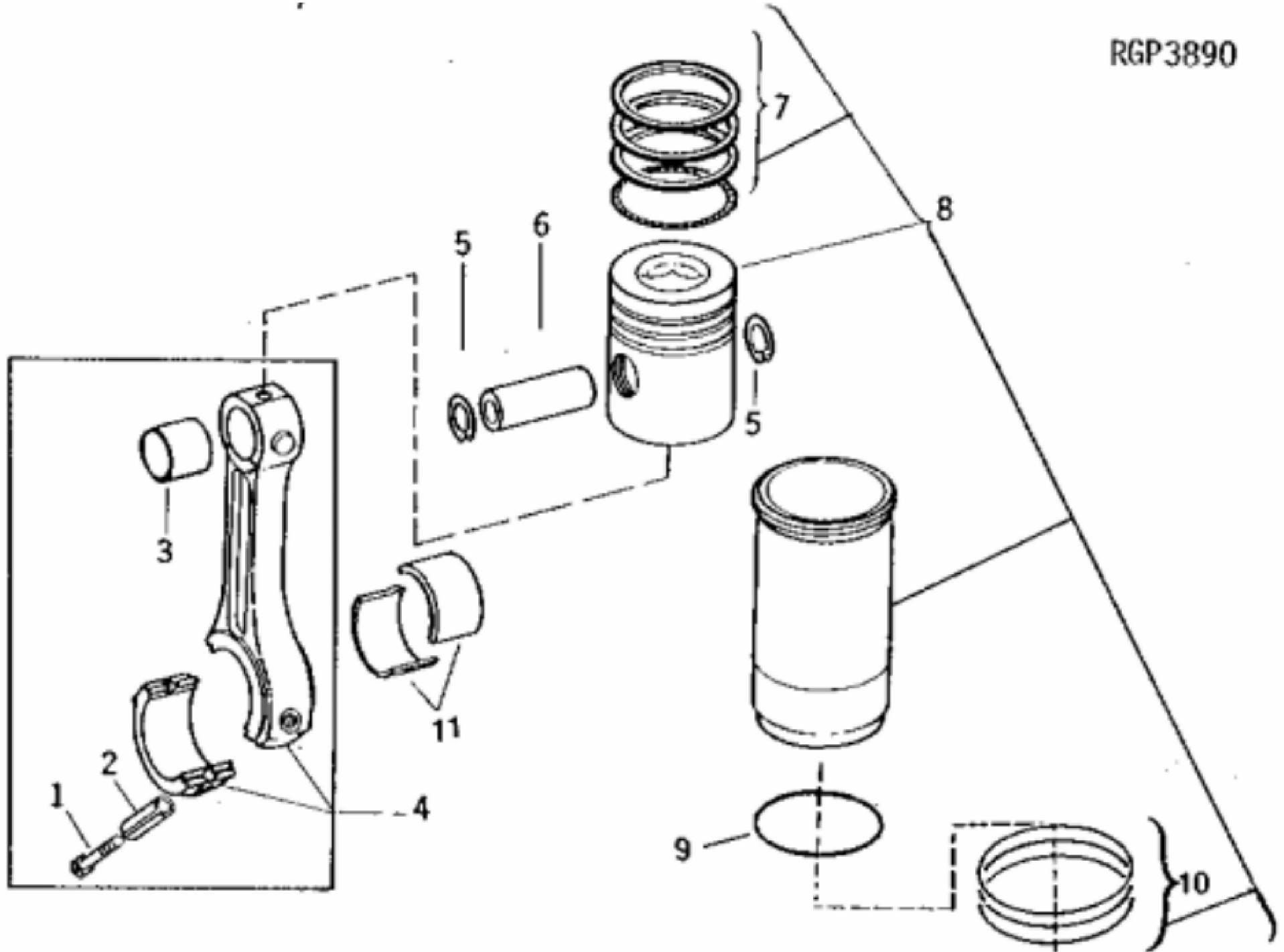
RGP3864



COVER (JD646-B W/6531) [02C11]

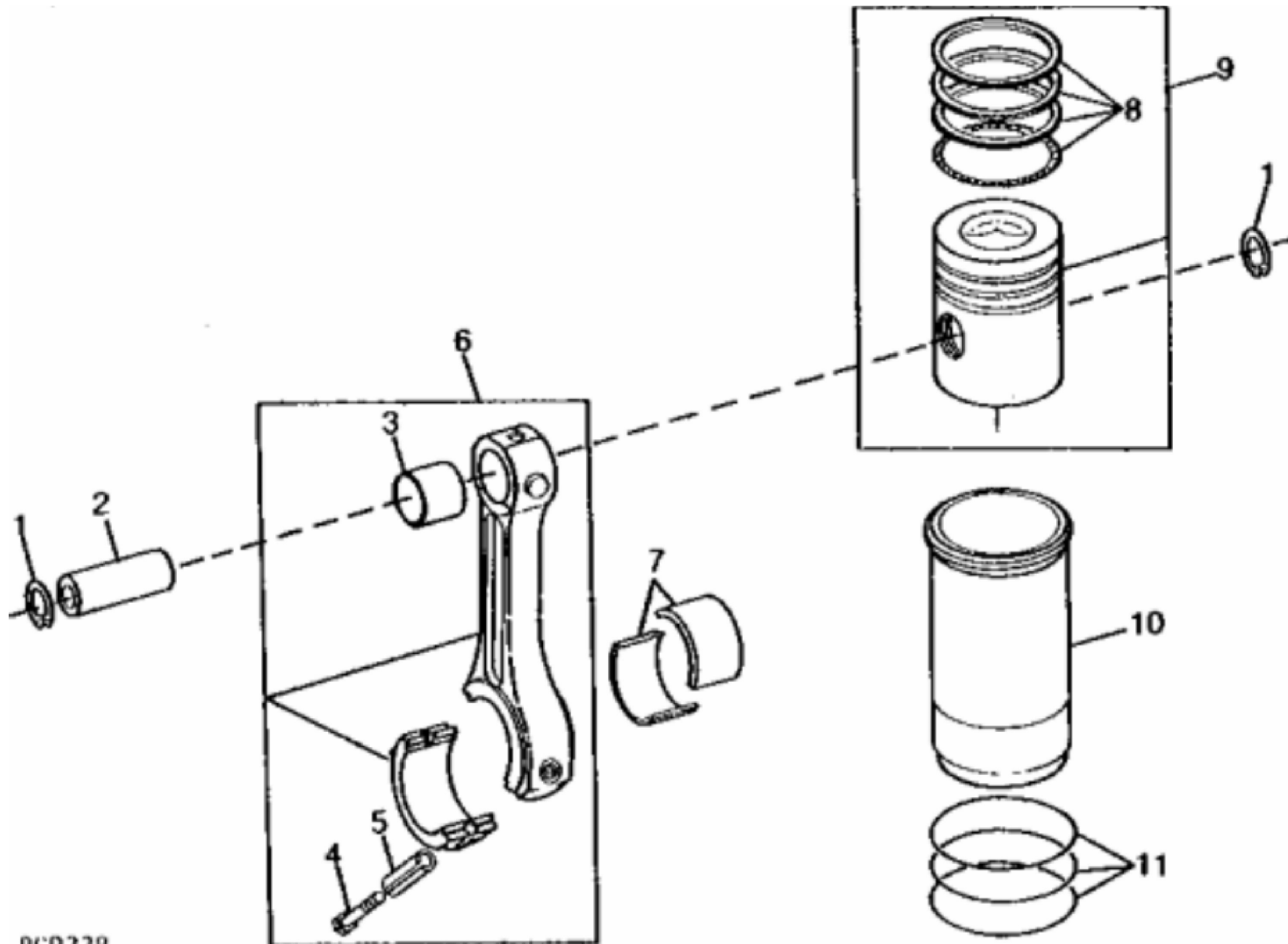
KEY	PART NO.	PART NAME	QTY	Engine Serial No.	REMARKS	
1	AR49025	SEAL	1			
2	R49483	GASKET	1			
3	R699R	STUD	1		(SUB R51604 AND T20173, THIS APPLICATION)	
3	D2420R	STUD	1			
4	R32042	STUD	2			
5	AR67511	COVER	1	____-304571	(MARKED R48835) (SUB R110147, THIS APPLICATION) (ALSO ORDER R67770, R67769, (2) 12H302, (2) 19H1948, AR49025, R49483, (2) R32042, R699R OR D2420R AND (9) 24H1305)	
5	AR88415	COVER	1	304572-308093	(MARKED R67342) (SUB R110147, THIS APPLICATION) (ALSO ORDER AR49025, R49483, (2) R32042, R699R OR D2420R AND (9) 24H1305)	
5	R110147	COVER	1	308094-____	(ALSO ORDER AR49025, R49483, (2) R32042, R699R OR D2420R AND (9) 24H1305) (SUB FOR RE10830 OR R77301)	
6	R67770	GASKET	1	304572-____		
7	R67769	COVER	1	304572-____		
8	12H302	LOCK WASHER	2	304572-____	1/4"	
9	19H1948	CAP SCREW	2	304572-____	1/4" X 3/4"	
10	12H304	LOCK WASHER	15		3/8"	
11	19H1801	CAP SCREW	5		3/8" X 2"	
12	R35349	GASKET	1			
13	R55396	STUD	1		(SUB FOR M3636T OR R56481) (SUB R51604 AND R114130, THIS APPLICATION)	
13	R114130	STUD	1			
14	AR67538	COVER	1		(MARKED R55506) (SUB RE42820 AND R51604)	
14	RE42820	COVER	1		(MARKED R55506 OR R105579) (SUB FOR RE14129)	
15	19H2128	CAP SCREW	3		3/8" X 3"	
15	19H1733	CAP SCREW	1		3/8" X 2-1/2"	
16	14H1076	NUT	1		3/8"	
17	19H2633	CAP SCREW	4		3/8" X 1-1/2"	
18	24H1305	WASHER	9		13/32" X 13/16" X 0.065", (USE WITH R110147)	

RGP3890



John Deere > Construction And Forestry > COMPACTOR > 646B - COMPACTOR > 646 and 646B Compactors > 4 ENGINE 4 > CONNECTING RODS AND PISTONS 0403 > 0403-1 - PISTON, RINGS, LINERS AND CONNECTING RODS (JD646 W/6404 ESN -223644) [02C12]

KEY	PART NO.	PART NAME	QTY	REMARKS
1	R66452	CAP SCREW	12	(SUB FOR R26325 OR R53290)
2	R53292	SLEEVE	12	
3	R42173	BUSHING	6	
4	AR86980	CONNECTING ROD	6	(MARKED R41423, R53288, R58882 OR R66922) (SUB FOR AR41056, AR59422 OR AR70912) (SUB SE500080)
4	SE500080	CONNECTING ROD	6	(REMANUFACTURED)
5	R41426	SNAP RING	12	
6	R41425	PISTON PIN	6	STANDARD
6	R54263	PISTON PIN	6	0.08 MM (.003") OVERSIZE (MARKED YELLOW) (SUB FOR R42174)
6	R54264	PISTON PIN	6	0.13 MM (.005") OVERSIZE (MARKED RED) (SUB FOR R42175)
7	AR51741	PISTON RING KIT	6	
8	AR51798	PISTON-LINER KIT	6	(MARKED AR50624 OR AR50940) (SUB RE69393)
8	RE69393	PISTON-LINER KIT	6	(MARKED RE67932)
8	RG27926	ENGINE OVERHAUL KIT	1	(CONTAINS (6) RE69393) (STD. BRGS.)
9	R116253	SHIM	AR	
10	AR65507	O-RING KIT	1	
11	AR45723	BEARING	AR	STANDARD (PKG. OF (2) R44378)
11	AR46395	BEARING	AR	0.05 MM (.002") UNDERSIZE (PKG. OF (2) R44925)
11	AR46396	BEARING	AR	0.25 MM (.010") UNDERSIZE (PKG. OF (2) R44926)
11	AR46397	BEARING	AR	0.51 MM (.020") UNDERSIZE (PKG. OF (2) R44927)
11	AR46398	BEARING	AR	0.76 MM (.030") UNDERSIZE (PKG. OF (2) R44928)



Thank you so much for reading.  
Please click the “Buy Now!”  
button below to download the  
complete manual.



After you pay.

You can download the most  
perfect and complete manual in  
the world immediately.

Our support email:

[ebooklibonline@outlook.com](mailto:ebooklibonline@outlook.com)