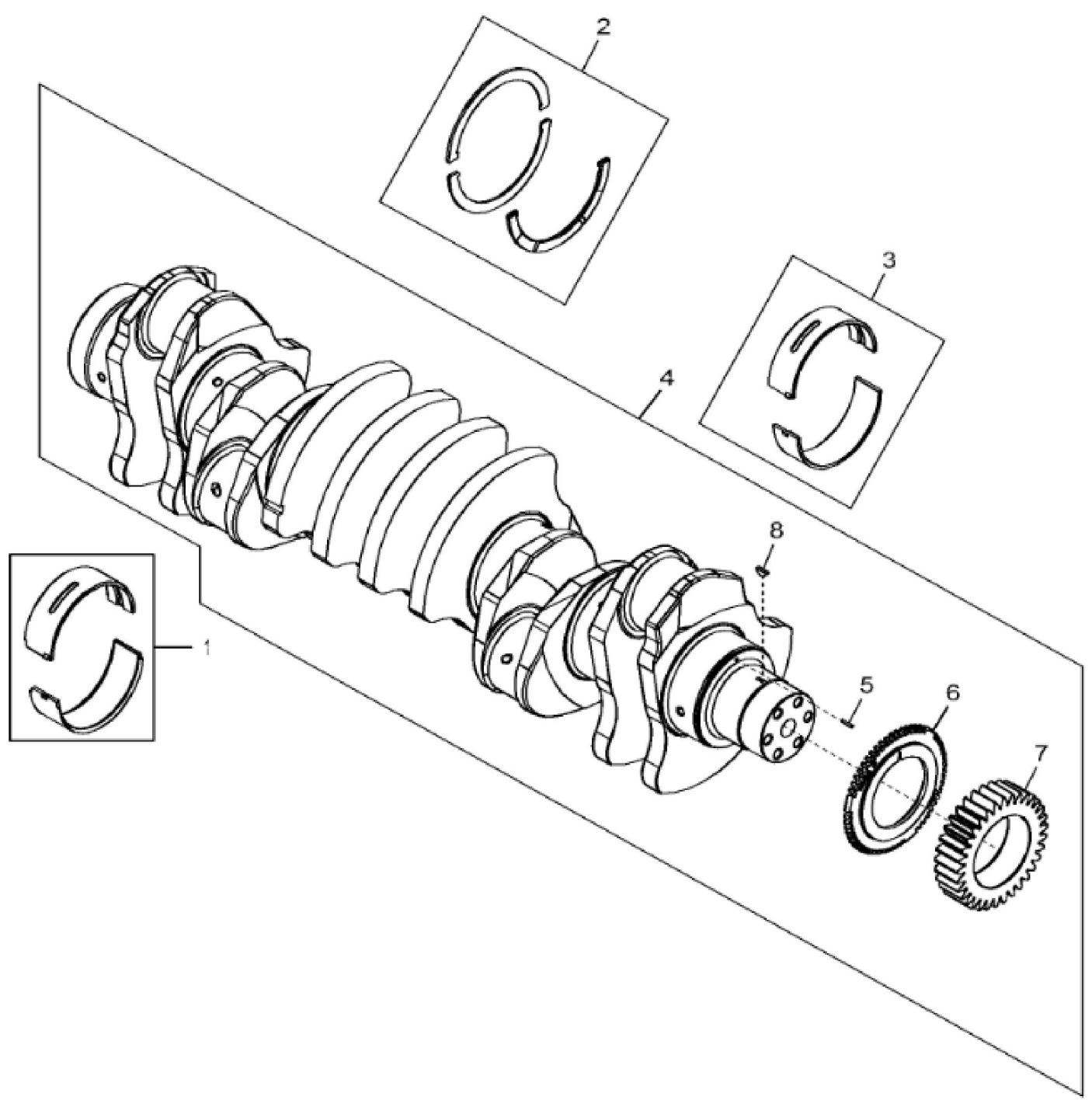
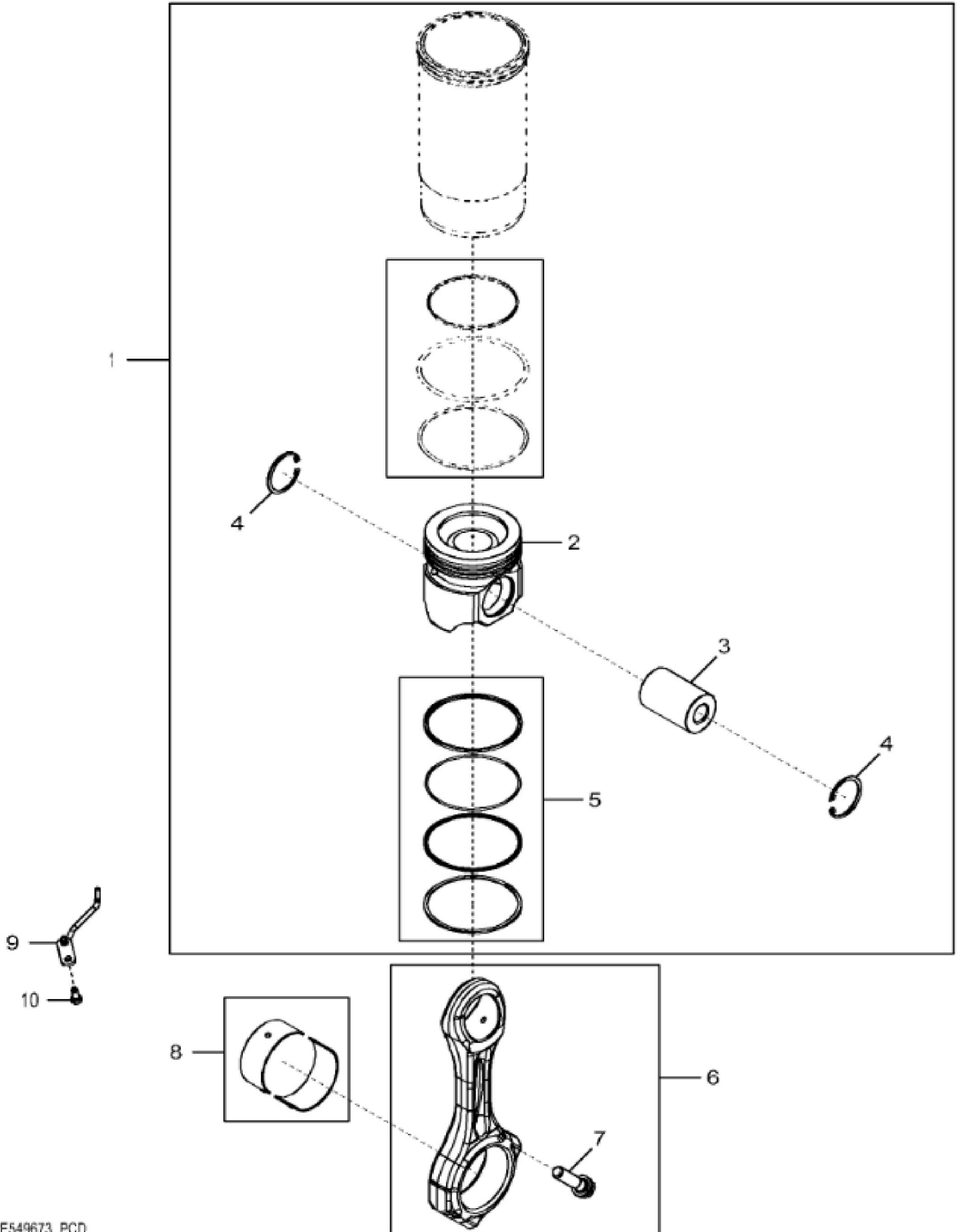


| KEY | PART NO. | PART NAME | QTY | REMARKS |
|-----|----------|----------------------|-----|--|
| 1 | RE570135 | PISTON-LINER KIT | 6 | (FT4) PISTON MARKED RE561885 |
| 1 | RE559263 | PISTON-LINER KIT | 6 | (IT4) PISTON MARKED RE544914 |
| 1 | RE559262 | PISTON-LINER KIT | 6 | (Tier 3) PISTON MARKED R517128; SUB FOR RE530808 |
| 2 | RE547712 | O-RING KIT | 1 | |
| 3 | R535114 | SHIM | 1 | |
| 4 | R116466 | PLUG | 1 | |
| 5 | RE46684 | FITTING PLUG | 2 | |
| 6 | 51M7041 | O-RING | 1 | 11.300 X 2.200 mm |
| 7 | R524857 | PLUG | 2 | ID = 9.0 mm, SUB FOR R504174 |
| 8 | T21937 | PLUG | 2 | |
| 9 | R539554 | PLUG | 1 | SUB FOR R529706 |
| 10 | ... | CYLINDER BLOCK | 1 | MARKED R528160; ORDER RE560634 |
| 10 | RE560634 | SHORT BLOCK ASSEMBLY | 1 | |
| 11 | R529786 | CAP SCREW | 14 | |
| 12 | R518501 | BEARING CAP | 6 | |
| 13 | R518573 | BEARING CAP | 1 | |
| 14 | AT107509 | PLUG | 1 | ID = 6.5 mm |
| 15 | R502753 | PLUG | 1 | |
| 16 | 64M5024 | DRAIN PLUG | 1 | |
| 17 | 51M7048 | O-RING | 1 | 29.600 X 2.900 mm |
| 18 | RE539116 | FITTING | 1 | |
| 19 | 51M7047 | O-RING | 1 | 23.600 X 2.900 mm |



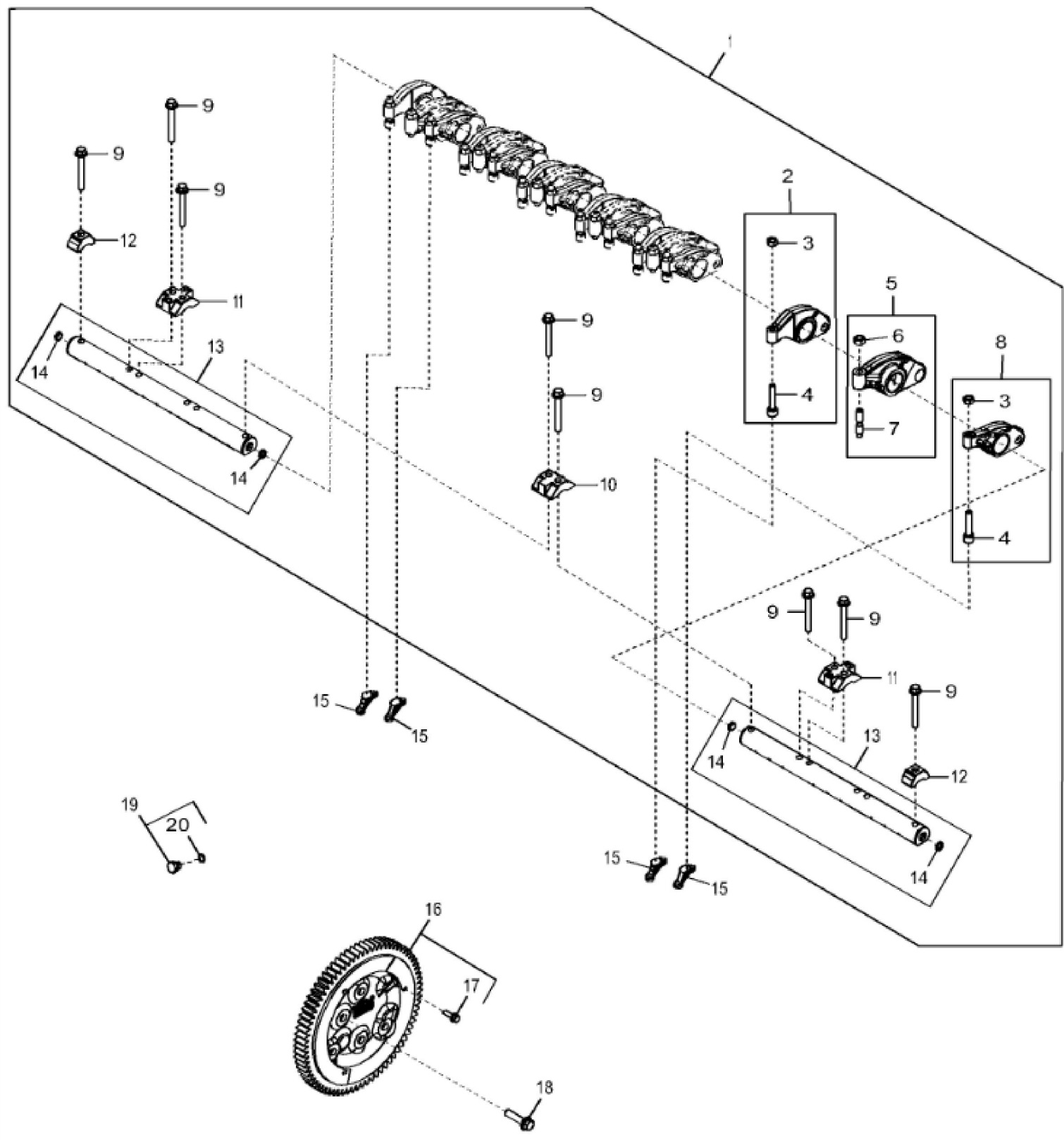
John Deere > Construction And Forestry > EXCAVATOR > 470GLC - EXCAVATOR > 470GLC Excavator (PIN: 1FF470GX_ F235001-) > 04A ENGINE 6135HT004-RE549573 > 0400A ENGINE 6135HT004-RE549573 6135HT004 > ST163443 - 4703 CRANKSHAFT AND BEARINGS

| KEY | PART NO. | PART NAME | QTY | REMARKS |
|-----|----------|------------------|-----|---|
| 1 | RE530786 | BEARING KIT | 1 | KIT; R517069 AND R517070; SUB FOR RE63905 |
| 2 | RE530885 | WASHER KIT | 1 | |
| 3 | RE530785 | BEARING KIT | 6 | KIT; R517065 AND R517068; SUB FOR RE63903 |
| 4 | RE539339 | CRANKSHAFT | 1 | MARKED R519559 |
| 4 | SE502681 | CRANKSHAFT REMAN | 1 | (With Bearings) REMAN FOR RE539339 |
| 5 | 34M7129 | SPRING PIN | 1 | 3 X 16 mm |
| 6 | R528501 | WHEEL | 1 | |
| 7 | R529684 | GEAR | 1 | Z = 33 |
| 8 | 26M4224 | SHAFT KEY | 1 | 4 X 16 mm, SUB FOR R73866 |



John Deere > Construction And Forestry > EXCAVATOR > 470GLC - EXCAVATOR > 470GLC Excavator (PIN: 1FF470GX_ F235001-) > 04A ENGINE 6135HT004-RE549573 > 0400A ENGINE 6135HT004-RE549573 6135HT004 > ST777847 - 4809 CONNECTING RODS AND PISTONS

| KEY | PART NO. | PART NAME | QTY | REMARKS |
|-----|----------|----------------------|-----|---|
| 1 | RE570135 | PISTON-LINER KIT | 1 | |
| 2 | | PISTON | 6 | MARKED RE561885; ORDER RE570135 |
| 3 | DZ101960 | PISTON PIN | 6 | SUB FOR R517149 |
| 4 | 40M7201 | SNAP RING | 12 | |
| 5 | RE548110 | PISTON RING KIT | 1 | |
| 6 | RE549596 | CONNECTING ROD | 6 | |
| 6 | RM100065 | CONNECTING ROD REMAN | 1 | REMAN FOR RE549596 |
| 7 | R501380 | CAP SCREW | 2 | |
| 8 | RE562584 | BEARING KIT | 6 | KIT; R517067 AND R534189 |
| 8 | RE531768 | BEARING KIT | 6 | 0.25 mm; US, INCLUDES R524610 AND R524613 |
| 8 | RE531769 | BEARING KIT | 6 | 0.50 mm; US, INCLUDES R524611 AND R524614 |
| 9 | RE529378 | NOZZLE | 6 | |
| 10 | RE530324 | SELF-LOCKING SCREW | 6 | |



Thank you so much for reading.
Please click the “Buy Now!”
button below to download the
complete manual.



After you pay.

You can download the most
perfect and complete manual in
the world immediately.

Our support email:

ebooklibonline@outlook.com