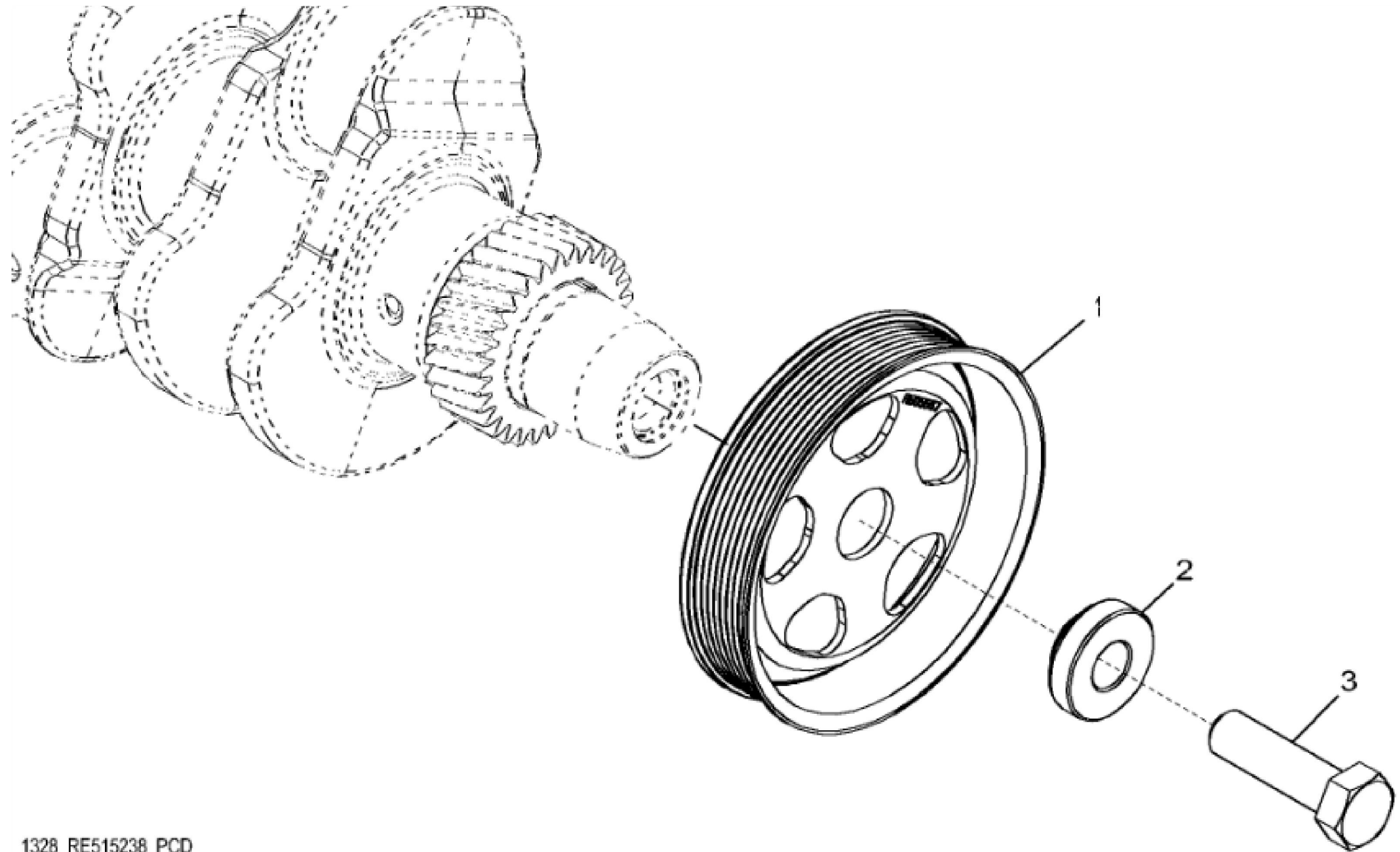


1299\_RE57761\_PCD

John Deere > Construction And Forestry > EXCAVATOR > E140LC - EXCAVATOR > E140LC Excavator (PIN: 1YNE14AL\_ \_D300009- ) > 04 ENGINE 4045HXU01-RE545833 > 0400 ENGINE 4045HXU01-RE545833  
4045HXU01 > ST73498 - 1299 OIL FILLER NECK COVER

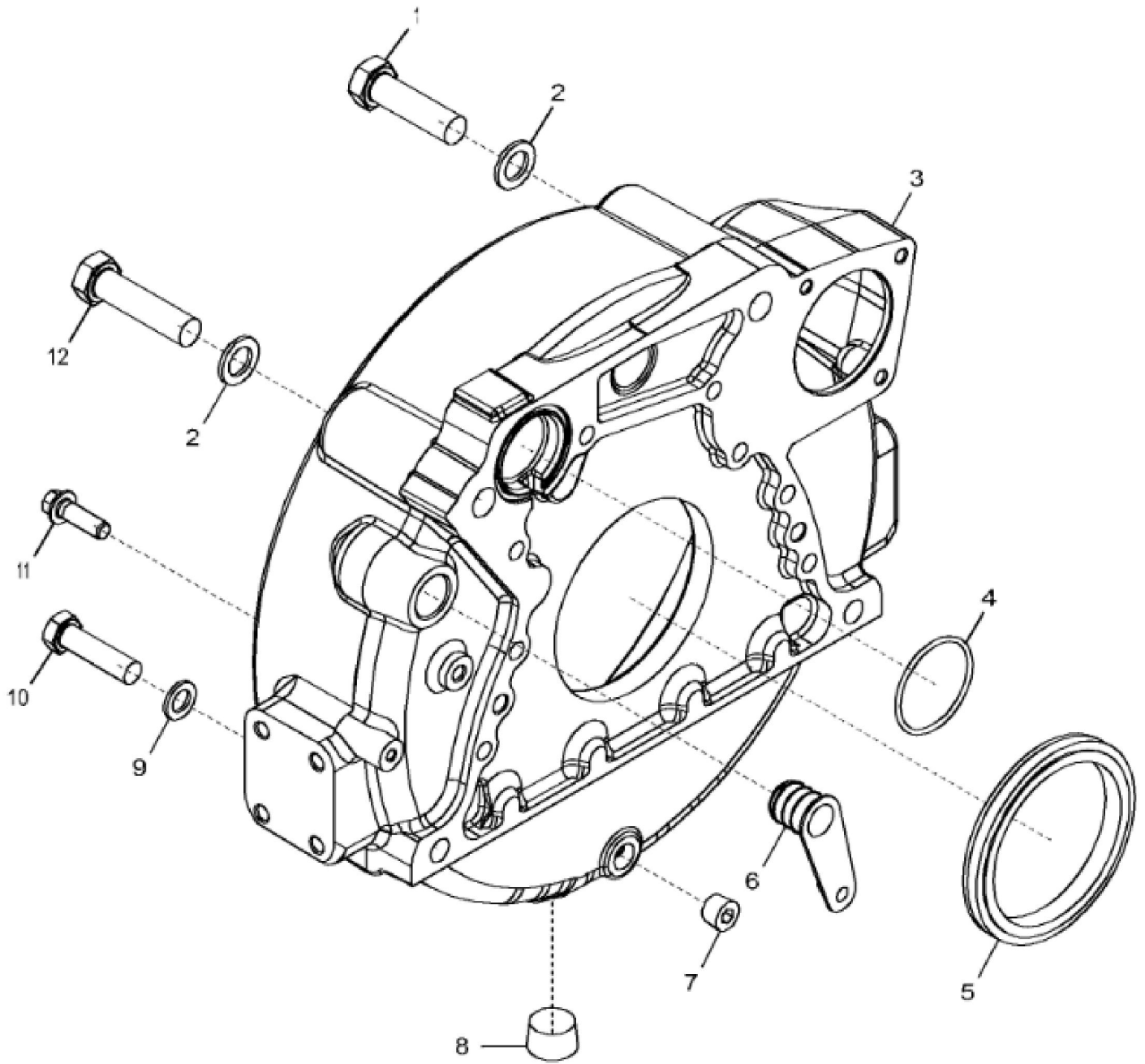
| KEY | PART NO. | PART NAME | QTY | REMARKS                                    |  |
|-----|----------|-----------|-----|--|--|
| 1   | R116296  | COVER     | 2   |  |  |
| 2   | RE67238  | SCREW     | 4   | (Threads With Pre-Applied Sealant) M8 X 20 |  |
| 3   | R136495  | GASKET    | 2   |  |  |



1328\_RE515238\_PCD

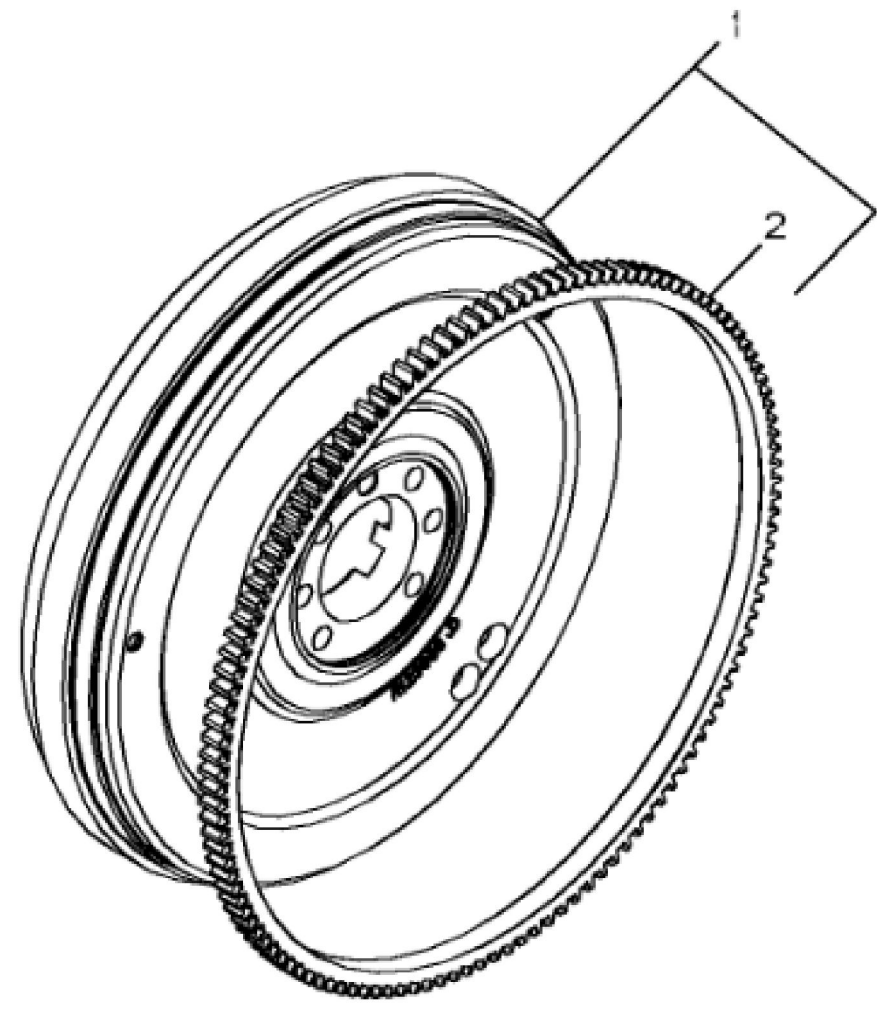
John Deere > Construction And Forestry > EXCAVATOR > E140LC - EXCAVATOR > E140LC Excavator (PIN: 1YNE14AL\_ \_D300009- ) > 04 ENGINE 4045HXU01-RE545833 > 0400 ENGINE 4045HXU01-RE545833  
4045HXU01 > ST628039 - 1328 CRANKSHAFT PULLEY

| KEY | PART NO. | PART NAME | QTY | REMARKS                   |  |
|-----|----------|-----------|-----|---------------------------|--|
| 1   | R505567  | PULLEY    | 1   | OD = 173 mm               |  |
| 2   | R515040  | BUSHING   | 1   | OD = 50 mm                |  |
| 3   | R516648  | CAP SCREW | 1   | (One Time Usage) M20 X 70 |  |



John Deere > Construction And Forestry > EXCAVATOR > E140LC - EXCAVATOR > E140LC Excavator (PIN: 1YNE14AL\_ \_D300009- ) > 04 ENGINE 4045HXU01-RE545833 > 0400 ENGINE 4045HXU01-RE545833  
4045HXU01 > ST881200 - 14BE FLYWHEEL HOUSING

| KEY | PART NO. | PART NAME | QTY | REMARKS               |  |
|-----|----------|-----------|-----|-----------------------|--|
| 1   | 19M8639  | CAP SCREW | 1   | M20 X 70              |  |
| 2   | 24M7396  | WASHER    | 2   | 21 X 34 X 3 mm        |  |
| 3   | R536574  | HOUSING   | 1   | MARKED R536575        |  |
| 4   | U12198   | O-RING    | 1   |                       |  |
| 5   | RE537070 | SEAL      | 1   | SUB FOR APPL RE524227 |  |
| 6   | R131769  | PLUG      | 1   | SUB FOR APPL R131767  |  |
| 7   | 15H584   | PIPE PLUG | 1   | 1/2"                  |  |
| 8   | 15H653   | PIPE PLUG | 1   | 1"                    |  |
| 9   | R73290   | WASHER    | 2   |                       |  |
| 10  | 19M7759  | CAP SCREW | 2   | M16 X 60              |  |
| 11  | R135918  | BOLT      | 8   |                       |  |
| 12  | 19M7892  | CAP SCREW | 1   | M20 X 80              |  |



1509\_RE59289\_PCD

Thank you so much for reading.  
Please click the “Buy Now!”  
button below to download the  
complete manual.



After you pay.

You can download the most  
perfect and complete manual in  
the world immediately.

Our support email:

[ebooklibonline@outlook.com](mailto:ebooklibonline@outlook.com)