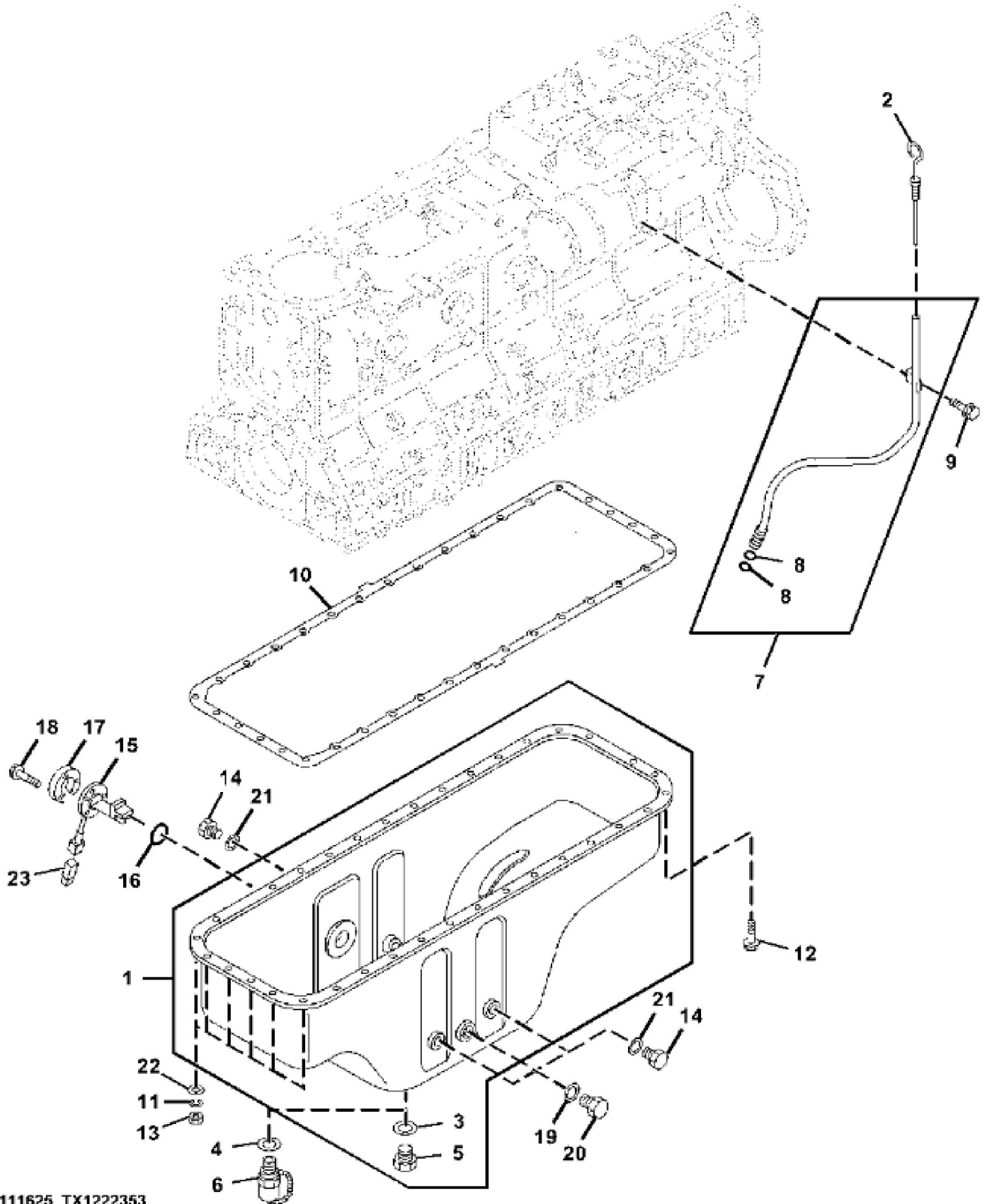


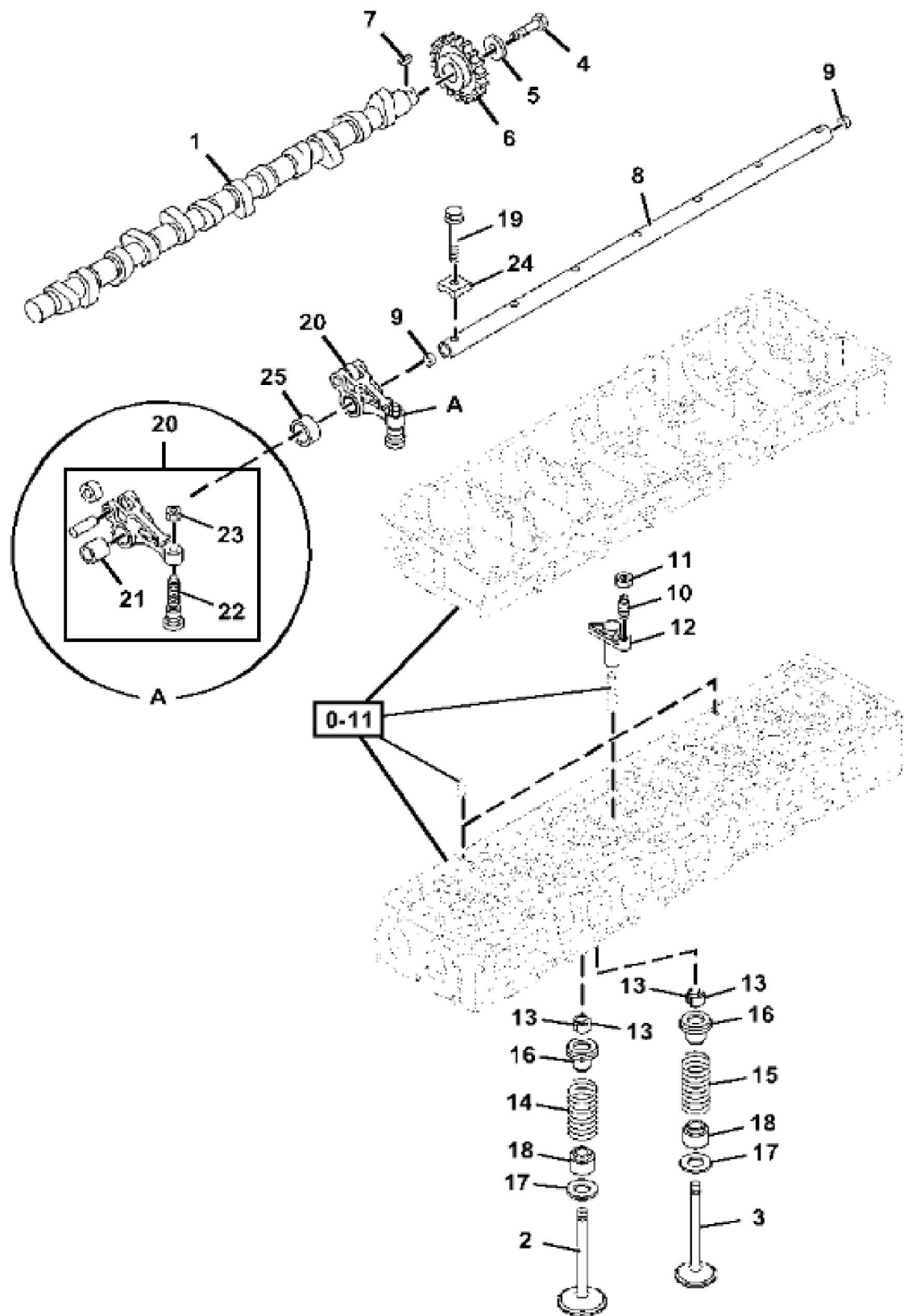
John Deere > Construction And Forestry > EXCAVATOR > 470GLC - EXCAVATOR > 470GLC Excavator (PIN: 1FF470GX_ _D004701-) > 04 ENGINE - MISCELLANEOUS ENGINE / COMPLETE ENGINE > 0400 ENGINE > ST869601 - 0-12 ENGINE CYLINDER BLOCK

KEY	PART NO.	PART NAME	QTY	REMARKS
1	8983194060	CYLINDER BLOCK	1	SUB FOR 8981259485
2	1878136381	CYLINDER KIT	6	GRADE=1X
2	1878136391	CYLINDER KIT	6	GRADE=3X
4	8981122300	CYLINDER LINER	6	Also Included In Liner Set, OD=1X
4	8981122310	CYLINDER LINER	6	Also Included In Liner Set, OD=1X
4	8981122320	CYLINDER LINER	6	Also Included In Liner Set, OD=3X
4	8981122330	CYLINDER LINER	6	Also Included In Liner Set, OD=3X
5	9081508160	PIN FASTENER	2	OD=8, L=16
6	9081508160	PIN FASTENER	2	OD=8, L=16
7	1096000581	PLUG	7	OD=45
8	1096000591	SEAL	2	OD=32
9	8973722380	BOLT	6	M10X21
10	8982752460	ORIFICE	6	
11	9081510220	PIN FASTENER	2	OD10, L=22
12	5111290060	SEAL	1	OD=16
13	9111291280	SEAL	2	OD=20
14	8980274560	SENSOR	1	Pressure
15	1096000122	PLUG	1	OD=32
16	1096301410	GASKET	1	Also Included In Gasket Set (Engine), ID=14.2, OD=25
17	1131190040	DOWEL PIN	2	
18	8982298640	BOLT	14	
19	8981415380	BOLT	28	
20	1097400310	PIN	2	
21	1097490251	DOWEL PIN	2	L=25
22	9081605100	PIN FASTENER	2	OD=5, L=10
23	1096050500	PIPE PLUG	1	
24	1096050560	PIPE PLUG	1	
25	8973296170	PLUG	5	M14X16.5
26	9944112400	STUD	2	M12X40
27	9197590191	DOWEL PIN	2	OD=14, L=9



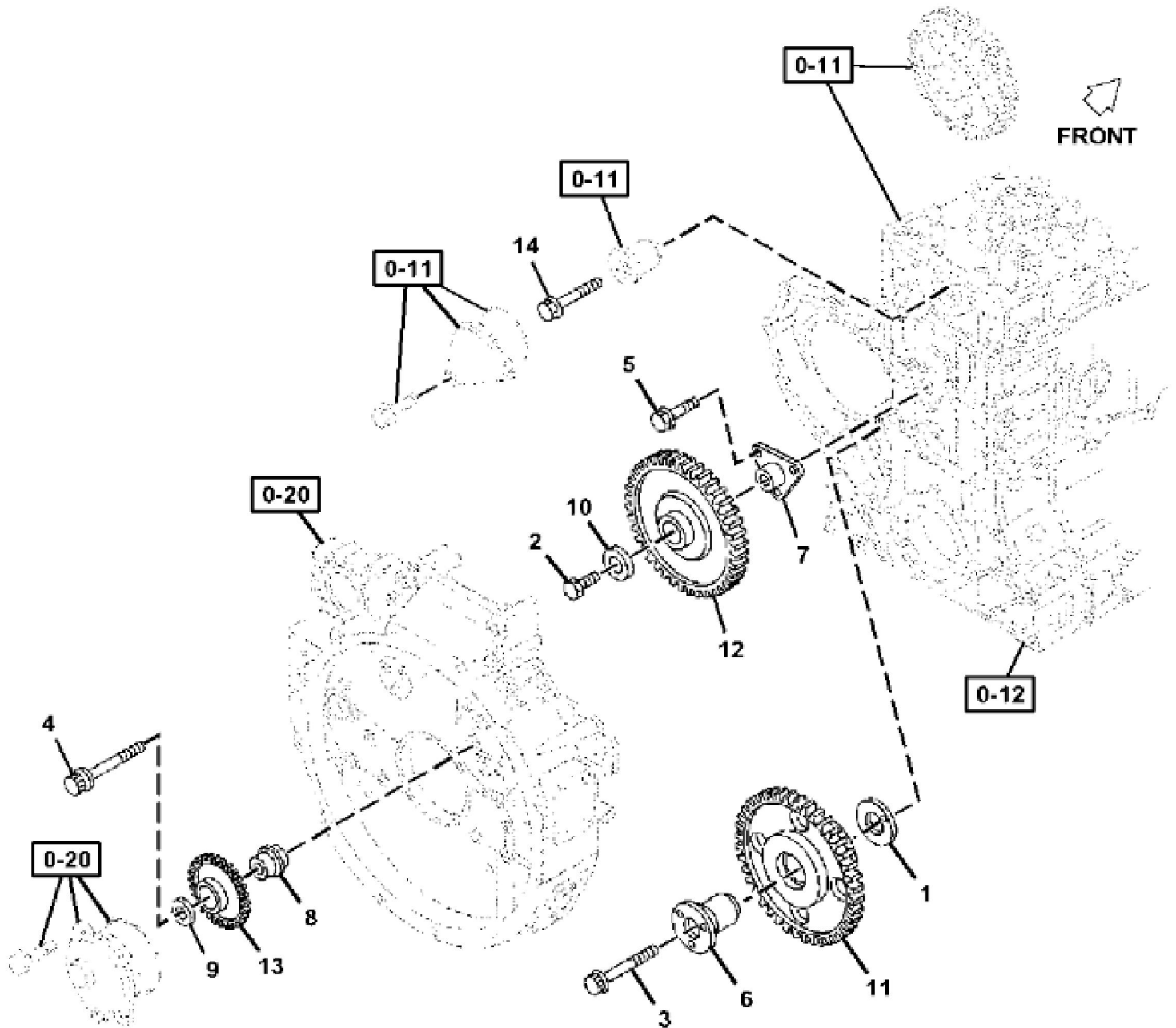
013A0111625_TX1222353

KEY	PART NO.	PART NAME	QTY	REMARKS
1	8980653580	OIL PAN	1	
2	8981426370	GAUGE	1	Oil Level
3	1096231790	O-RING	1	Also Included In Gasket Set (Engine), ID=26.8, SUB FOR 1096230580
4	1096300900	GASKET	1	Also Included In Gasket Set (Engine), ID=24.2
5	1096040220	PIPE PLUG	1	M24X17
6	8981442470	PLUG	1	M24X12
7	8982994460	CONDUIT	1	
8	5096230023	GASKET	2	Also Included In Gasket Set (Engine), SUB FOR 5096230020
9	0281510160	BOLT	1	M10X16
10	8981872580	GASKET	1	Also Included In Gasket Set (Engine)
11	0915105080	WASHER	6	ID=8.2
12	0506408220	BOLT	30	M8X22
13	14M7273	NUT	6	M8, SUB FOR 0911105080
14	0920024160	PLUG	3	M16X12
15	8971312230	SENSOR	1	Oil Level
16	8976049160	GASKET	1	Also Included In Gasket Set (Engine), ID=27, SUB FOR 1096233550
17	5113690720	SPACER	1	
18	0506406280	BOLT	3	M6X28
19	9095714240	GASKET	1	Also Included In Gasket Set (Engine), ID=24.5, OD=32
20	1096040210	PIPE PLUG	1	SUB FOR 9992023240
21	9095714160	GASKET	3	Also Included In Gasket Set (Engine), ID=16.2, OD=24
22	0916105080	WASHER	6	ID=8.4, OD=16
23	1812297530	CAP	1	



John Deere > Construction And Forestry > EXCAVATOR > 470GLC - EXCAVATOR > 470GLC Excavator (PIN: 1FF470GX_ _D004701-) > 04 ENGINE - MISCELLANEOUS ENGINE / COMPLETE ENGINE > 0400 ENGINE > ST869859 - 0-14 CAMSHAFT AND VALVE ACTUATING COMPONENTS

KEY	PART NO.	PART NAME	QTY	Serial No.	REMARKS
1	8976030500	CAMSHAFT	1		
2	8973886433	VALVE	12		Inlet
3	8973886440	EXHAUST VALVE	12		
4	9920614280	BOLT	1		M14X28
5	9098518503	WASHER	1		
6	8980042591	GEAR	1		
7	9080555160	KEY	1		
8	8976031891	ROCKER ARM SHAFT	1	____-XXXXXX	
8	8982987640	ROCKER ARM SHAFT	1	XXXXXX-____	
9	5112190080	PLUG	2		SUB FOR 9111290820
10	8943948030	SCREW	12		M8X21
11	14M7599	NUT	12		M8, SUB FOR 9098445740
12	8980023250	VALVE BRIDGE	12		
13	5125650040	LOCKING COLLAR	48		
14	8976032600	SPRING	12		Inlet
15	8976032610	SPRING	12		Exhaust
16	8943907832	VALVE SEAT	24		OD=32.8
17	8943914680	VALVE SEAT	24		ID=14.3
18	8973767200	SEAL	24		Also Included in Gasket Set (Engine and Head)
19	0281612700	BOLT	7		M12X70
20	8976031841	ROCKER ARM	6	____-XXXXXX	Inlet
20	8981852800	ROCKER ARM SHAFT	6	XXXXXX-____	Inlet
20	8976031851	ROCKER ARM	6	____-XXXXXX	Exhaust
20	8981852860	ROCKER ARM SHAFT	6	XXXXXX-____	Exhaust
21	8976031471	BUSHING	12	____-XXXXXX	
21	8981852850	BUSHING	12	XXXXXX-____	
22	8982490150	SCREW	12		SUB FOR 8973767180
23	0911105100	NUT	12		M10
24	1126280940	BRACKET	7		
25	8976032670	TUBE	6	____-XXXXXX	
25	8982987670	TUBE	6	XXXXXX-____	



Thank you so much for reading.
Please click the “Buy Now!”
button below to download the
complete manual.



After you pay.

You can download the most
perfect and complete manual in
the world immediately.

Our support email:

ebooklibonline@outlook.com