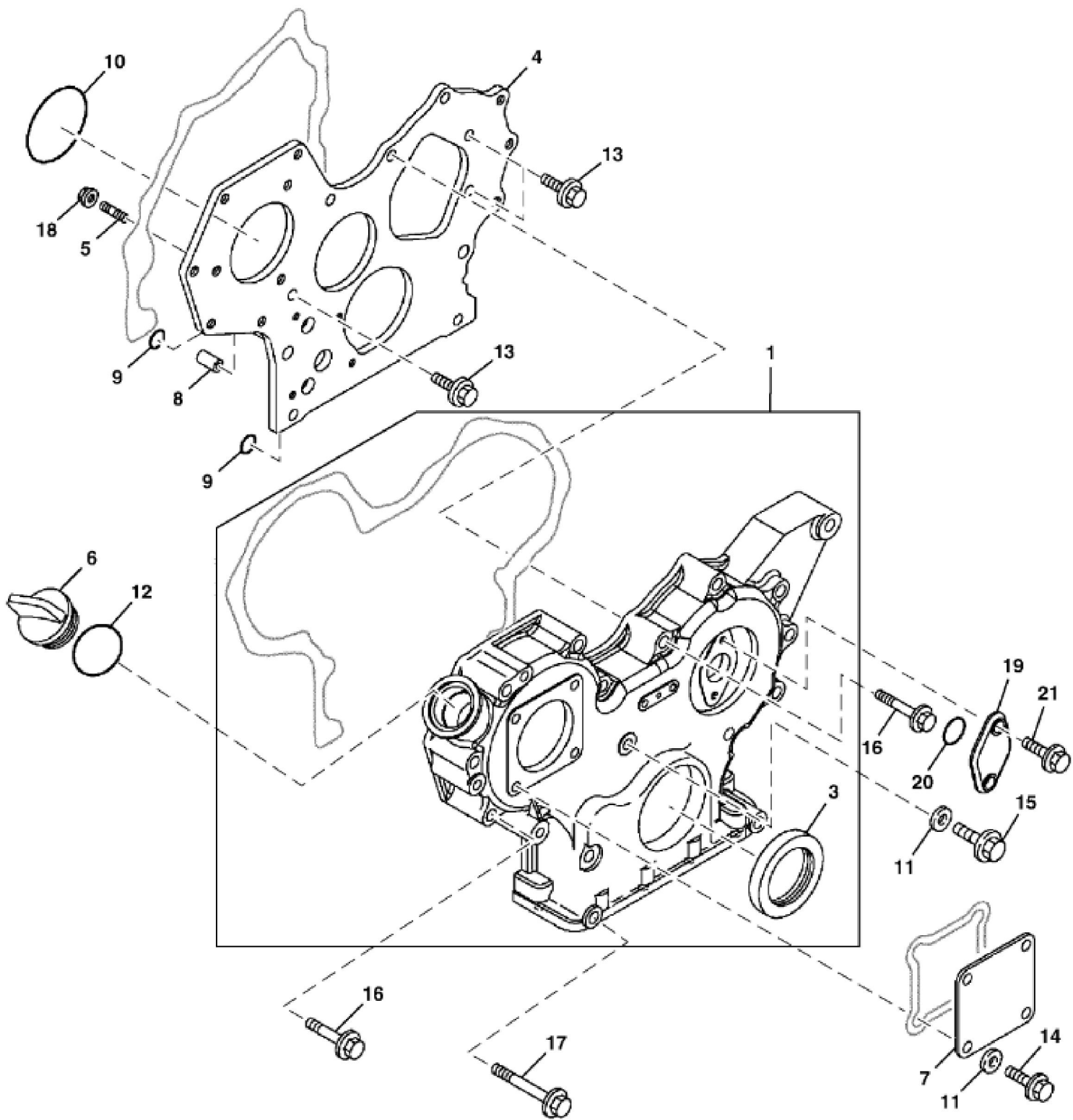
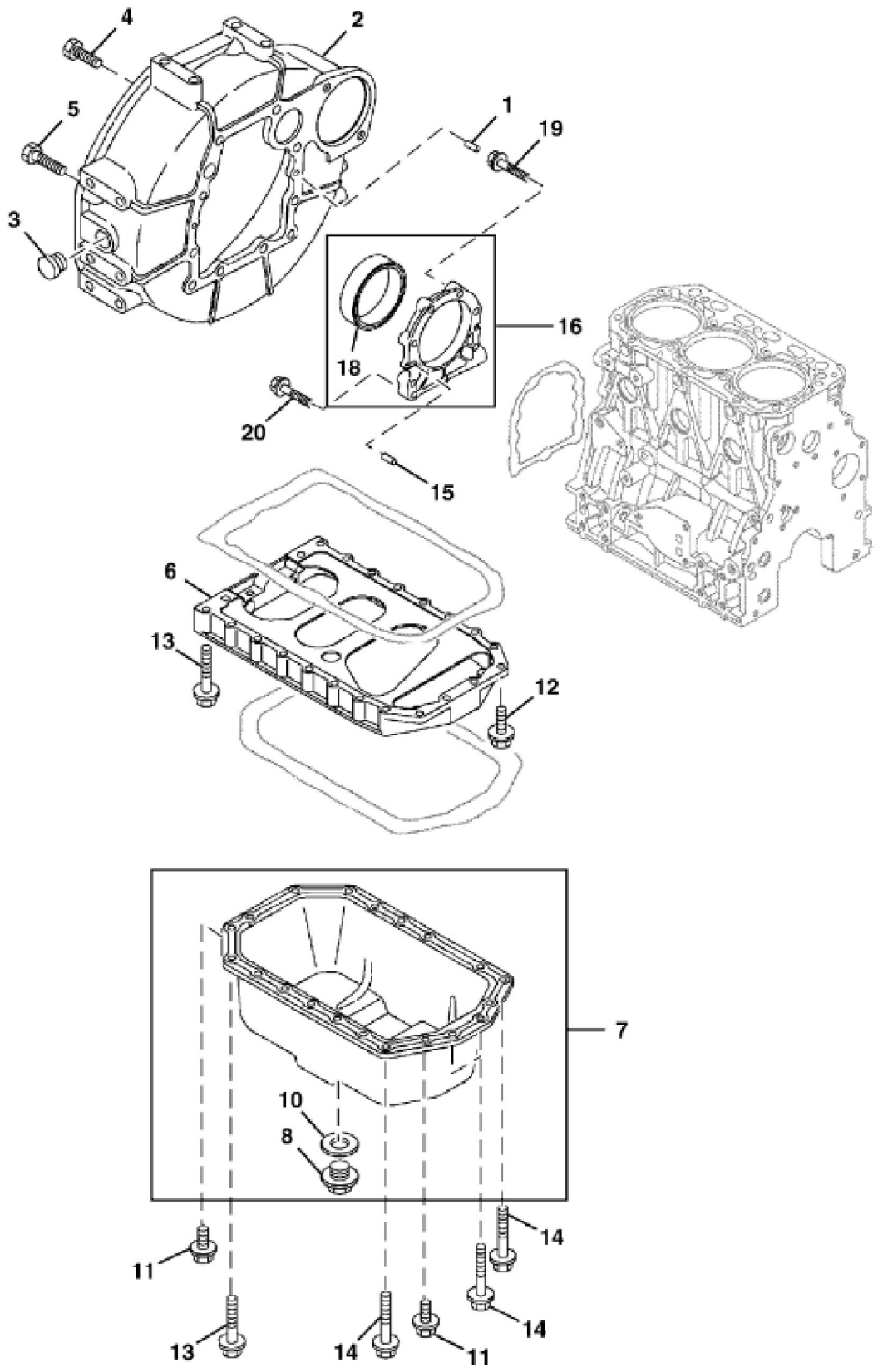


KEY	PART NO.	PART NAME	QTY	REMARKS
1	.....	CYLINDER BLOCK	1	NLA
4	CH10314	PLUG	1	
5	M809565	DRAIN PLUG	1	
6	CH10335	PLUG	2	
7	CH10335	PLUG	1	
8	15H562	PIPE PLUG	1	1", SUB FOR CH18379
9	M801189	BOLT	8	
12	MIU800573	CAMSHAFT	1	
13	M87801	PLUG	2	
14	30M7023	PLUG	6	SUB FOR CH10642
24	MIA880555	BEARING	2	
27	M801186	BOLT	14	
28	M806811	ENGINE CYLINDER HEAD GASKET	1	
29	MIA880554	BEARING	4	Spare
32	MIA880550	BEARING	4	Undersized, 0.25
35	MIA882809	BEARING KIT	1	Oversized, 0.25



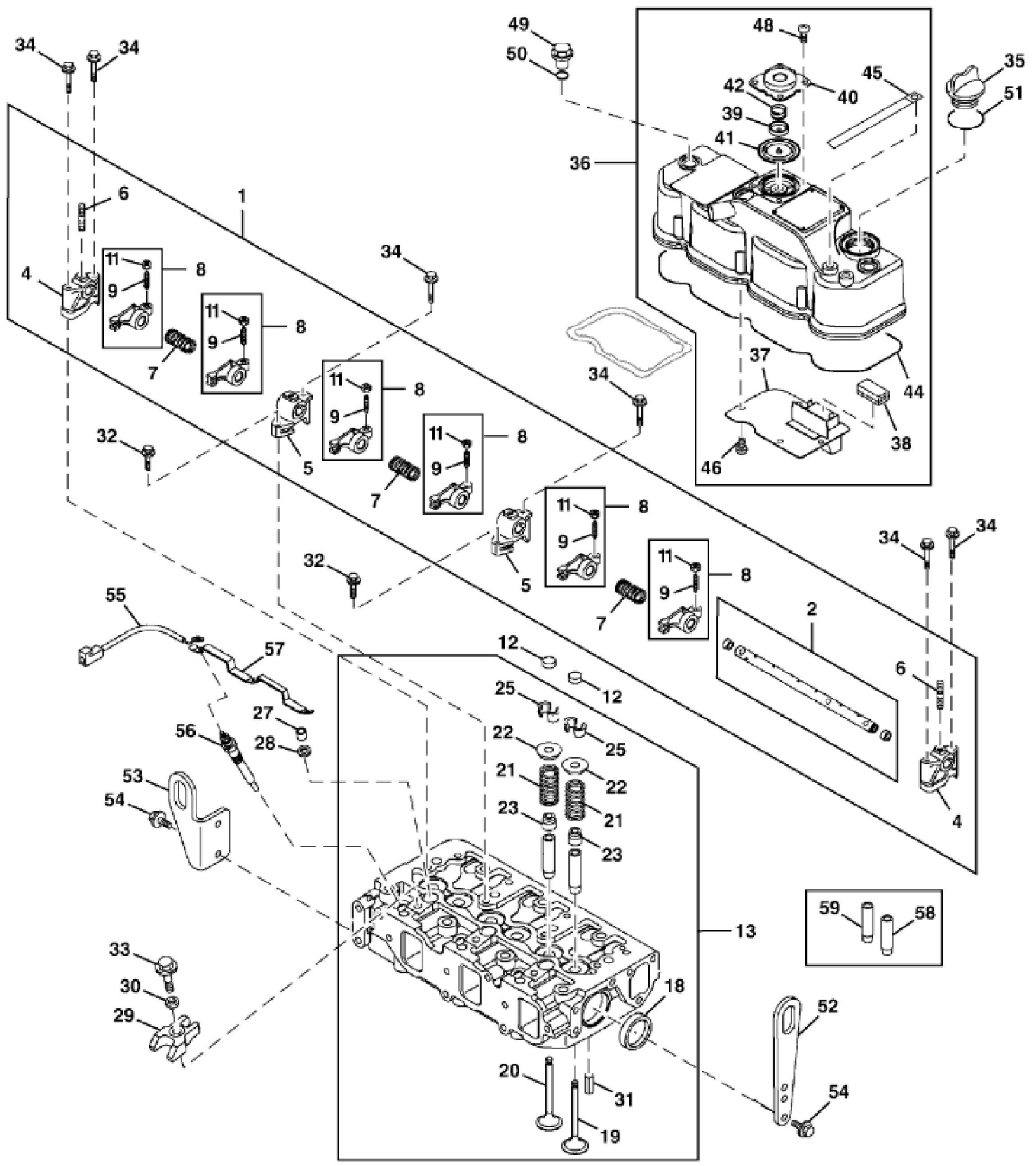
TX1127953

KEY	PART NO.	PART NAME	QTY	REMARKS
1	MIA881011	GEAR CASE	1	
3	M811078	SEAL	1	
4	MIU800874	FLANGE	1	
5	MIU800440	STUD	3	
6	M805710	CAP	1	
7	CH18096	COVER	1	
8	M800974	PIPE	2	
9	M810185	O-RING	2	
10	CH16940	O-RING	1	
11	M803523	WASHER	5	SUB FOR M806424
12	M805711	PACKING	1	
13	19M7865	SCREW	3	M8 X 16, SUB FOR CH18390
14	19M7865	SCREW	4	M8 X 16, SUB FOR CH18390
15	19M7868	SCREW	1	M8 X 30, SUB FOR CH18386
16	19M7979	SCREW	12	M8 X 55
17	CH19136	BOLT	3	
18	14M7298	FLANGE NUT	3	M8, SUB FOR M810186
19	MIU800476	COVER	1	
20	CH13526	PACKING	1	
21	19M7775	SCREW	2	M6 X 16, SUB FOR M87868



TX1127955

KEY	PART NO.	PART NAME	QTY	REMARKS
1	M802255	PIN	2	
2	M808276	HOUSING	1	
3	M88659	PLUG	1	
4	19M7402	CAP SCREW	6	M10 X 25, SUB FOR M800077
5	19M7662	CAP SCREW	4	M10 X 30, SUB FOR M801201
6	M801735	RESERVOIR	1	
7	AT318114	RESERVOIR	1	
8	M806544	DRAIN PLUG	1	
10	M806545	WASHER	1	
11	19M7865	SCREW	4	M8 X 16, SUB FOR CH18390
12	CH19085	BOLT	2	
13	CH19101	BOLT	16	
14	CH19086	BOLT	4	
15	M802255	PIN	2	
16	MIA881006	CASE	1	
18	MIU800955	SEAL	1	
19	M808308	BOLT	6	
20	CH19090	BOLT	3	SUB FOR M87884



Thank you so much for reading.  
Please click the “Buy Now!”  
button below to download the  
complete manual.



After you pay.

You can download the most  
perfect and complete manual in  
the world immediately.

Our support email:

[ebooklibonline@outlook.com](mailto:ebooklibonline@outlook.com)