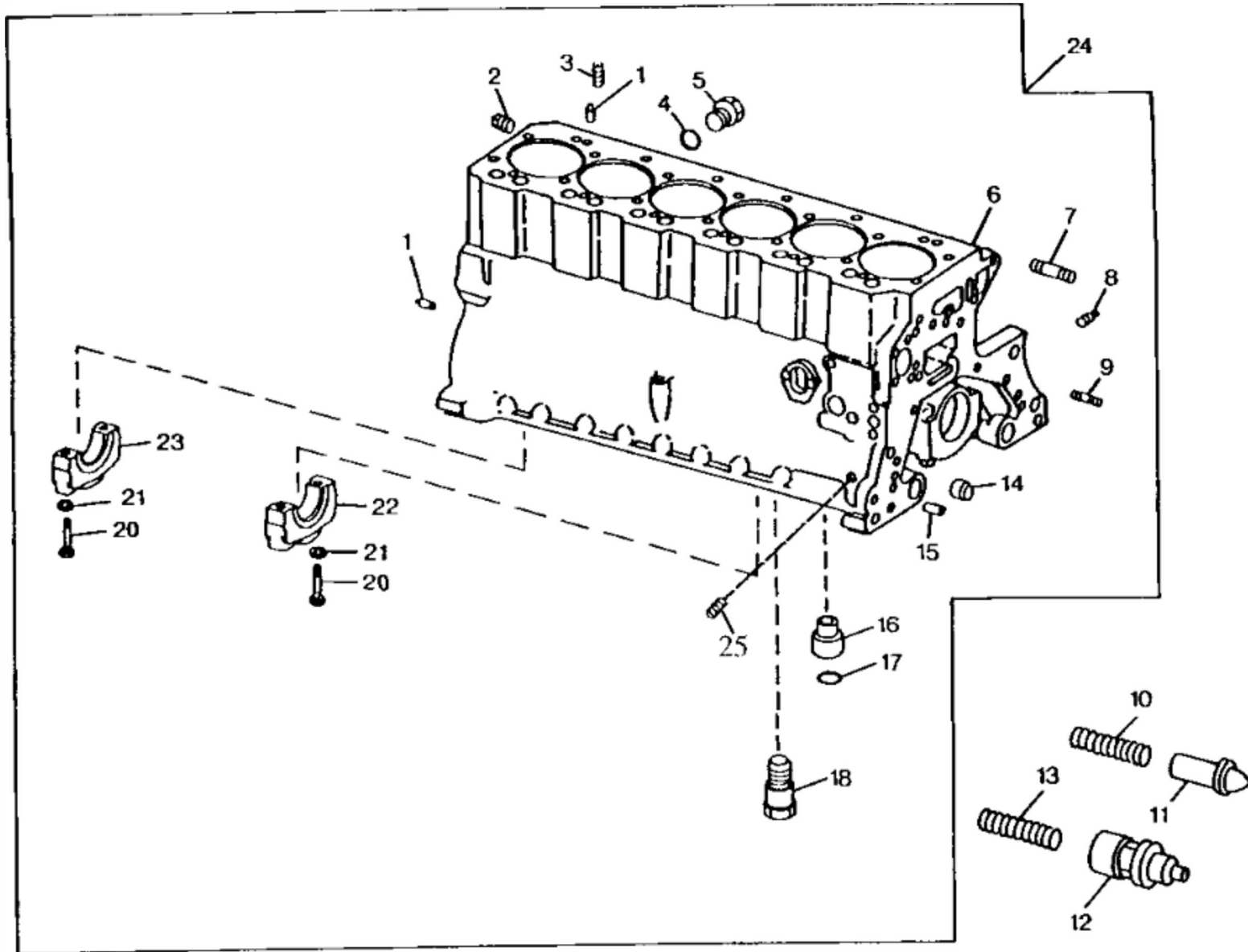


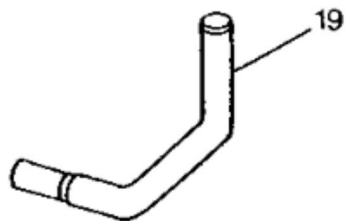
TP11027

John Deere > Construction And Forestry >CRAWLER LOADER >755 - CRAWLER LOADER >755 Crawler Loader >4 ENGINE 4 >CYLINDER BLOCK 0404 >0404-1 - CYLINDER BLOCK AND MAIN BEARING CAPS [01H05]

KEY	PART NO.	PART NAME	QTY	Serial No.	REMARKS
1	15H585	PIPE PLUG	AR		3/4", (WITHOUT ENGINE COOLANT HEATER)
1	15H562	PIPE PLUG	AR		1", (WITHOUT ENGINE COOLANT HEATERS)
2	R48685	DOWEL PIN	2		(SUB FOR R26241, THIS APPLICATION)
3	RE31656	CYLINDER BLOCK	1		(MARKED R90171, R112871 OR R124853) (SUB FOR RE25614) (MARKED R78577) (SUB RE50677) (ALSO ORDER R83169, T27658, R111135, R111137, (26) R85363 AND R112867) WITH MAIN BEARING CAPS, NIPPLE,SLEEVE,DOWEL PINS,PIPE PLUGS, STUDS,PISTON COOLING ORIFICES,CAP SCREWS AND WASHERS
4A	AT13740	DRAIN VALVE	1		
4B	R55233	PIPE PLUG	1		
5	T25701	STUD	1		
6	R39741	DRAIN PLUG	1		(WITHOUT ENGINE COOLANT HEATER)
7	U13639	O-RING	1		(WITHOUT ENGINE COOLANT HEATER)
8	T18891	PLUG	2		
9	R26650	DOWEL PIN	2		
10	AT21226	CAP	6	____-402787	MAIN BEARING FRONT AND CENTER, (SUB R65215) WITH SHIMS AND SET GAUGE
10	R65215	BEARING CAP	6		MAIN BEARING FRONT AND CENTER (SUB FOR AR82294)
11	T20168	WASHER	14		
12	T23474	CAP SCREW	14		
13	AT21227	CAP	1	____-402787	MAIN BEARING REAR, (SUB R79089) WITH SHIMS AND SET GAUGE
13	R79089	CAP	1		MAIN BEARING REAR (SUB FOR AR82295)
14	R54802	ORIFICE	6		PISTON COOLING
15	R48685	DOWEL PIN	2		(SUB FOR A120R)
16	R122226	STUD	1		(SUB FOR R122226)
17	15H558	PIPE PLUG	7		1/8", (SUB FOR RE12310)

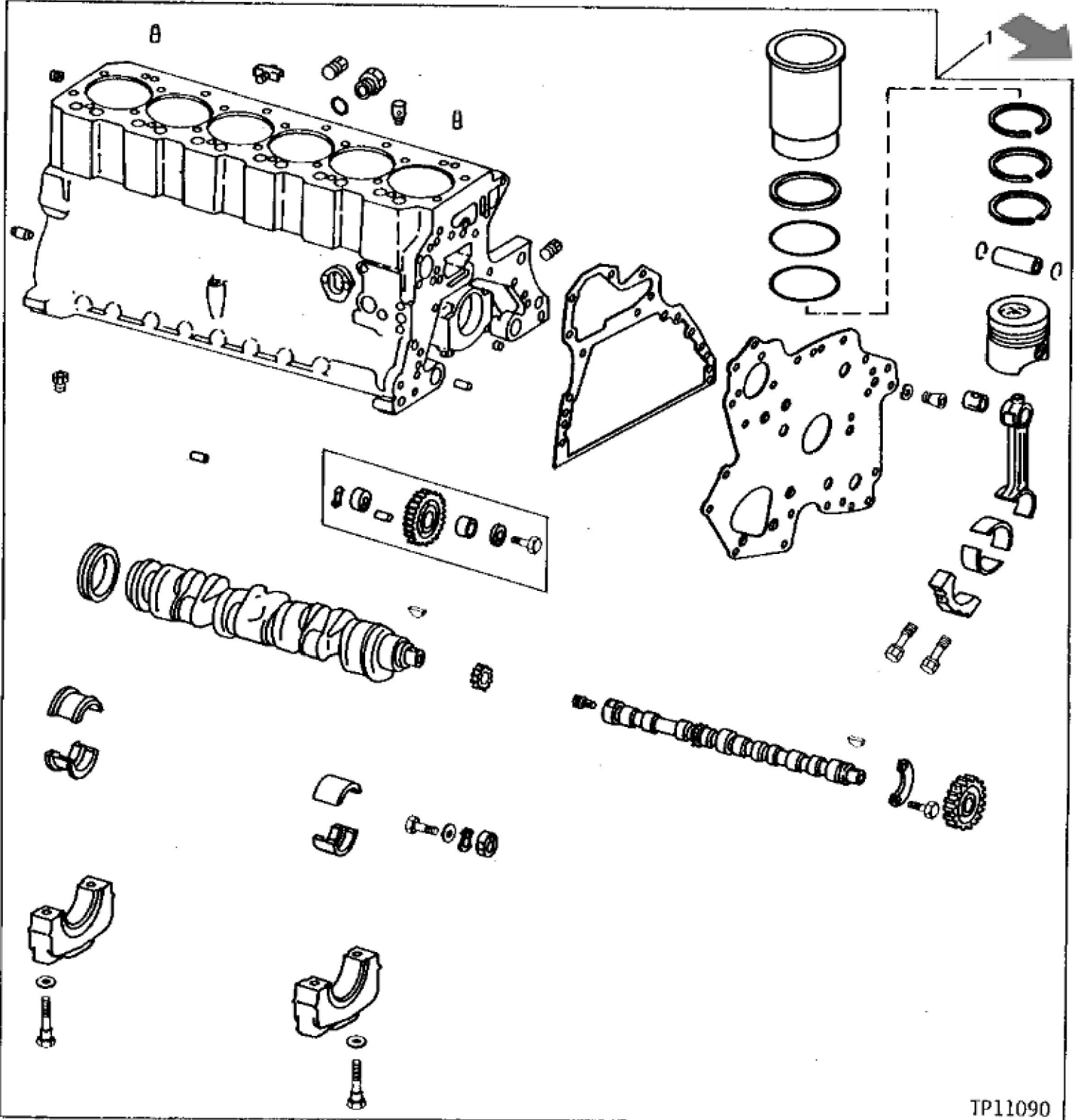


TP46341



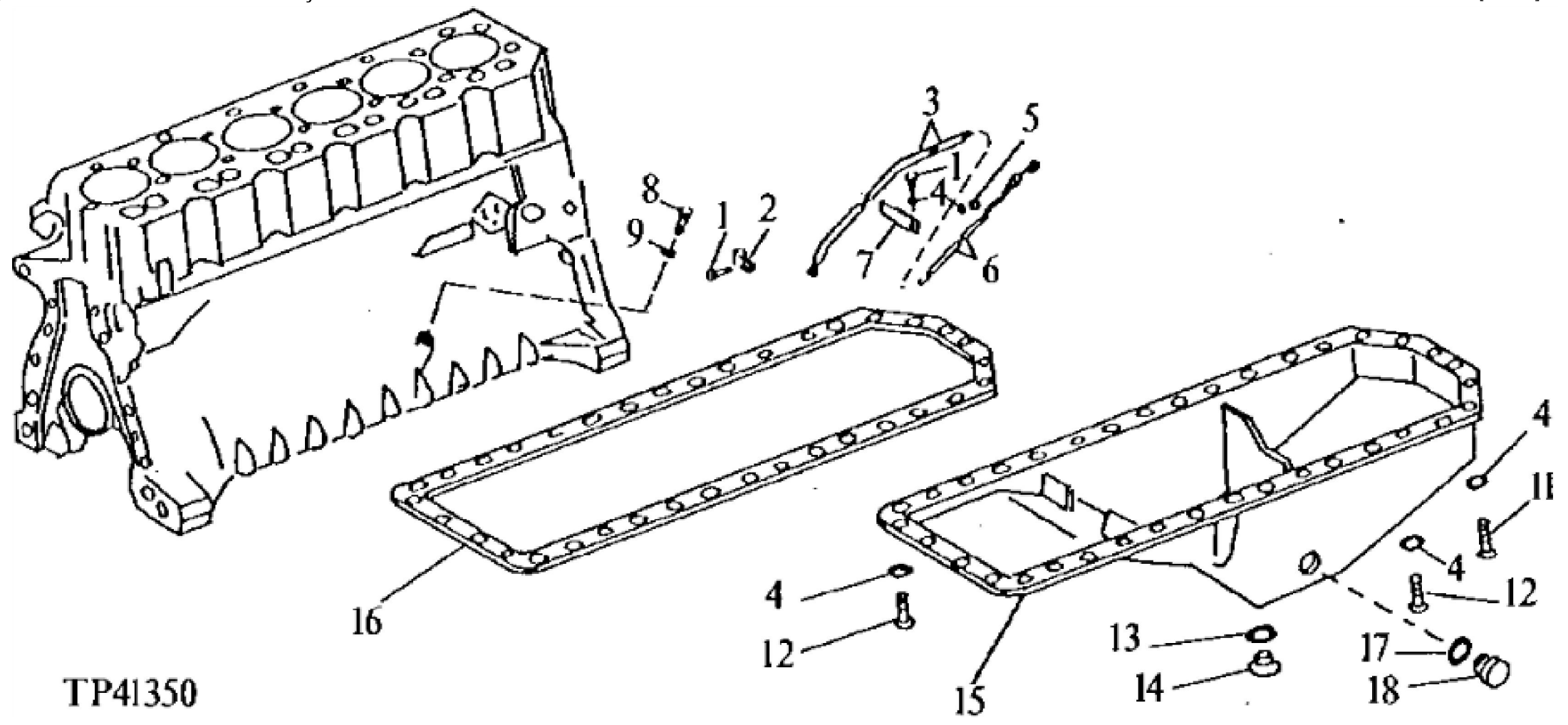
John Deere > Construction And Forestry >CRAWLER LOADER >755 - CRAWLER LOADER >755 Crawler Loader >4 ENGINE 4 >CYLINDER BLOCK 0404 >0404-2 - REPLACEMENT CYLINDER BLOCK AND MAIN BEARING CAP [01H06]

KEY	PART NO.	PART NAME	QTY	REMARKS
1	R48685	DOWEL PIN	4	
2	15H562	PIPE PLUG	1	1"
3	RE57836	PIPE PLUG	1	1/2", (SUB FOR 15H624) (WITHOUT TURBOCHARGER)
4	U13639	O-RING	1	
5	R39741	DRAIN PLUG	1	
6	.....	CYLINDER BLOCK	1	
7	R122226	STUD	2	(SUB FOR R122226)
8	R104592	PIPE PLUG	7	
9	T25701	STUD	1	
10	T27658	SPRING	1	
11	R83169	VALVE	1	
12	R111135	VALVE	1	
13	R111137	SPRING	1	
14	R26493	BUSHING	1	OIL PRESSURE RELIEF VALVE
15	R26650	DOWEL PIN	2	
16	R115390	BUSHING	1	
17	R97185	O-RING	1	(OIL PUMP TUBE)
18	R54802	ORIFICE	6	
19	R112867	OIL TUBE	1	
20	T23474	CAP SCREW	14	
21	T20168	WASHER	14	
22	R65215	BEARING CAP	6	MAIN BEARING
23	R79089	CAP	1	MAIN BEARING
24	RE50677	CYLINDER BLOCK	1	(MARKED R112871 OR R124853) (ALSO ORDER R83169, T27658, R111135, R111137 AND R112867)
25	15H623	PIPE PLUG	AR	3/8"



TP11090

KEY	PART NO.	PART NAME	QTY	REMARKS	
1	RE31657	SHORT BLOCK ASSEMBLY	1	(MARKED R78557 OR R90171) (SUB RE60843) (ALSO ORDER R83169, T27658, R112867 AND (26) R85363)	
1	SE501035	COMPLETE BLOCK ASSEMBLY	1	(REMANUFACTURED FOR TO6414TT004)	



TP41350

Thank you so much for reading.  
Please click the “Buy Now!”  
button below to download the  
complete manual.



After you pay.

You can download the most  
perfect and complete manual in  
the world immediately.

Our support email:

[ebooklibonline@outlook.com](mailto:ebooklibonline@outlook.com)