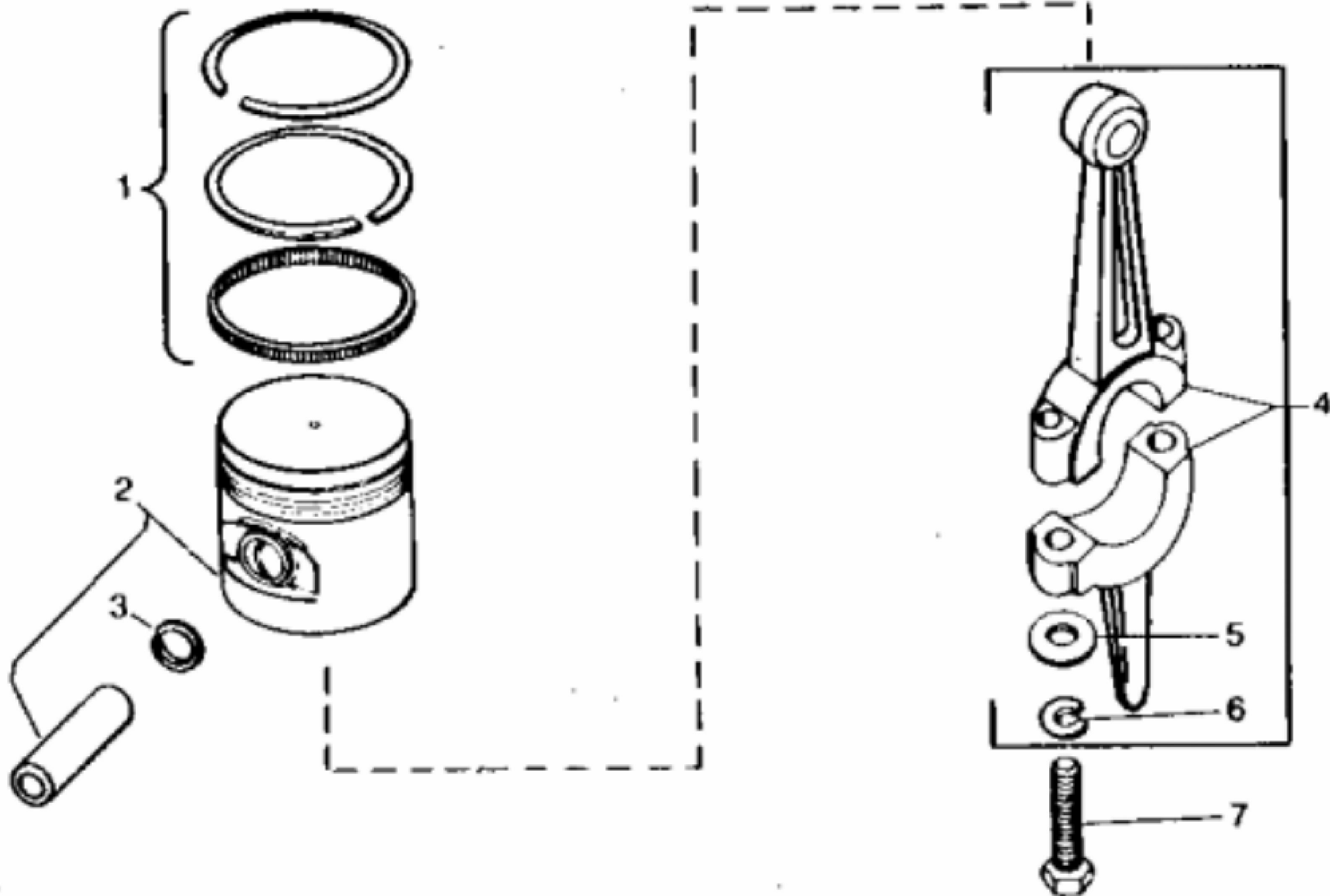


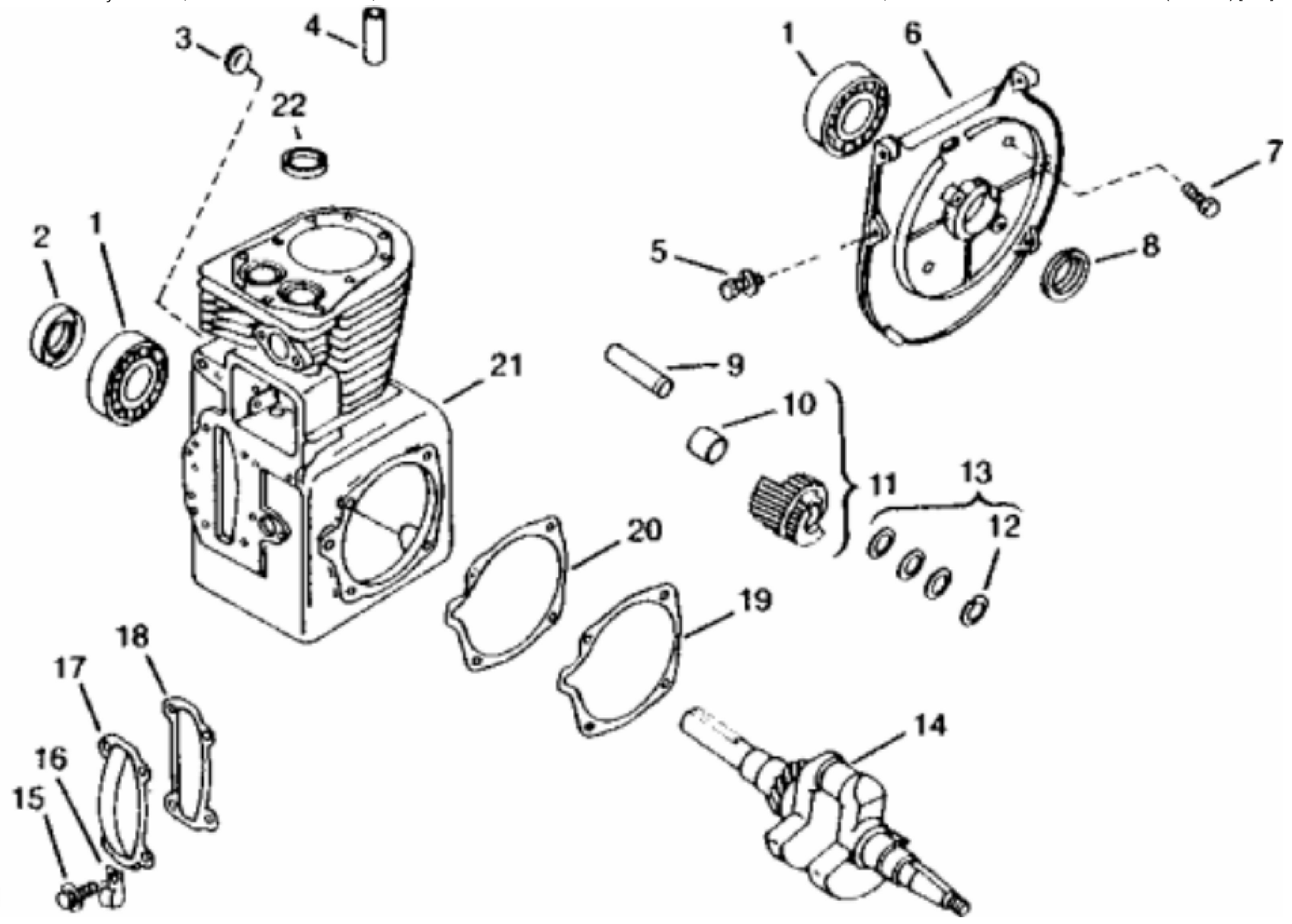
G10724F

[A11]

KEY	PART NO.	PART NAME	QTY	REMARKS
1	M47427	WASHER	10	
2	19H2633	CAP SCREW	8	3/8" X 1-1/2"
3	19H3217	CAP SCREW	1	3/8" X 1-3/4"
4	M44146	ANGLE	1	(*)
5	AM37194	DIPSTICK	1	(*)
6	M81613	GASKET	1	
7	M81614	BASE	1	(*)
8	19H1732	CAP SCREW	4	3/8" X 1-1/4"
8	12H304	LOCK WASHER	4	3/8"
9	21H1300	SCREW	3	0.190" X 3/8"
9	12H295	LOCK WASHER	3	0.190"
10	AM35803	ADAPTER	1	
11	M44147	GASKET	1	
12	M43115	GASKET	1	(A)
13	.....	PLATE	1	(A) BREATHER, ASSY
14	M43114	VALVE	1	(A)
15	.....	DEFLECTOR	1	(A)
16	M43117	FILTER	1	(A)
17	M43113	SEAL	1	(A)
18	M43120	GASKET	1	(A)
19	.....	VALVE COVER	1	(A)
20	14H786	NUT	1	(A) 1/4"
21	12H302	LOCK WASHER	1	(A) 1/4"
22	.....	STUD	1	(A)
23	M70496	ENGINE CYLINDER HEAD GASKET	1	(SUB FOR M46787)
24	M46788	CYLINDER HEAD	1	
..	AM116771	KIT	1	BREATHER (INCL. PARTS MARKED "A")



KEY	PART NO.	PART NAME	QTY	REMARKS
1	AM108854	PISTON RING KIT	1	(SUB FOR AM32080)
1	AM108733	PISTON RING KIT	1	(.254 MM) .010" OVERSIZE, (SUB FOR AM32081) (SUB AM108855)
1	AM108855	PISTON RING KIT	1	(.508 MM) .020" OVERSIZE, (SUB FOR AM32082)
1	AM108734	PISTON RING KIT	1	(.762 MM) .030" OVERSIZE, (SUB FOR AM32083)
2	AM38385	PISTON	1	(SUB FOR AM32076)
2	AM102928	PISTON	1	(.254 MM) .010" OVERSIZE, (SUB FOR AM32077)
2	AM102790	PISTON	1	(.508 MM) .020" OVERSIZE, (SUB FOR AM32078)
2	AM32079	PISTON	1	(.762 MM) .030" OVERSIZE
3	M44153	RETAINER	2	(SUB FOR M43166)
4	AM102766	CONNECTING ROD	1	(SUB FOR AM33689)
4	AM102767	CONNECTING ROD	1	(.254 MM) .010" OVERSIZE, (SUB FOR AM31581)
5	M43167	WASHER	2	
6	12H304	LOCK WASHER	2	3/8"
7	.....	SCREW	2	(ORDER AM102766 OR AM102767)



Thank you so much for reading.  
Please click the “Buy Now!”  
button below to download the  
complete manual.



After you pay.

You can download the most  
perfect and complete manual in  
the world immediately.

Our support email:

[ebooklibonline@outlook.com](mailto:ebooklibonline@outlook.com)