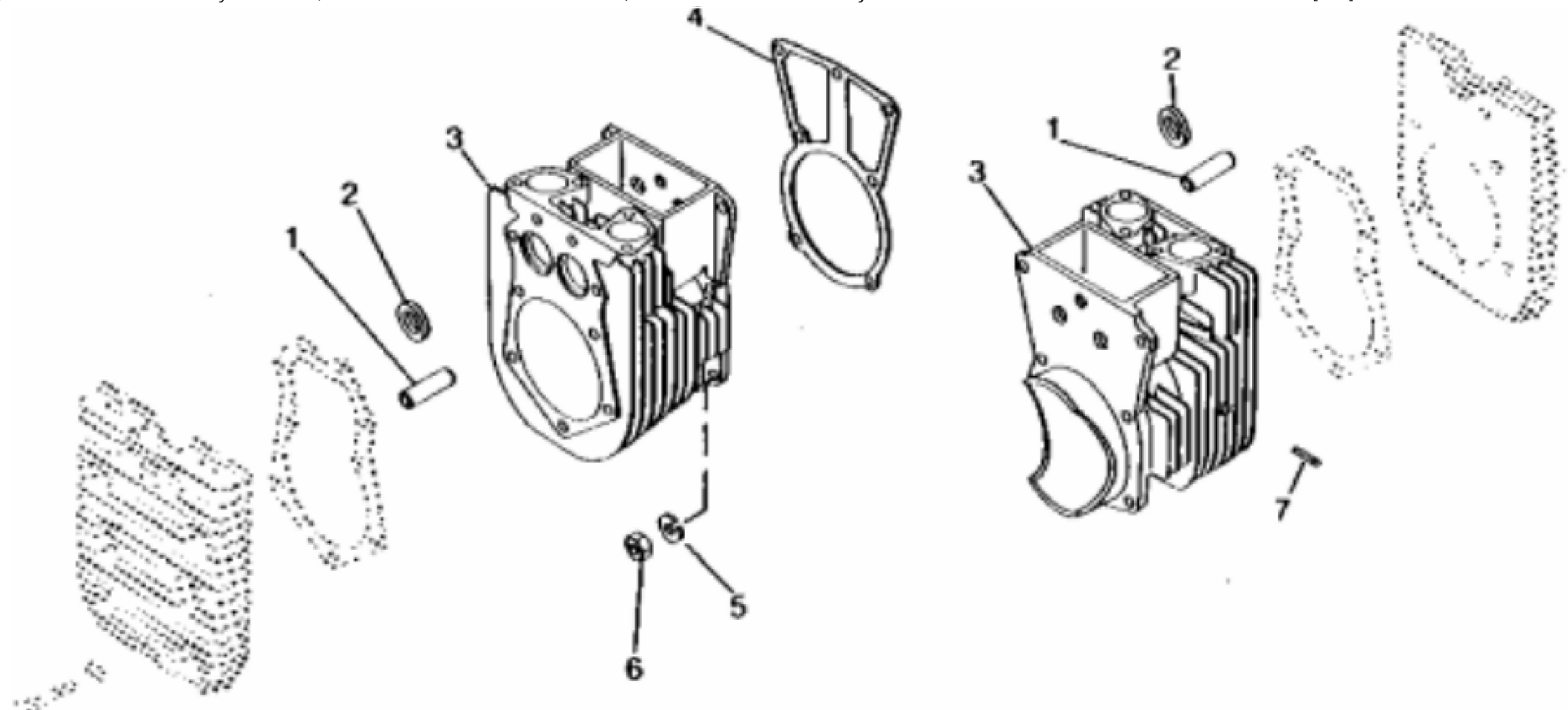


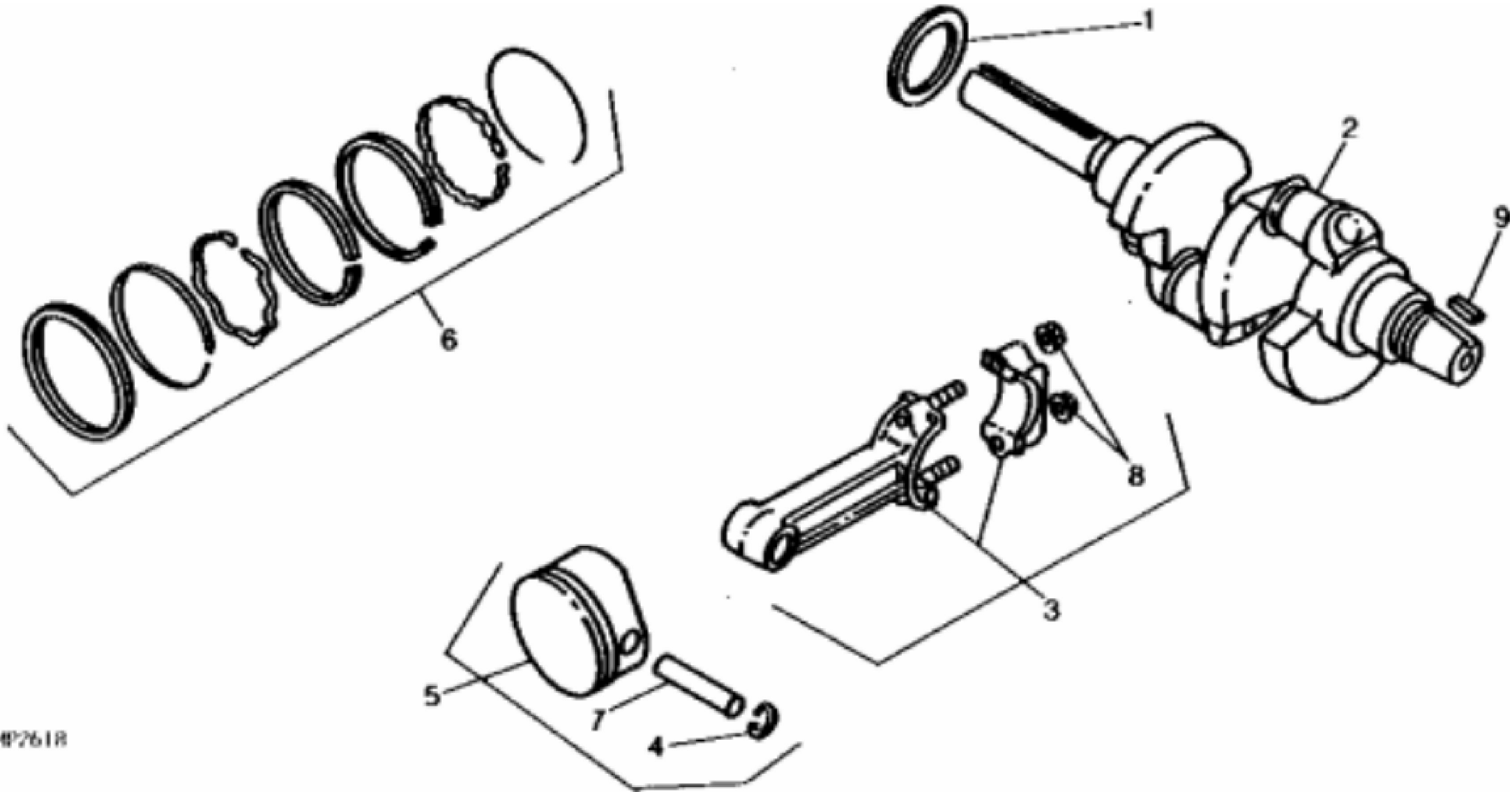
HD2616

KEY	PART NO.	PART NAME	QTY	REMARKS	
1	M83543	CYLINDER HEAD	2	(SUB FOR M83034)	
2	M70347	ENGINE CYLINDER HEAD GASKET	2	CYLINDER HEAD (SUB FOR M83035 AND M84364)	
3	M42034	BOLT	17		
4	M42010	WASHER	18		
5	M42097	STUD	1		
6	14H785	NUT	1	5/16"	
7	M85204	SPACER	1		



HP2617

KEY	PART NO.	PART NAME	QTY	REMARKS	
1	M84722	GUIDE	2	(SUB FOR M83125)	
2	M83126	VALVE SEAT INSERT	2		
3	AM38852	CYLINDER BLOCK	2	(SUB FOR AM38010)	
4	M83028	ENGINE CYLINDER HEAD GASKET	2	CYLINDER BARREL	
5	12H304	LOCK WASHER	12	3/8"	
6	14H1076	NUT	12	3/8"	
7	34H252	SPRING PIN	1	1/8" X 1-1/4"	



MP2618

[A14]

KEY	PART NO.	PART NAME	QTY	Tractor Serial No.	REMARKS	
1	M83031	THRUST WASHER	AR		(.119/.122 THICK)	
1	M83032	THRUST WASHER	1		(.128/.131 THICK)	
1	M83033	THRUST WASHER	AR		(.137/.140 THICK)	
2	AM38012	CRANKSHAFT	1	____-191543		
2	AM38854	CRANKSHAFT	1	191544-____		
2	AM100427	CRANKSHAFT	1		(KT17QS24301)	
3	AM100423	CONNECTING ROD	2		STD, (SUB FOR AM38695 OR AM38023) (ENG. S.N. - 15089861)	
3	AM104118	CONNECTING ROD	2		STD, (ENG. S.N. 15089862- )	
3	AM100424	CONNECTING ROD	2		.010 U.S. (SUB FOR AM38024 OR AM39312) (ENG. S.N. - 15089861)	
3	AM104954	CONNECTING ROD	2		.010 U.S. (ENG. S.N. 15089862- )	
4	M42013	RETAINER	4			
5	AM102940	PISTON	2		STD, (SUB FOR AM38028 OR AM38691) (ENG. S.N. - 15089861)	
5	AM104116	PISTON	2		STD (ENG. S.N. (15089862- )	
5	AM102941	PISTON	2		.003 O.S. (SUB FOR AM100445) ENG. S.N. -15089861)	
5	AM104117	PISTON	2		.003 O.S. (ENG.S.N. 15089862- )	
5	AM102942	PISTON	2		.010 O.S. (SUB FOR AM38029 OR AM38692) (ENG. S.N. -15089861)	
5	AM104955	PISTON	2		.010 O.S. (ENG. S.N. 15089862- )	
5	AM102943	PISTON	2		.020 O.S. (SUB FOR AM38030 OR AM38693) (ENG. S.N. -15089861)	
5	AM104956	PISTON	2		.020 O.S. (ENG. S.N. 15089862- )	
5	AM102944	PISTON	2		.030 O.S. (SUB FOR AM38031 OR AM38694) (ENG. S.N. -15089861)	
5	AM104957	PISTON	2		.030 O.S. (ENG. S.N. 15089862- )	
6	AM102951	PISTON RING KIT	2		STD. (SUB FOR AM38032)	
6	AM103293	RING	2		.010 O.S. (SUB FOR AM38033)	
6	AM102394	RING	2		.020 O.S. (SUB FOR AM38034)	
6	AM38035	RING	2		.030 O.S. (ENG. S.N. -15089861)	
6	AM104958	RING	2		.030 O.S. (ENG. S.N. 15089862- )	
7	.....	PISTON PIN	2		(INCLUDED WITH PISTON)	

Thank you so much for reading.  
Please click the “Buy Now!”  
button below to download the  
complete manual.



After you pay.

You can download the most  
perfect and complete manual in  
the world immediately.

Our support email:

[ebooklibonline@outlook.com](mailto:ebooklibonline@outlook.com)