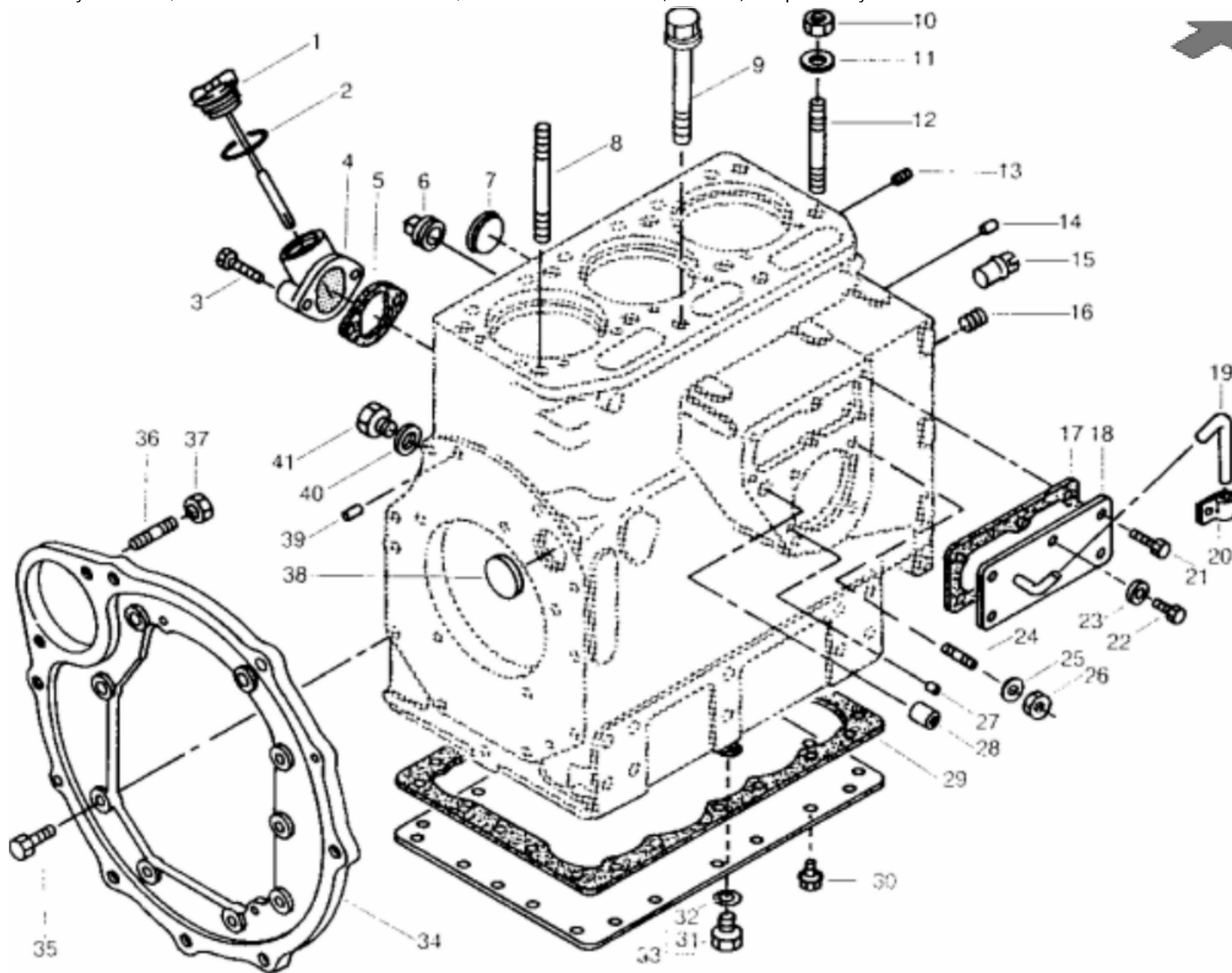


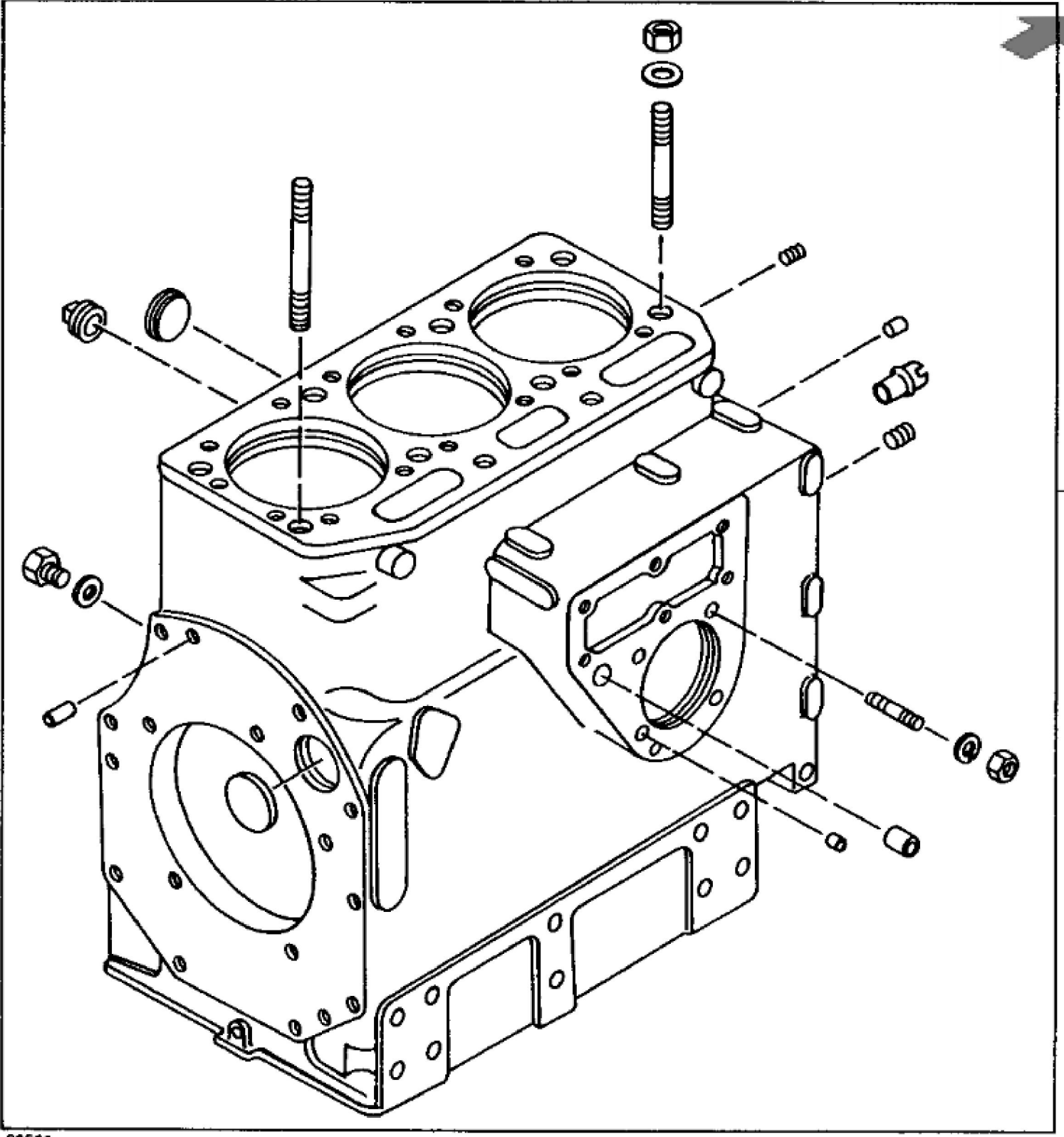
RWP3562

KEY	PART NO.	PART NAME	QTY	REMARKS	
1	CH10451	BOLT	3		
2	CH10569	PACKING	3		
3	19M7300	CAP SCREW	4	M6 X 10	
4	CH10446	COVER	2		
5	M811640	GASKET	2	(SUB FOR CH12817)	
6	M805710	CAP	1	(SUB FOR CH10332)	
7	T32587	O-RING	1	(SUB FOR CH10572)	
8	CH13884	ENGINE CYLINDER HEAD GASKET	1		
9	CH14074	COVER	1	NLA	



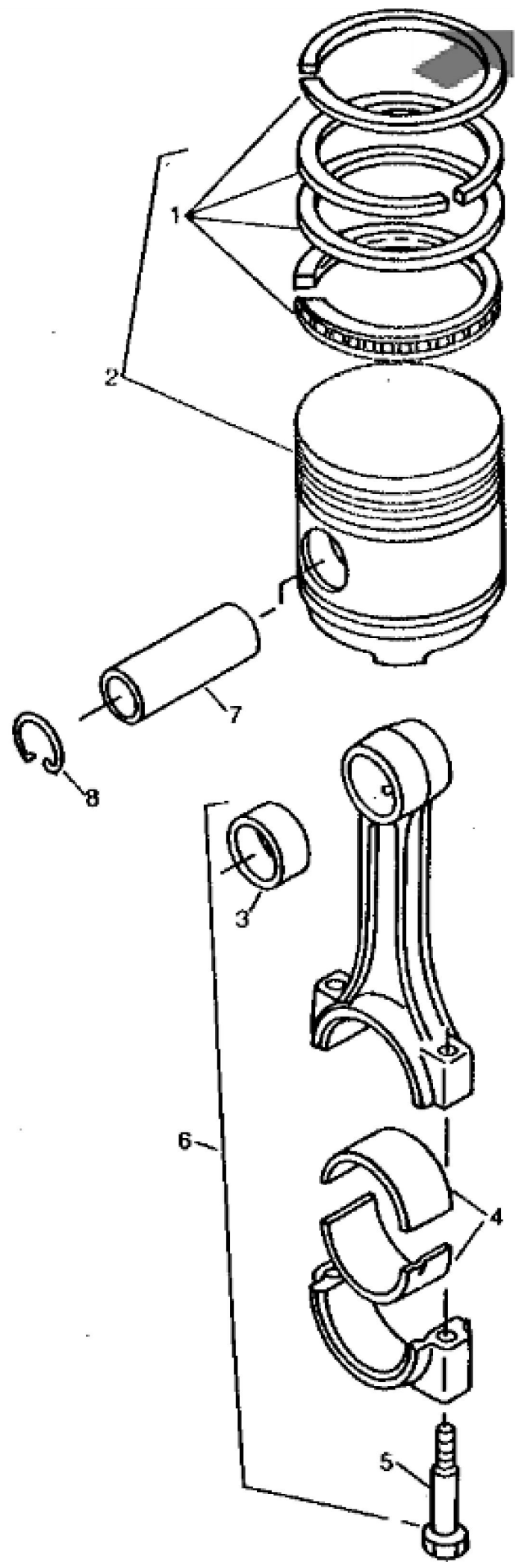
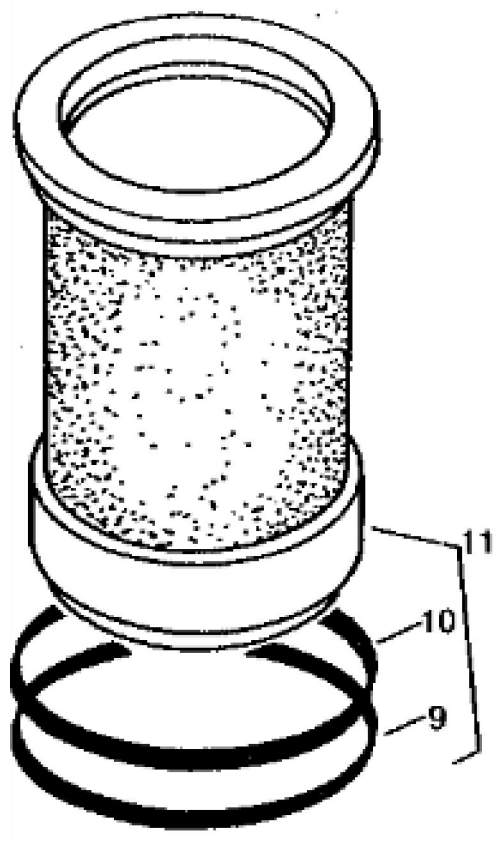
KEY	PART NO.	PART NAME	QTY	Engine Serial No.	REMARKS
1	CH10178	DIPSTICK	1		NLA
2	T32587	O-RING	1	____-XXXXXX	(SUB FOR CH10572)
2	CH15414	PACKING	1	XXXXXX-____	
3	19M7298	CAP SCREW	2		M8 X 35
4	CH10173	FLANGE	1		NLA
5	M810521	GASKET	1		(SUB FOR CH12818)
6	15H562	PIPE PLUG	1		1"
7	30M7023	PLUG	2		
8	CH10385	BOLT	1		
9	CH12841	BOLT	2		M10 X 100
10	CH10387	NUT	8		
11	CH10386	WASHER	8		
12	CH10384	BOLT	7		
13	CH10314	PLUG	2		
14	M802255	PIN	2		(SUB FOR CH10534)
15	CH10363	PIPE	1		NLA
16	CH10335	PLUG	1		
17	M811639	GASKET	1		(SUB FOR CH12815)
18	CH10179	COVER	1		
19	CH10552	PIPE	1		M9 X 500
20	CH10331	CLAMP	1		
21	19M7560	CAP SCREW	2		M6 X 16
22	CH10577	BOLT	4		M6 X 14
23	24M7054	WASHER	4		6.400 X 12 X 1.600 mm
24	CH10614	STUD	2	____-XXXXXX	M8 X 22
24	CH15722	STUD	2	XXXXXX-____	M8 X 22
25	12M7065	LOCK WASHER	2		8 mm
26	14M7273	NUT	2		M8
27	CH10532	PIN	1		M4 X 10
28	CH10465	BUSHING	1		
29	M811638	GASKET	1		(SUB FOR CH12821)
30	CH19780	BOLT	20		M8 X 14, (SUB FOR CH12839)
31	CH10315	PLUG	1		
32	CH10569	PACKING	1		

KEY	PART NO.	PART NAME	QTY	Engine Serial No.	REMARKS	
33	CH12810	OIL PAN	1			
34	CH10175	FLANGE	1		NLA	
35	CH13938	BOLT	9		M10 X 28, (SUB FOR CH10593)	
36	CH10389	STUD	2		NLA	
37	14M7275	NUT	2		M12	
38	M806843	PLUG	1		M40, (SUB FOR CH10640)	
39	CH10535	PIN	2		M8 X 20	
40	CH10183	PACKING	2		M10	
41	CH10561	PLUG	2		M10	



RP529

KEY	PART NO.	PART NAME	QTY	REMARKS	
1	CH18173	CYLINDER BLOCK	1	NLA (SUB FOR CH12833)	
1	CH19590	SHORT BLOCK ASSEMBLY	1	NLA (SUB FOR CH14168, CH15729 OR CH18172)	



RP1380

Thank you so much for reading.  
Please click the “Buy Now!”  
button below to download the  
complete manual.



After you pay.

You can download the most  
perfect and complete manual in  
the world immediately.

Our support email:

[ebooklibonline@outlook.com](mailto:ebooklibonline@outlook.com)