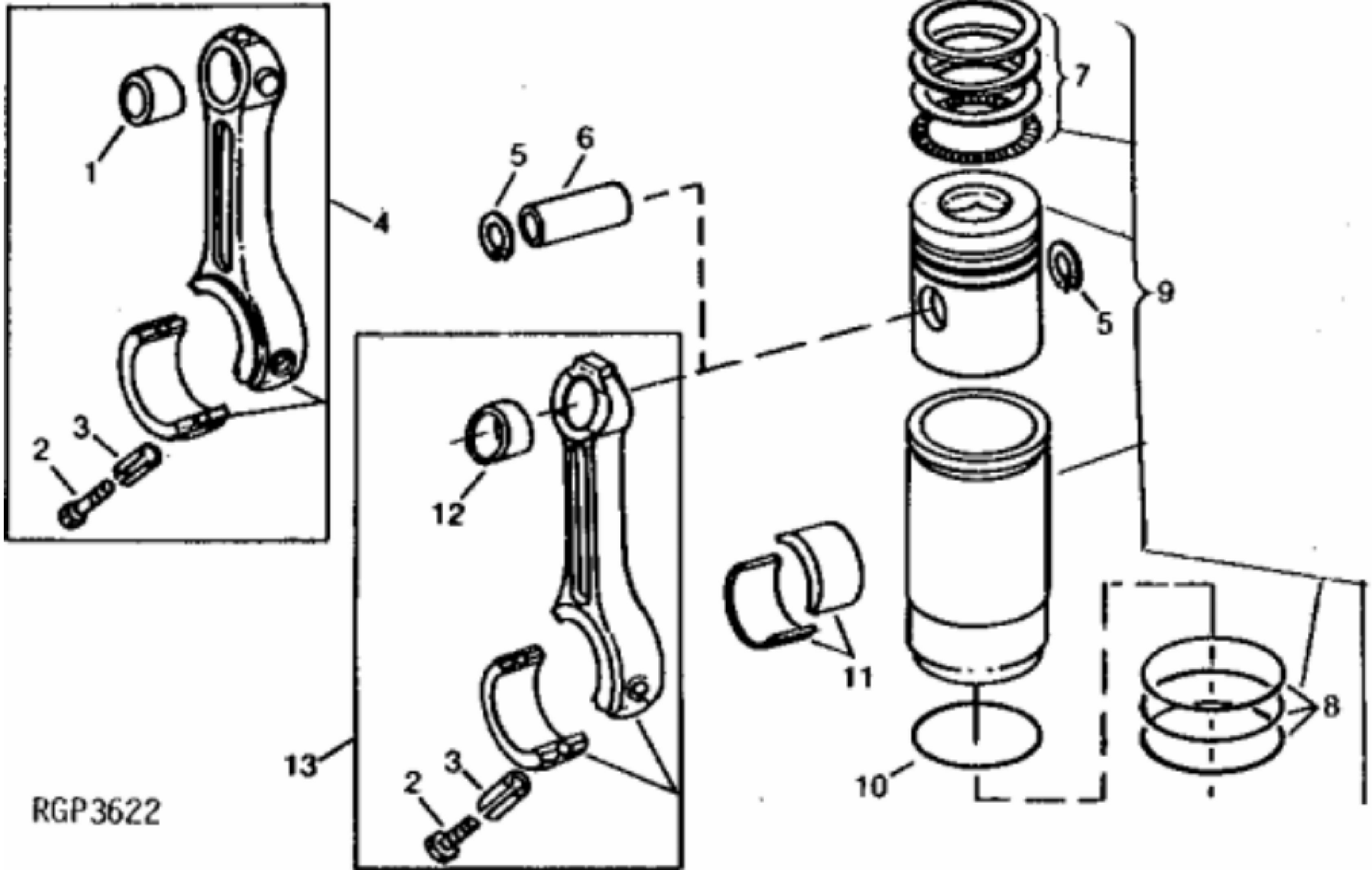


RGP2569

John Deere > Construction And Forestry > COMPACTOR > 646C - COMPACTOR > 646C Compactor > 4 ENGINE 4 > CAMSHAFT AND VALVE ACTUATING MEANS 0402 > 0402-4 - ENGINE VENTILATOR  
 OUTLET AND ROCKER ARM COVER (6466) [01E11]

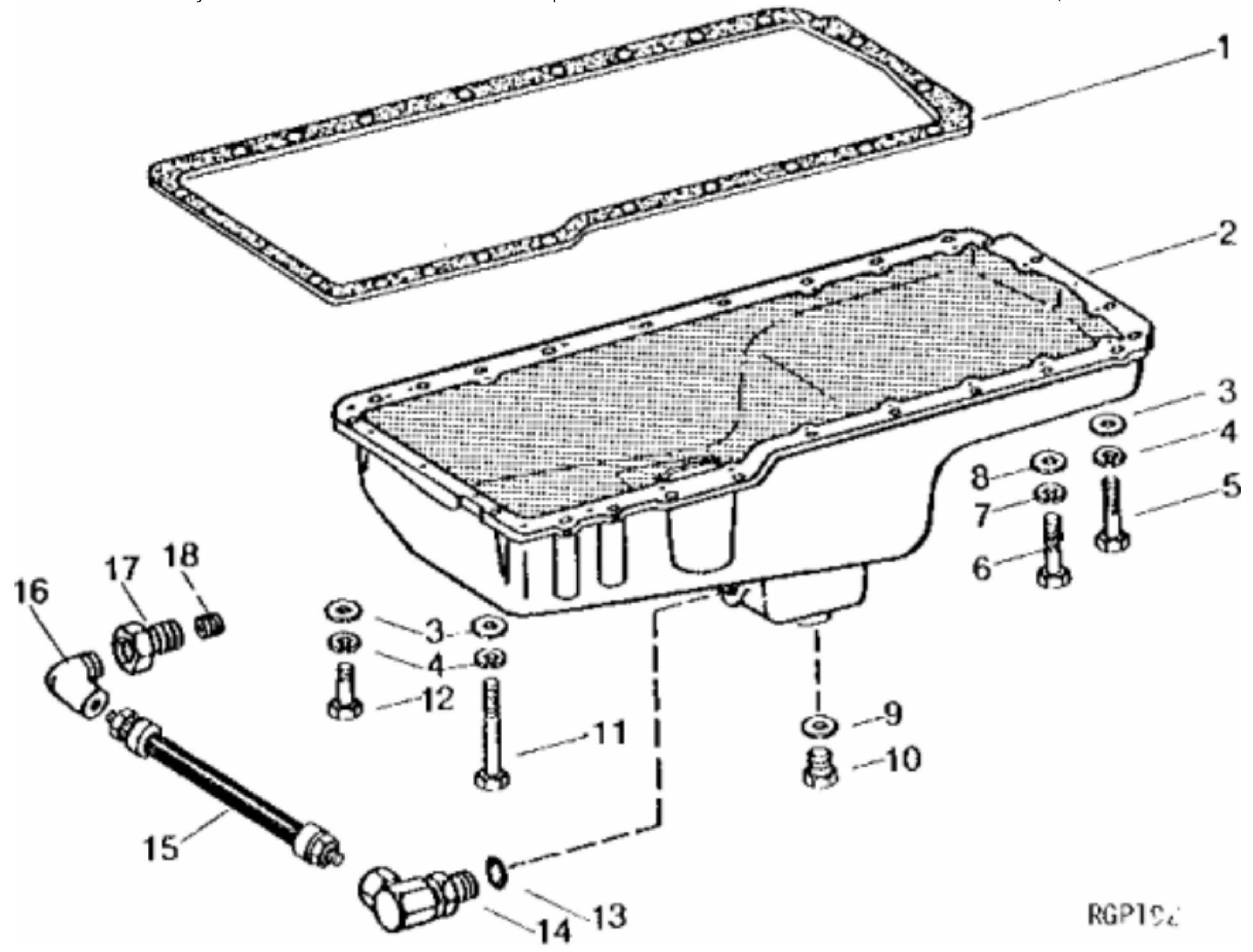
KEY	PART NO.	PART NAME	QTY	Engine Serial No.	REMARKS
1	TY22467	CLAMP	2		(SUB FOR AR21839)
2	AR103811	SCREW WITH WASHER	8	____-329283	6.350 X 19.050 MM (1/4" X 3/4") (SUB FOR AR45530)
2	AR100124	SCREW WITH WASHER	8	329284-____	
3	AR93172	COVER	1	____-345885	(SUB FOR AR73677) (SUB RE37448)
3	RE37448	COVER	1	345886-____	
4	R49866	GASKET	1		(SUB FOR R32593)
5	R50388	TUBE	1		
6	R99793	HOSE	1		19 MM X 889 MM (3/4" X 35") (SUB FOR R60753) (MAKE FROM TY22450)
6	TY22450	BULK HOSE	AR		(BULK)
..	TY24446	ADHESIVE	1		(SUB FOR AR31790)



RGP3622

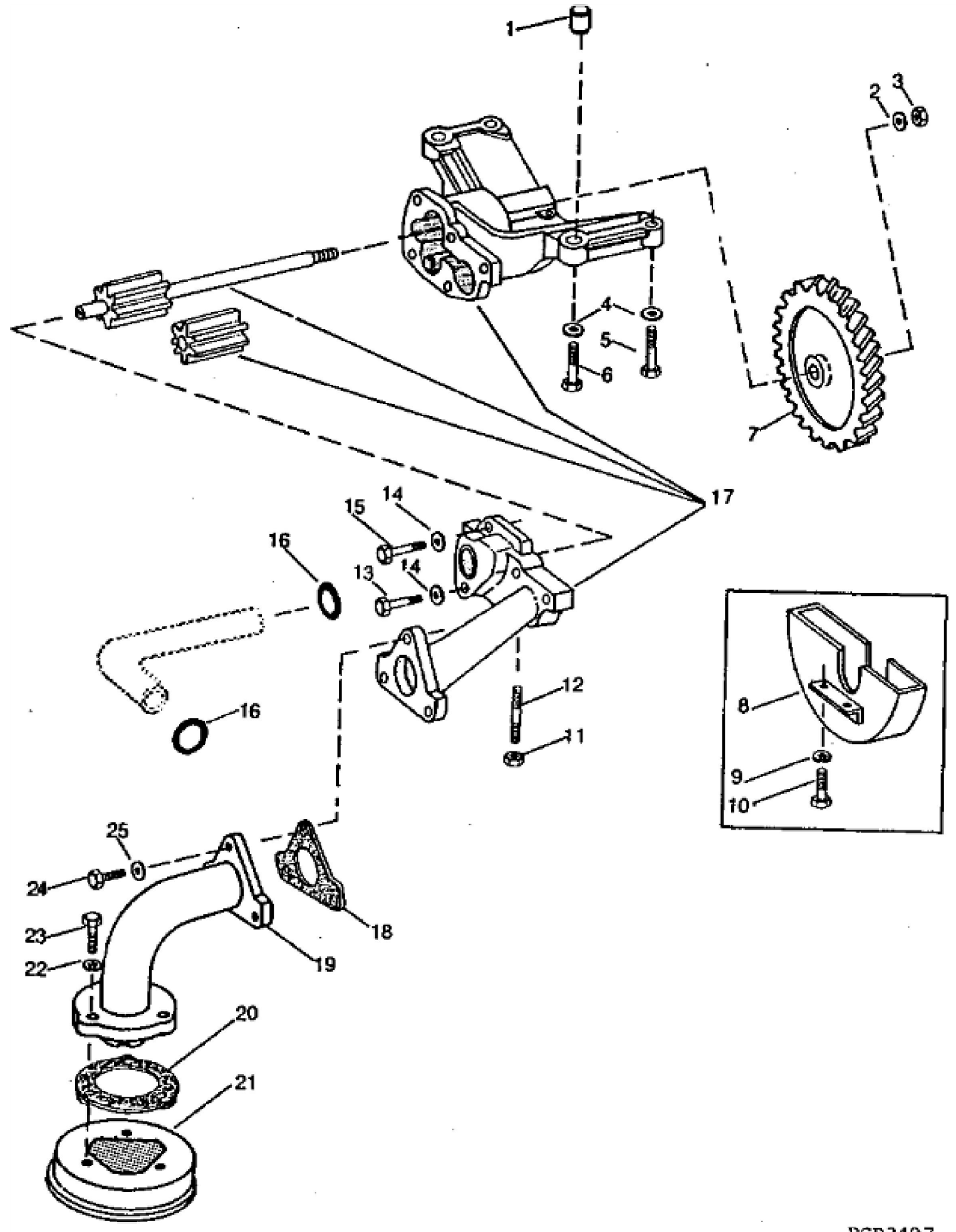
John Deere > Construction And Forestry > COMPACTOR > 646C - COMPACTOR > 646C Compactor > 4 ENGINE 4 > CONNECTING RODS AND PISTONS 0403 > 0403-1 - PISTONS, RINGS, LINERS AND CONNECTING RODS [01E12]

KEY	PART NO.	PART NAME	QTY	Engine Serial No.	REMARKS
1	R60724	BUSHING	6	____-235960	(U/W R67320)
2	R66452	CAP SCREW	12		
3	R53292	SLEEVE	12		
4	SE500079	CONNECTING ROD	6	____-235960	(SUB FOR AR87638) (MARKED R67320) (REMANUFACTURED)
5	E1343FN	SNAP RING	12		
6	R57771	PISTON PIN	6		
7	RE48380	PISTON RING KIT	6		(SUB FOR AR73627) (U/W AR63062, AR93629, AR93627, AR100616 OR AR98838)
8	AR98850	O-RING KIT	6		(SUB FOR AR73628)
9	RE60288	PISTON-LINER KIT	6	____-235960	(SUB FOR AR72079) (MRKD AR63062, AR93629 OR AR93627)
9	RE60284	PISTON-LINER KIT	6	235961-____	(MARKED AR100672 OR AR100671) (SUB FOR AR100960)
9	RE60282	PISTON-LINER KIT	6		(MARKED AR98838 OR AR100616)
10	R93948	SHIM	2		(MAX.)
11	AR73277	BEARING	AR		STD(PKG (2) R57583)
11	AR73278	BEARING	AR		0.05 MM(.002")US(PKG (2) R60485)
11	AR73279	BEARING	AR		0.25 MM(.010")US(PKG (2) R60486)
11	AR73280	BEARING	AR		0.51 MM(.020")US(PKG (2) R60487)
11	AR73281	BEARING	AR		0.76 MM(.030")US(PKG (2) R60488)
12	R74008	BUSHING	6	235961-____	(U/W R71074)
13	AR93341	CONNECTING ROD	6	235961-____	(MARKED R71074)
13	SE500498	CONNECTING ROD	6		(SUB FOR AR93341) (REMANUFACTURED)



RGPT94

KEY	PART NO.	PART NAME	QTY	REMARKS	
1	R49377	GASKET	1		
2	AR94245	OIL PAN	1	(SUB AR94562)	
3	24H1305	WASHER	22	13/32" X 13/16" X 0.065"	
4	12H304	LOCK WASHER	22	3/8"	
5	19H3485	CAP SCREW	2	3/8" X 2"	
6	19H2473	CAP SCREW	2	1/2" X 1-3/4"	
7	12H301	LOCK WASHER	2	1/2"	
8	24H1756	WASHER	2	1/2" X 1" X 0.060"	
9	A4827R	WASHER	1		
10	R26727	DRAIN PLUG	1		
11	19H3504	CAP SCREW	2	3/8" X 5-3/8"	
12	19H3267	CAP SCREW	18	3/8" X 1-5/8"	
13	F3171R	O-RING	1		
14	AU40690	ELBOW FITTING	1		
15	AU11507	HYDRAULIC HOSE - FABRICATE	1		
16	15H602	ELBOW FITTING	1		
17	R56407	FITTING	1		
18	15H584	PIPE PLUG	1	1/2"	



Thank you so much for reading.  
Please click the “Buy Now!”  
button below to download the  
complete manual.



After you pay.

You can download the most  
perfect and complete manual in  
the world immediately.

Our support email:

[ebooklibonline@outlook.com](mailto:ebooklibonline@outlook.com)