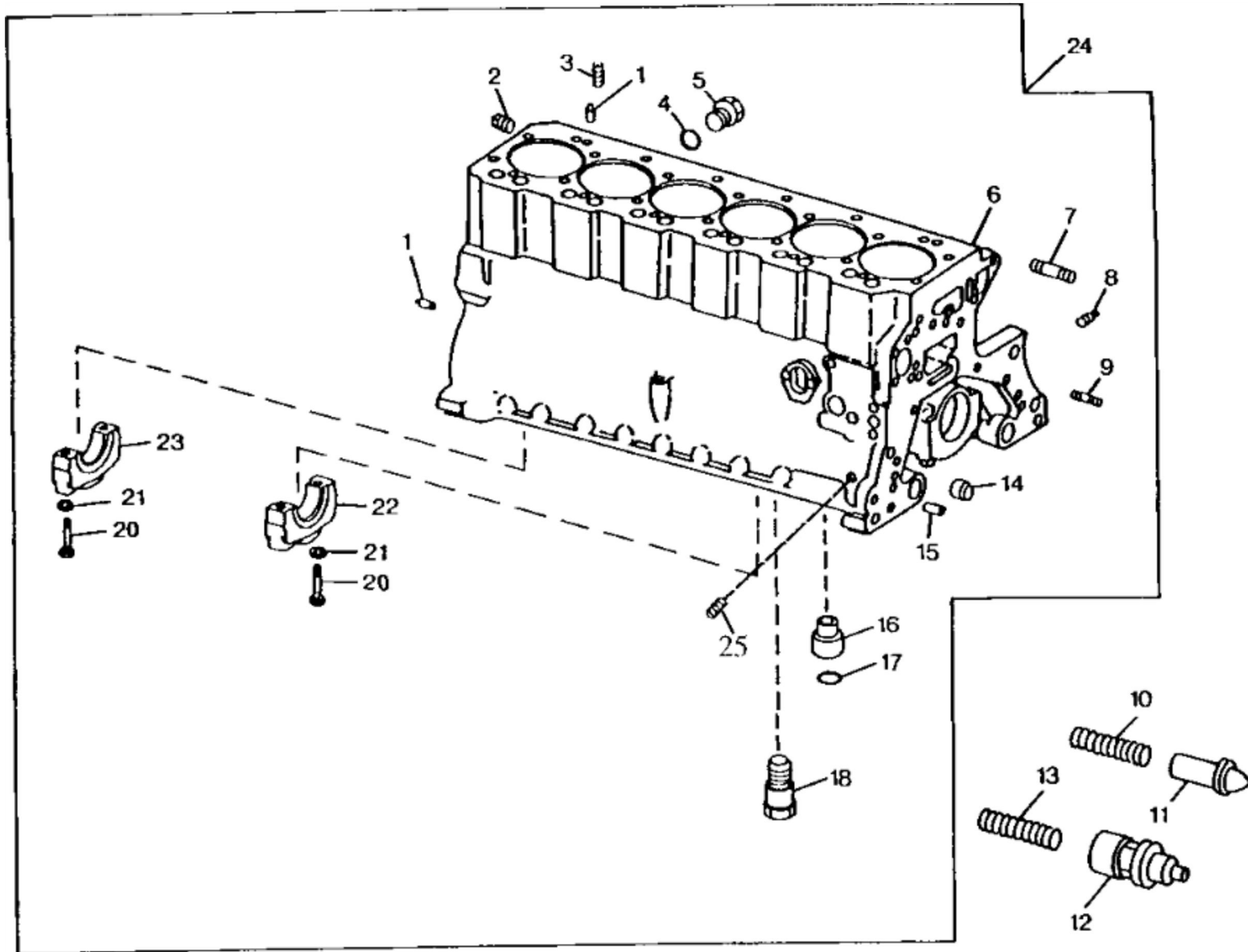
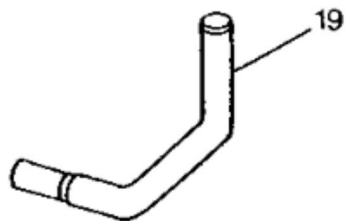


7P11026

KEY	PART NO.	PART NAME	QTY	REMARKS
1	15H585	PIPE PLUG	AR	3/4"
1	15H562	PIPE PLUG	AR	1"
2	R48685	DOWEL PIN	2	(SUB FOR R26241, THIS APPLICATION)
3	.....	CYLINDER BLOCK	1	
4A	AT13740	DRAIN VALVE	1	
4B	R55233	PIPE PLUG	1	
5	R39741	DRAIN PLUG	1	(WITHOUT ENGINE COOLANT HEATER)
6	U13639	O-RING	1	(WITHOUT ENGINE COOLANT HEATER)
7	15H558	PIPE PLUG	7	1/8", (SUB FOR RE12310)
8	T25701	STUD	1	
9	R122226	STUD	1	(SUB FOR R122226)
10	T18891	PLUG	2	
11	R26650	DOWEL PIN	2	
12	R65215	BEARING CAP	6	(SUB FOR AR82294)
13	T20168	WASHER	14	
14	T23474	CAP SCREW	14	
15	R79089	CAP	1	(SUB FOR AR82295)
16	R54802	ORIFICE	6	
17	R48685	DOWEL PIN	2	(SUB FOR A120R)
18	RE31656	CYLINDER BLOCK	1	(MARKED R90171, R112871 OR R124853) (SUB FOR AR97518) (MARKED R78557) (SUB RE50677) (ALSO ORDER (26) R85363, R83169, T27658, R111135, R111137 AND R112867)



TP46341

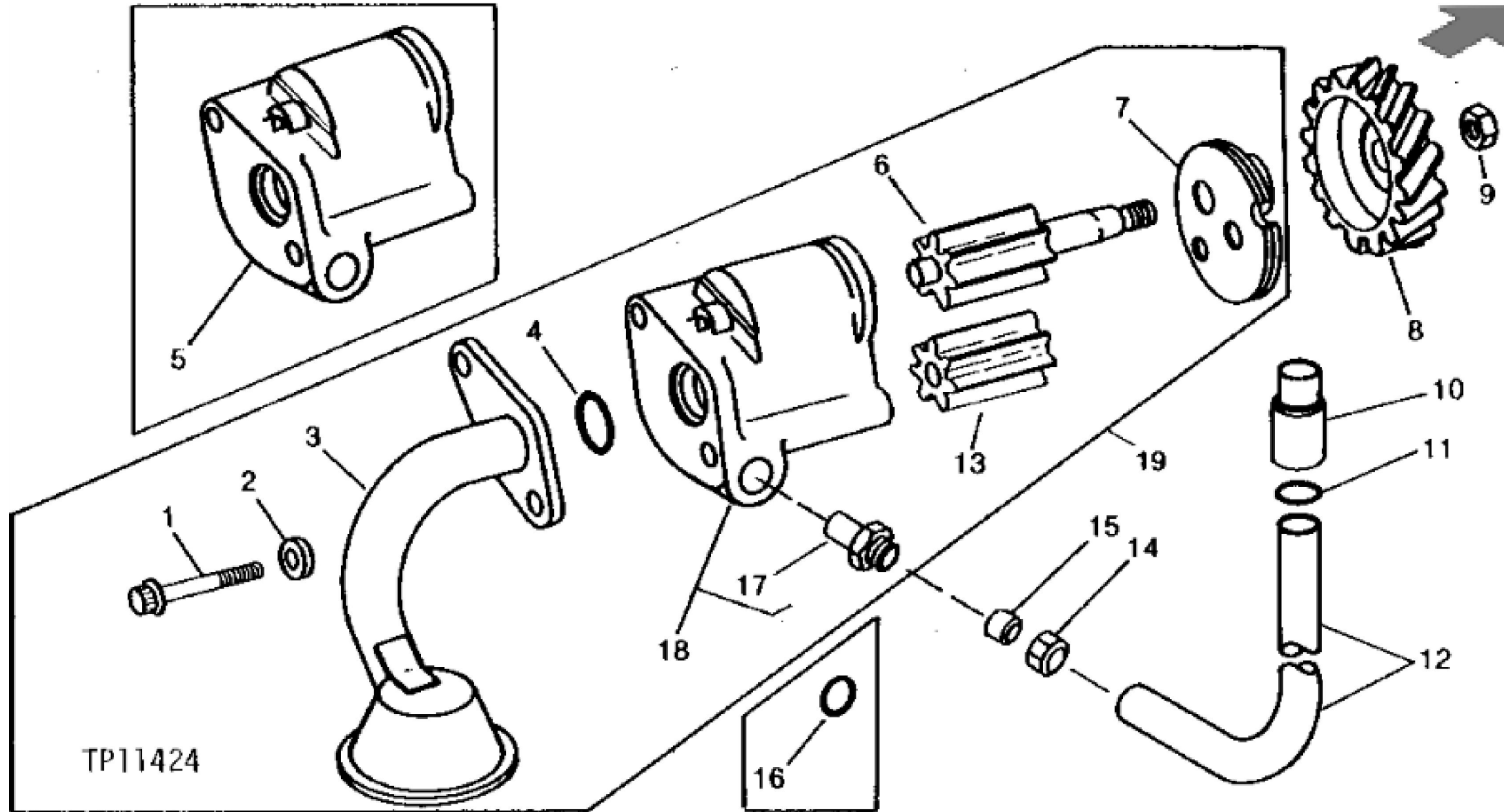


John Deere > Construction And Forestry >CRAWLER LOADER >655 - CRAWLER LOADER >655 Crawler Loader >4 ENGINE 4 >CYLINDER BLOCK 0404 >0404-2 - REPLACEMENT CYLINDER BLOCK AND MAIN BEARING CAP [01H24]

KEY	PART NO.	PART NAME	QTY	REMARKS
1	R48685	DOWEL PIN	4	
2	15H562	PIPE PLUG	1	1"
3	RE57836	PIPE PLUG	1	1/2", (SUB FOR 15H624)
4	U13639	O-RING	1	
5	R39741	DRAIN PLUG	1	
6	.....	CYLINDER BLOCK	1	
7	R122226	STUD	2	(SUB FOR R122226)
8	R104592	PIPE PLUG	7	
9	T25701	STUD	1	
10	T27658	SPRING	1	
11	R83169	VALVE	1	
12	R111135	VALVE	1	
13	R111137	SPRING	1	
14	R26493	BUSHING	1	OIL PRESSURE RELIEF VALVE
15	R26650	DOWEL PIN	2	
16	R115390	BUSHING	1	
17	R97185	O-RING	1	(OIL PUMP TUBE)
18	R54802	ORIFICE	6	
19	R112867	OIL TUBE	1	
20	T23474	CAP SCREW	14	
21	T20168	WASHER	14	
22	R65215	BEARING CAP	6	MAIN BEARING
23	R79089	CAP	1	MAIN BEARING
24	RE50677	CYLINDER BLOCK	1	(MARKED R112871 OR R124853) (ALSO ORDER R83169, T27658, R111135, R111137 AND R112867)
25	15H623	PIPE PLUG	AR	3/8"



KEY	PART NO.	PART NAME	QTY	REMARKS	
1	RE31657	SHORT BLOCK ASSEMBLY	1	(MARKED R90171) (SUB FOR AR95729, MARKED R78557 AND RE19127, MARKED R78557) R78557) (SUB FOR RE19876, MARKED R78557 AND RE25612, MARKED R78557) (SUB RE60843) (ALSO ORDER (26) R85363, R83169, T27658 AND R112867)	



Thank you so much for reading.  
Please click the “Buy Now!”  
button below to download the  
complete manual.



After you pay.

You can download the most  
perfect and complete manual in  
the world immediately.

Our support email:

[ebooklibonline@outlook.com](mailto:ebooklibonline@outlook.com)