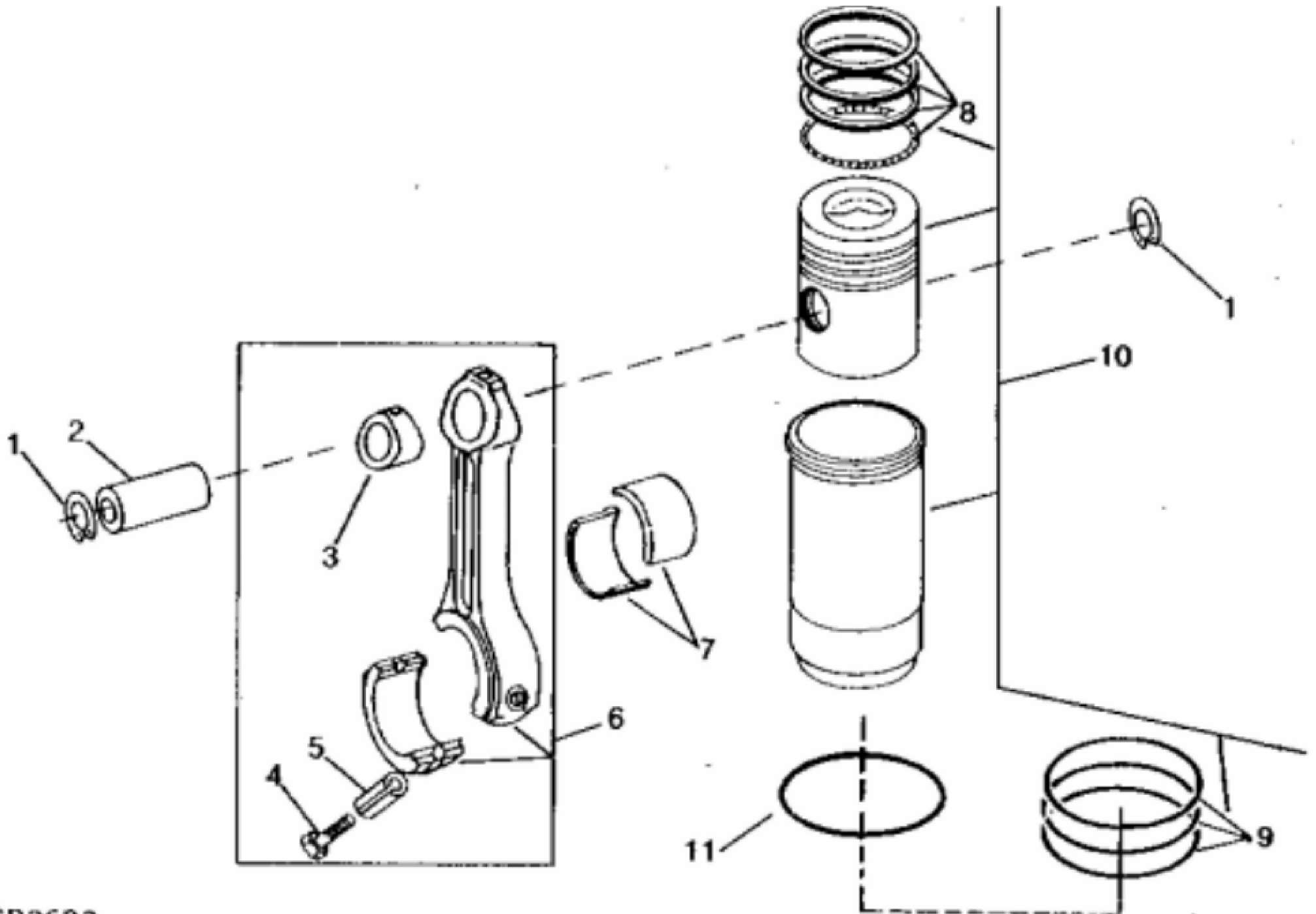


John Deere > Construction And Forestry > EXCAVATOR > 990 - EXCAVATOR > 990 Excavator > 4 ENGINE 4 > CAMSHAFT AND VALVE ACTUATING MEANS 0402 > 0402-10 - ROCKER ARM COVER AND CRANKCASE VENT (6101 - REPLACEMENT ENGINE) [01D22]

KEY	PART NO.	PART NAME	QTY	REMARKS
1	24H1287	WASHER	1	9/32" X 5/8" X 0.065"
2	12H302	LOCK WASHER	NA	1/4"
3	14H786	NUT	1	1/4"
4	AR102381	TUBE	1	
5	R56463	O-RING	1	
6	19H1813	CAP SCREW	2	5/16" X 5/8"
7	12H303	LOCK WASHER	NA	5/16"
8	AR102380	COVER	1	
9	19H1813	CAP SCREW	2	5/16" X 5/8"
10	R49492	GASKET	1	
11	R49690	DEFLECTOR	1	
12	R49692	FILTER ELEMENT	1	
13	R49691	ISOLATOR	1	
14	AR100124	SCREW WITH WASHER	9	
15	T20294	CAP	1	
16	T20328	GASKET	1	
17	AR102379	COVER	1	
18	R74365	GASKET	1	
19	TY22450	BULK HOSE	AR	
20	TY22467	CLAMP	1	

John Deere > Construction And Forestry > EXCAVATOR > 990 - EXCAVATOR > 990 Excavator > 4 ENGINE 4 > CONNECTING RODS AND PISTONS 0403 > 0403-1 - CONNECTING RODS, PISTONS, RINGS AND LINERS (8955 - EARLY ENGINE) [01D24]

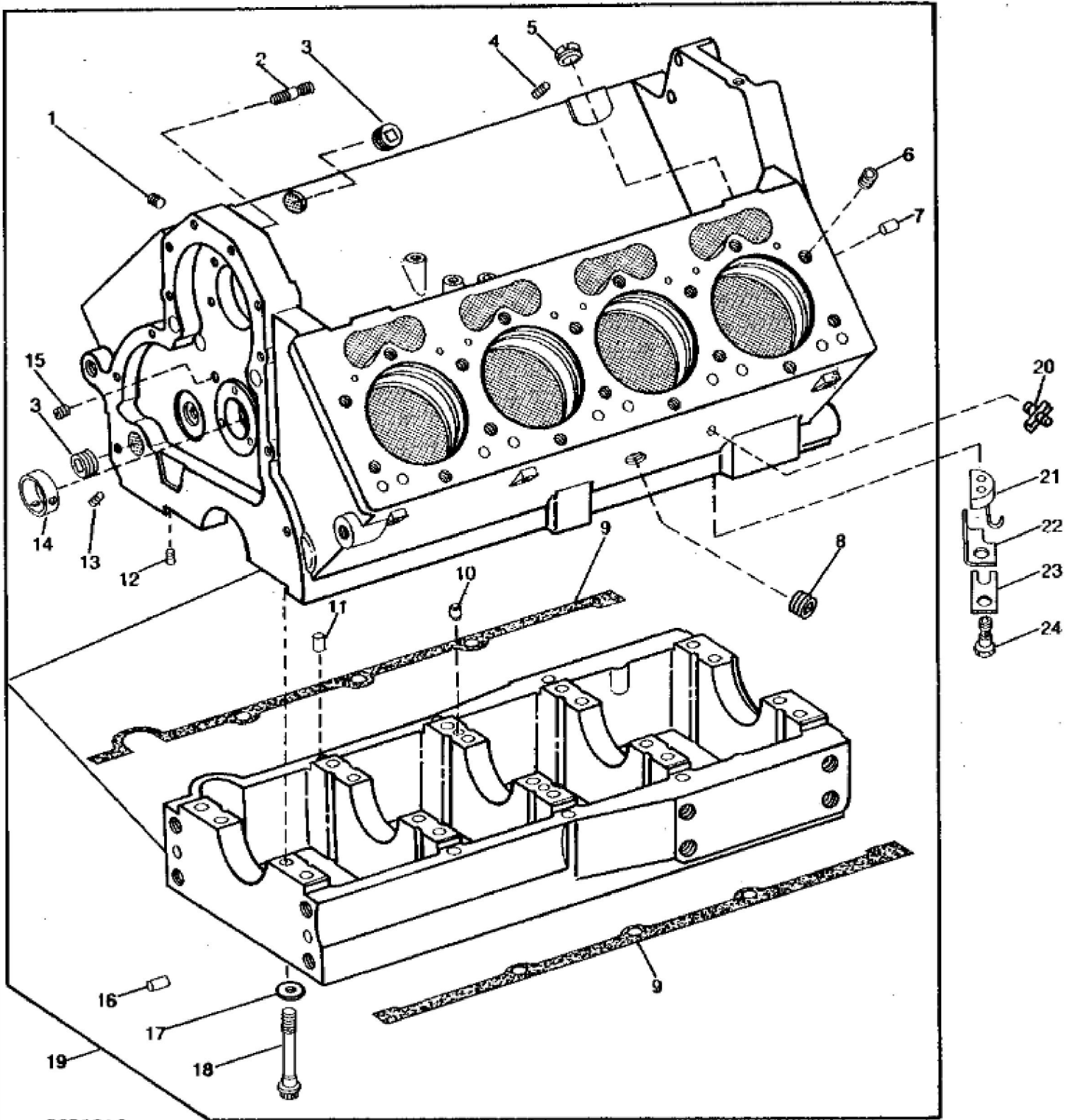
KEY	PART NO.	PART NAME	QTY	REMARKS
1	R60768	SCREW	16	
2	R60769	BUSHING	16	
3	R68131	BUSHING	8	
4	AR70670	CONNECTING ROD	8	(MARKED R58740) (SUB RG20632)
5	R61620	WEAR RING	16	
6	R61619	BUSHING	8	
7	AR83582	PISTON RING KIT	8	
8	AR104542	KIT	8	(MARKED AR78410)
9	AR83581	KIT	8	
10	RE13224	BEARING	8	STD (PKG (2) R78481) (SUB FOR RE10360)
10	RE13225	BEARING	AR	0.050 MM US (PKG (2) R78462)
10	RE13226	BEARING	AR	0.25 MM US (PKG (2) R78463)
10	RE13227	BEARING	AR	0.50 MM US (PKG (2) R78464)
10	RE20070	BEARING	AR	0.75 MM US (PKG (2) R81640)
11	R116255	SHIM	AR	



RGP3623

John Deere > Construction And Forestry > EXCAVATOR > 990 - EXCAVATOR > 990 Excavator > 4 ENGINE 4 > CONNECTING RODS AND PISTONS 0403 > 0403-2 - PISTON, RINGS, LINERS AND CONNECTING RODS (6101 - REPLACEMENT ENGINE) [01D25]

KEY	PART NO.	PART NAME	QTY	REMARKS
1	N51168	SNAP RING	12	
2	R64451	PISTON PIN	6	
3	R69045	BUSHING	6	(MARKED R63960)
4	R66453	CAP SCREW	12	
5	R48317	SLEEVE	12	
6	CONNECTING ROD	6	(AR79366 NO LONGER AVAILABLE) (MARKED R63959) (SUB SE500499)
6	SE500499	CONNECTING ROD REMAN	6	
7	AR101271	BEARING	AR	STD (PKG. OF (2) R74671)
7	AR104129	BEARING	AR	0.05 MM (.002") US (PKG (2) R76649)
7	AR104130	BEARING	AR	0.25 MM (.010") US (PKG (2) R76650)
7	AR104131	BEARING	AR	0.50 MM (.020") US (PKG (2) R76651)
7	AR104132	BEARING	AR	0.75 MM (.030") US (PKG (2) R76652)
8	AR82355	PISTON RING KIT	1	
9	AR72351	O-RING KIT	6	
10	RE53215	PISTON-LINER KIT	6	(A) (MARKED RE57949)
11	R81276	SHIM	AR	0.05 MM
11	R81277	SHIM	AR	0.10 MM



RGP1816

Thank you so much for reading.
Please click the “Buy Now!”
button below to download the
complete manual.



After you pay.

You can download the most
perfect and complete manual in
the world immediately.

Our support email:

ebooklibonline@outlook.com