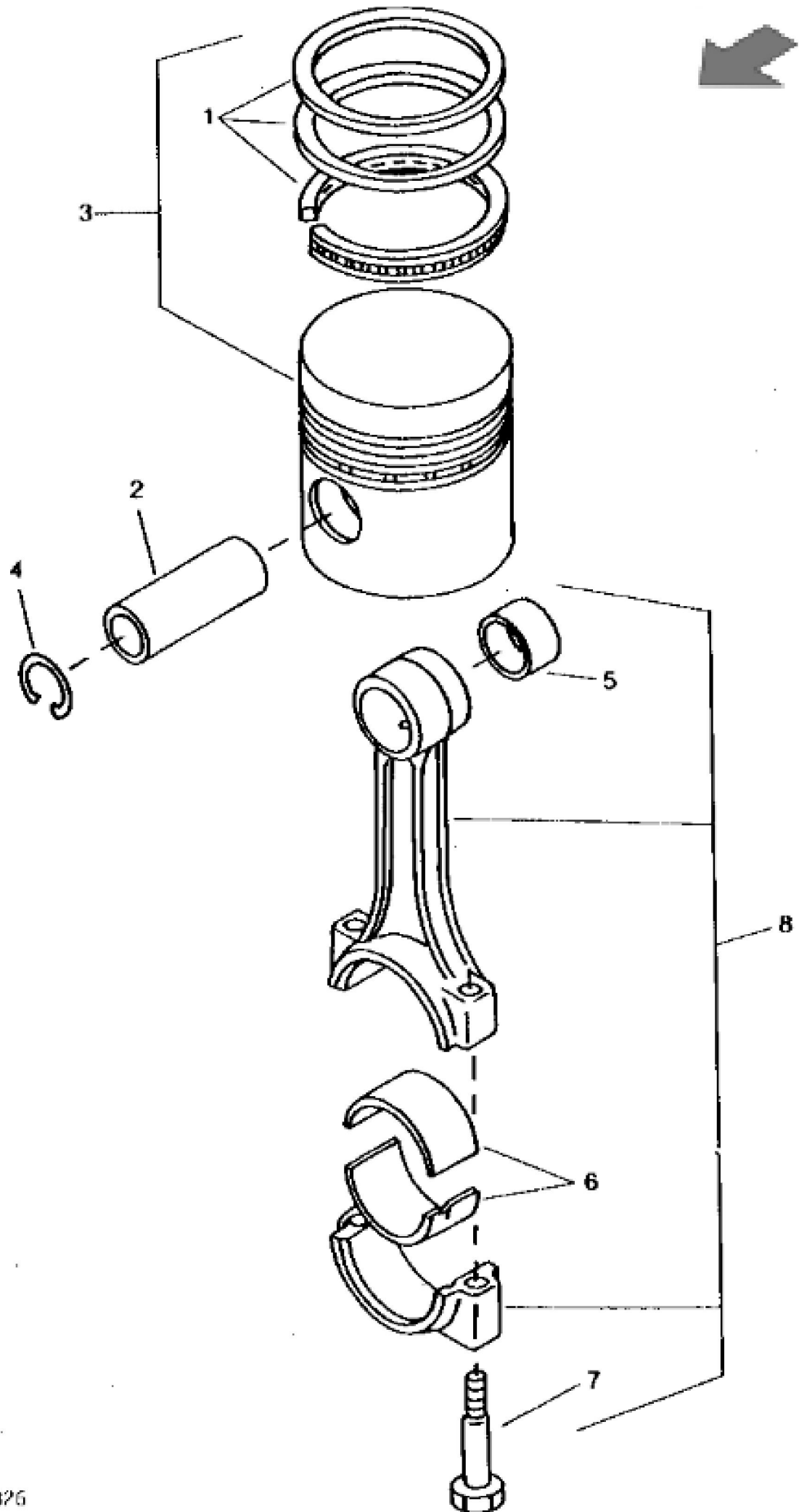


RP2031

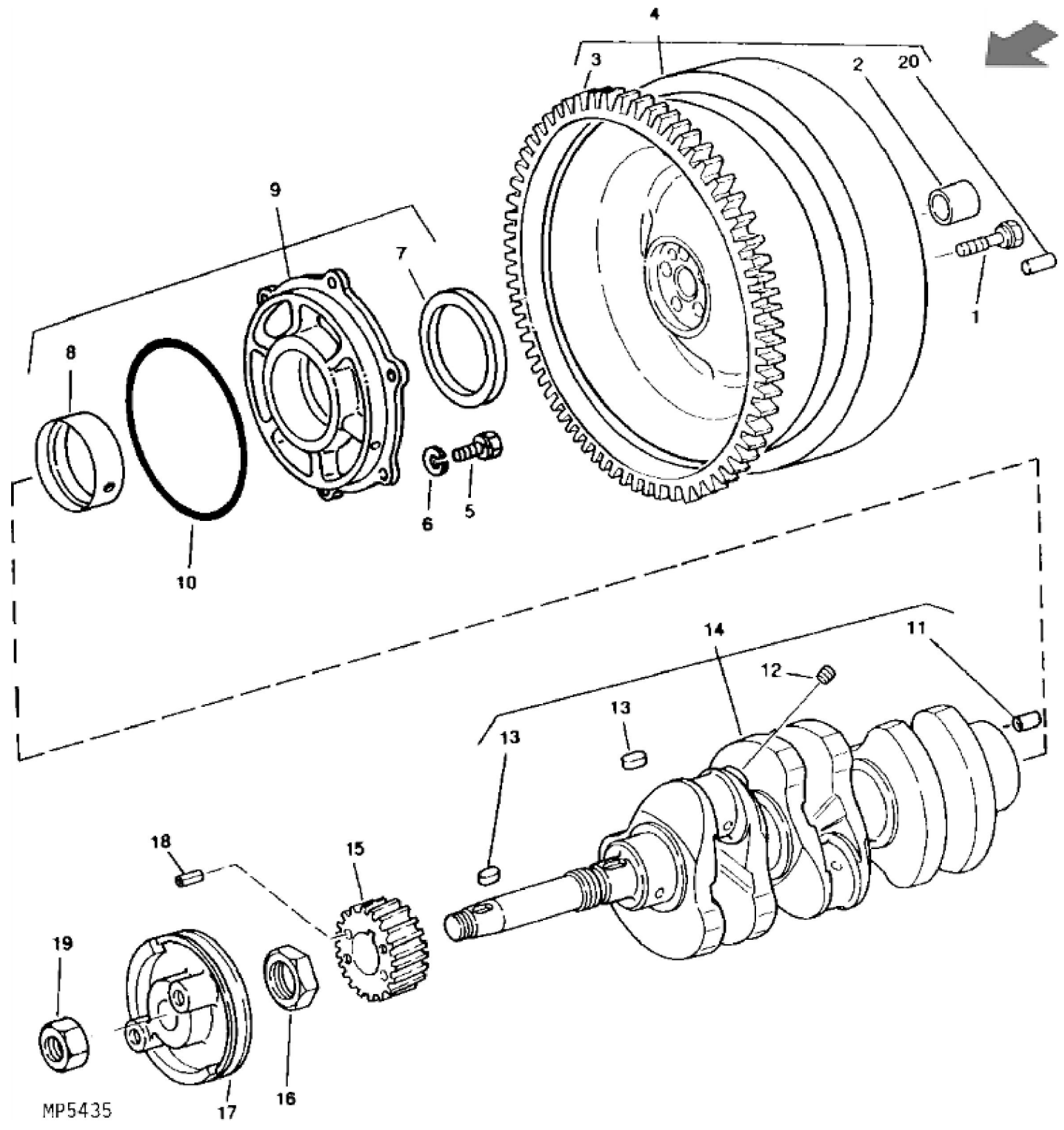
KEY	PART NO.	PART NAME	QTY	REMARKS
1	CH15494	DIPSTICK	1	
2	CH15495	GUIDE	1	
3	15H562	PIPE PLUG	2	1", (SUB FOR CH12097)
4	CH15384	STUD	4	M8 X 30
5	24M7055	WASHER	4	8.400 X 16 X 1.600 mm
6	12M7065	LOCK WASHER	4	8 mm
7	14M7273	NUT	4	M8
8	CH15370	NUT	2	
9	CH15368	STUD	2	
10	CH15381	PLUG	1	
11	CH15373	FLANGE	1	
12	M802255	PIN	2	M8 X 16, (SUB FOR CH10534)
13	19M7380	CAP SCREW	10	M10 X 22, (SUB FOR CH12027) (NLA)
14	CH10389	STUD	2	
15	14M7275	NUT	2	M12
16	30M7023	PLUG	4	
17	CH15531	FITTING	1	
18	CH10314	PLUG	7	
19	CH17953	WASHER	2	NLA; SUB FOR CH15383
20	CH15146	PACKING	2	
21	CH10335	PLUG	1	
22	CH15398	BUSHING	1	
22	CH17660	BUSHING	1	0.25MM (.0098"), UNDERSIZE
23	M805703	GASKET	1	(SUB FOR CH15378)
24	CH15377	COVER	1	
25	24M7088	WASHER	2	6.600 X 12 X 1.600 mm, (SUB FOR CH10522)
26	12M7006	LOCK WASHER	2	6 mm
27	19M7375	CAP SCREW	2	M6 X 18

KEY	PART NO.	PART NAME	QTY	Engine Serial No.	REMARKS
1	CH16656	CYLINDER BLOCK	1	____-004898	(ALSO ORDER (2) CH16660) (SUB FOR CH15596) (SUB CH17281)
1	CH17281	CYLINDER BLOCK	1	004899-____	



(650)

KEY	PART NO.	PART NAME	QTY	REMARKS
1	CH15608	PISTON RING	2	
1	CH15621	PISTON RING	2	NLA; OVERSIZED
2	CH15480	PISTON PIN	2	
3	CH15479	PISTON	2	WITH RINGS
3	CH15622	PISTON	2	0.25MM (.0098"), NLA; OVERSIZED, WITH RINGS
4	CH15481	SNAP RING	4	
5	M808605	BUSHING	2	(SUB FOR CH15482)
6	AM876252	BEARING	2	(SUB FOR (2) CH15484)
6	AM876250	BEARING	2	0.25MM (.0098"), (SUB FOR (2) CH17664) UNDERSIZE
7	CH15483	BOLT	4	
8	CH15609	CONNECTING ROD	2	



Thank you so much for reading.
Please click the “Buy Now!”
button below to download the
complete manual.



After you pay.

You can download the most
perfect and complete manual in
the world immediately.

Our support email:

ebooklibonline@outlook.com