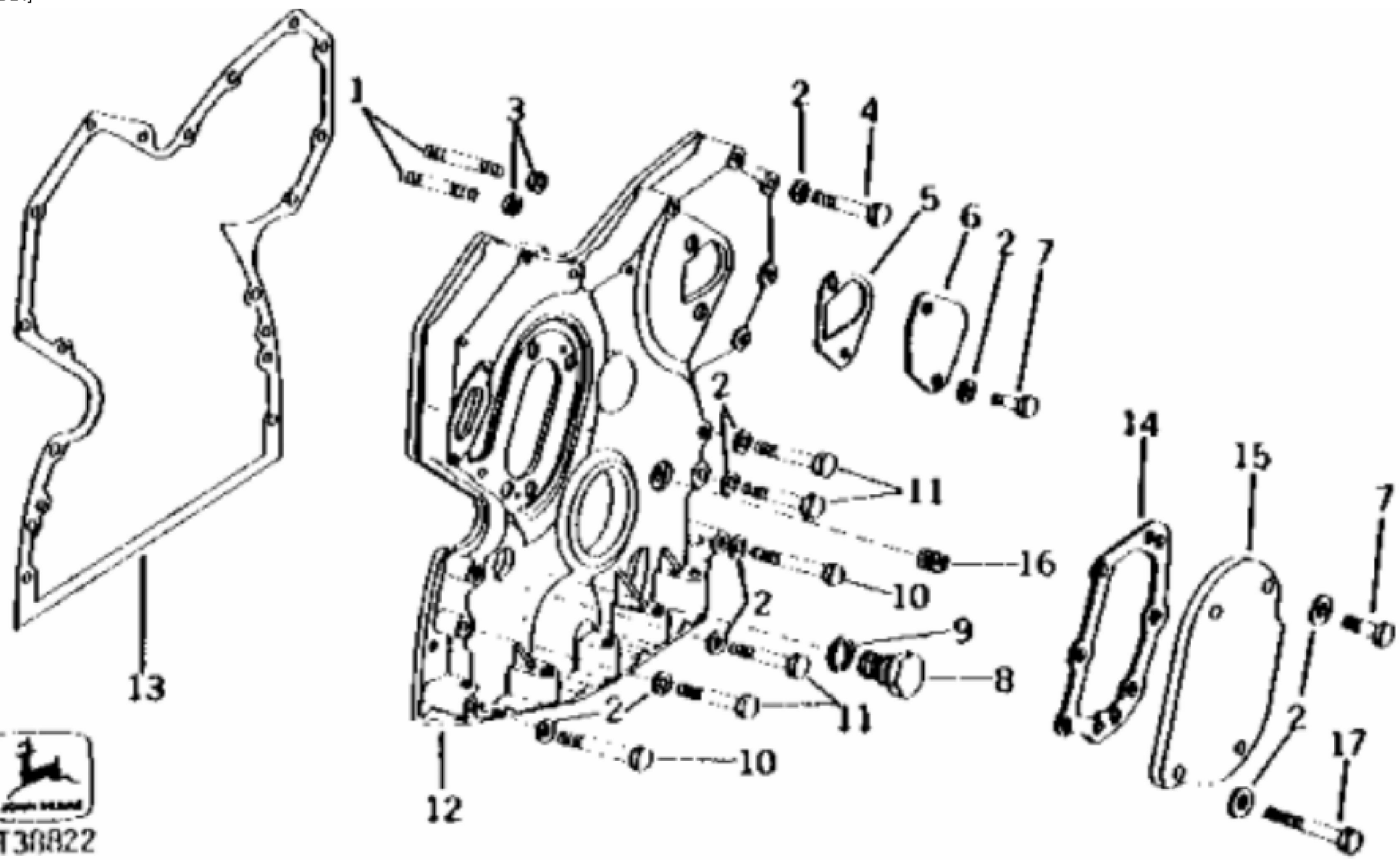
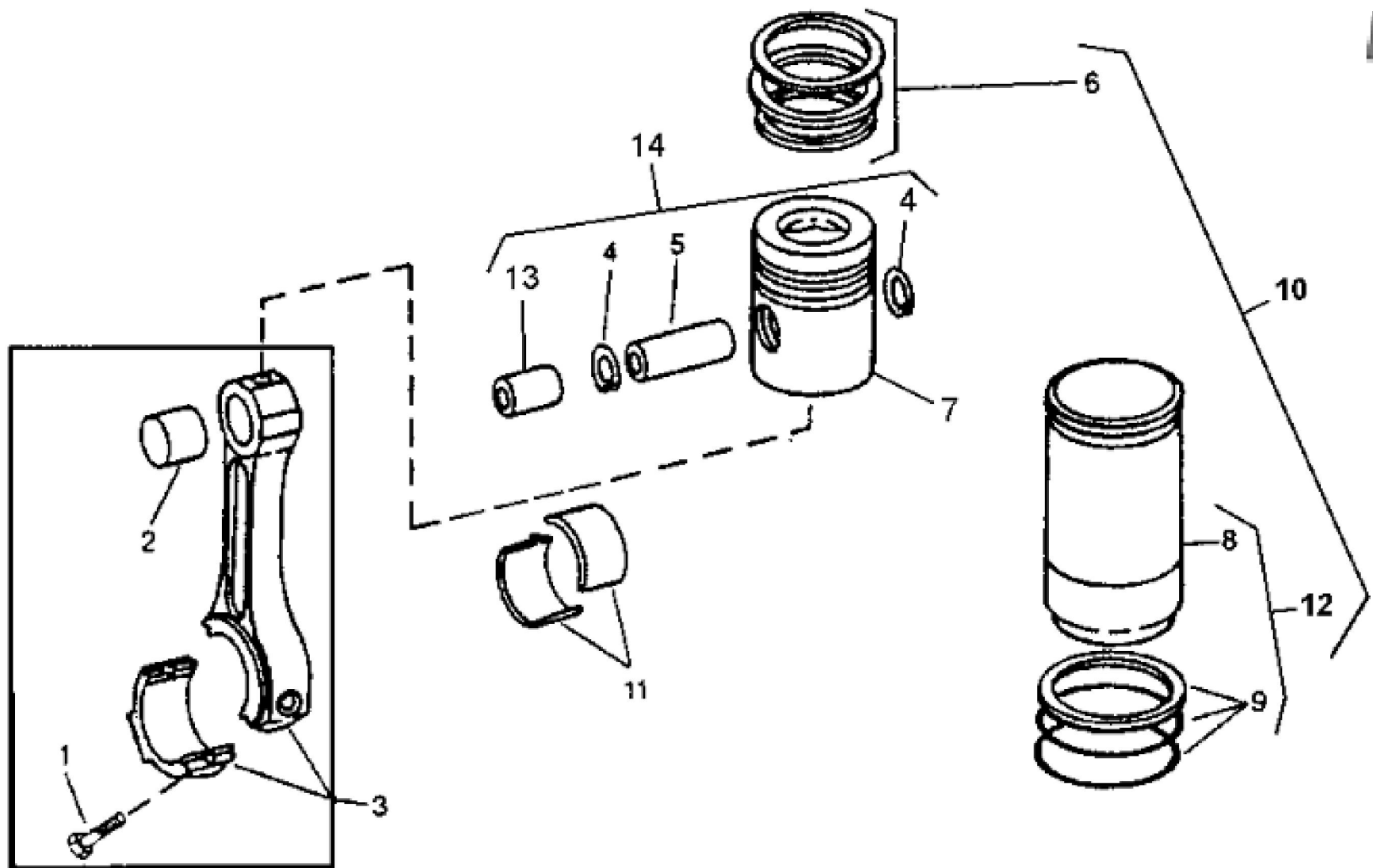


T44042

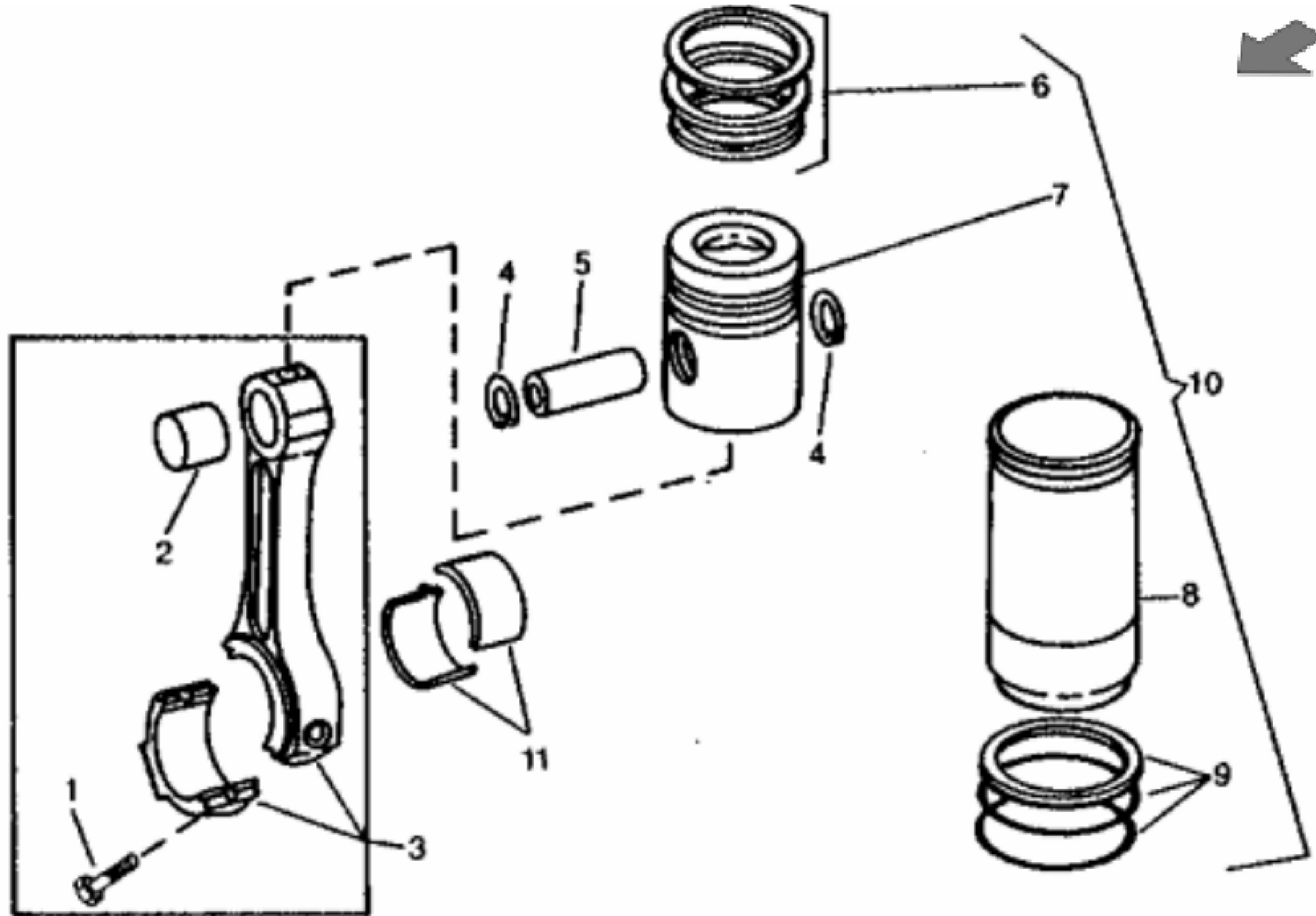
KEY	PART NO.	PART NAME	QTY	REMARKS	
1	19H2036	CAP SCREW	1	1/4" X 7/8"	
2	12H302	LOCK WASHER	1	1/4"	
3	R64764	WASHER	1		
4	AR65864	FILLER CAP	1		
5	AR103811	SCREW WITH WASHER	7	(SUB FOR AR100124)	
6	AR71130	VALVE COVER	1		
7	AR100596	GASKET	1		



KEY	PART NO.	PART NAME	QTY	REMARKS
1	R122226	STUD	2	(SUB FOR R122226)
2	24H1304	WASHER	18	13/32" X 23/32" X 0.120"
3	14H812	NUT	2	3/8"
4	19H2549	CAP SCREW	6	3/8" X 1-7/8"
5	R78366	GASKET	1	(SUB FOR R69260)
6	R126041	COVER	1	(SUB FOR T20362)
7	19H2284	CAP SCREW	5	3/8" X 7/8"
8	T27657	FITTING PLUG	1	
9	A4827R	WASHER	1	
10	19H3031	CAP SCREW	2	3/8" X 2-1/2"
11	19H2549	CAP SCREW	4	3/8" X 1-7/8"
12	AR58196	COVER	1	(MARKED R52880) (ALSO ORDER T20272, T20273, (3) 19H2284, 19H1726, (4) 24H1304 AND 15H275)
13	T20155	GASKET	1	
14	T20273	GASKET	1	
15	T20272	COVER	1	
16	15H275	PIPE PLUG	1	1/4"
17	19H1726	CAP SCREW	1	3/8" X 2-1/4"



KEY	PART NO.	PART NAME	QTY	REMARKS
1	R74195	SCREW	8	
2	BUSHING	4	(R56186 NO LONGER AVAILABLE)
3	RE53716	CONNECTING ROD	4	(MARKED R116851) (SUB FOR AR66400) (MARKED R56187)
4	R54114	SNAP RING	8	
5	PIN	4	(R124230 NO LONGER AVAILABLE,FURNISH RE63913)
6	RE66820	PISTON RING KIT	4	(SUB FOR RE15674 AND RE48818)
7	PISTON	4	(FURNISH RE19833)
8	R121867	CYLINDER LINER	4	(ALSO USE AR54749 LUBRICANT FOR CYLINDER LINER PACKING INSTALLAION) (SUB FOR R54505 OR R80500) (SUB RE500024)
9	AR65507	O-RING KIT	4	
10	RE19833	KIT	4	(SUB FOR AR71597, RE16615 AND RE19832)
11	AR69098	BEARING	4	(SET OF (2) R54801) (SUB AR97517)
11	BEARING	4	(AR68413 NO LONGER AVAILABLE) .05 MM (.002") UNDERSIZE (SET OF (2) R57123)
11	AR68414	BEARING	4	.25 MM (.010") UNDERSIZE (SET OF (2) R57124) (SUB AR97653)
11	AR68415	BEARING	4	.51 MM (.020") UNDERSIZE (SET OF (2) R57125) (SUB AR97654)
11	AR68416	BEARING	4	.76 MM (.030") UNDERSIZE (SET OF (2) R57126) (SUB AR97655)
12	RE500024	CYLINDER LINER	4	
13	BUSHING	4	
14	RE63913	KIT	4	



TP2835

Thank you so much for reading.
Please click the “Buy Now!”
button below to download the
complete manual.



After you pay.

You can download the most
perfect and complete manual in
the world immediately.

Our support email:

ebooklibonline@outlook.com