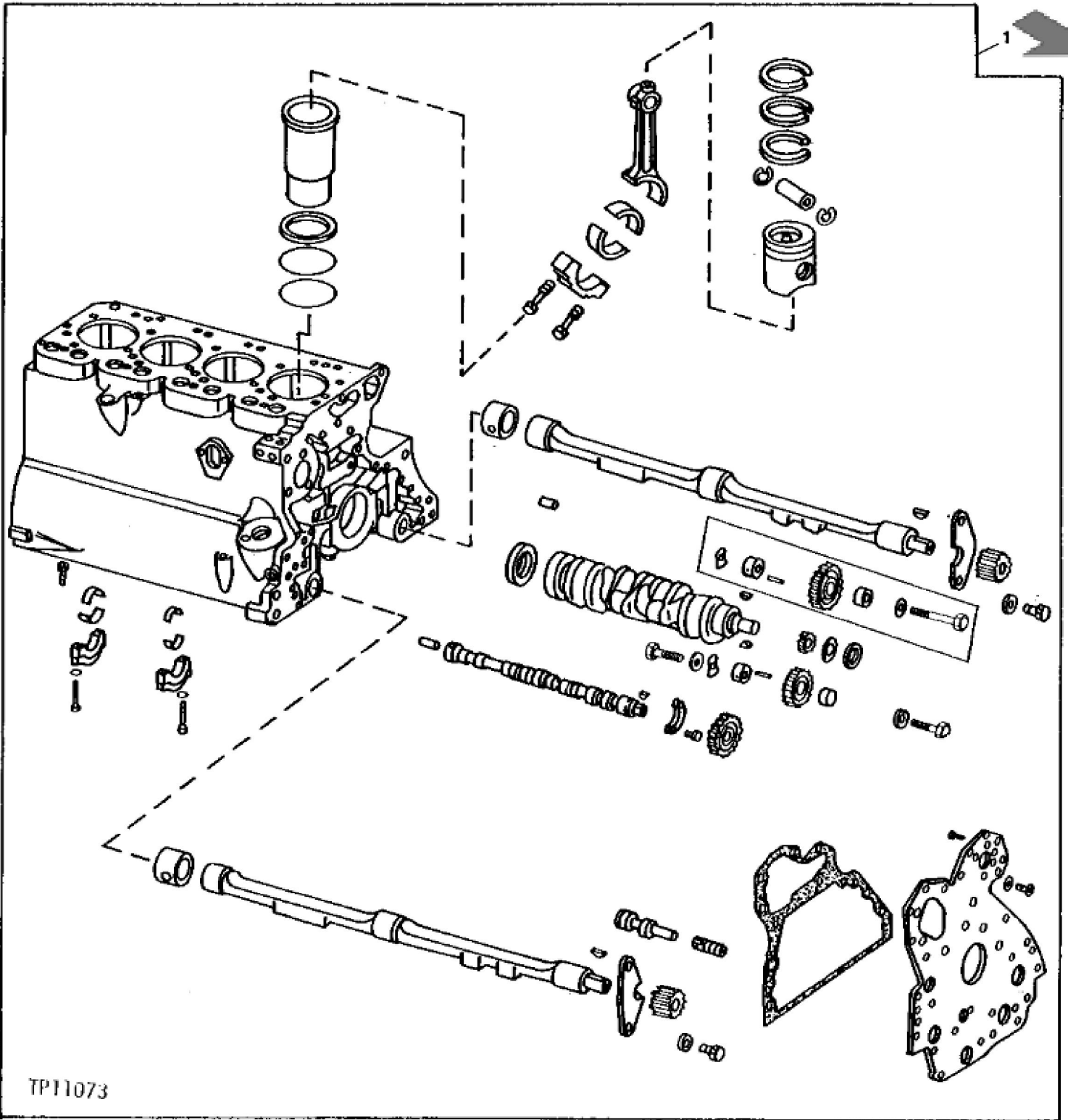
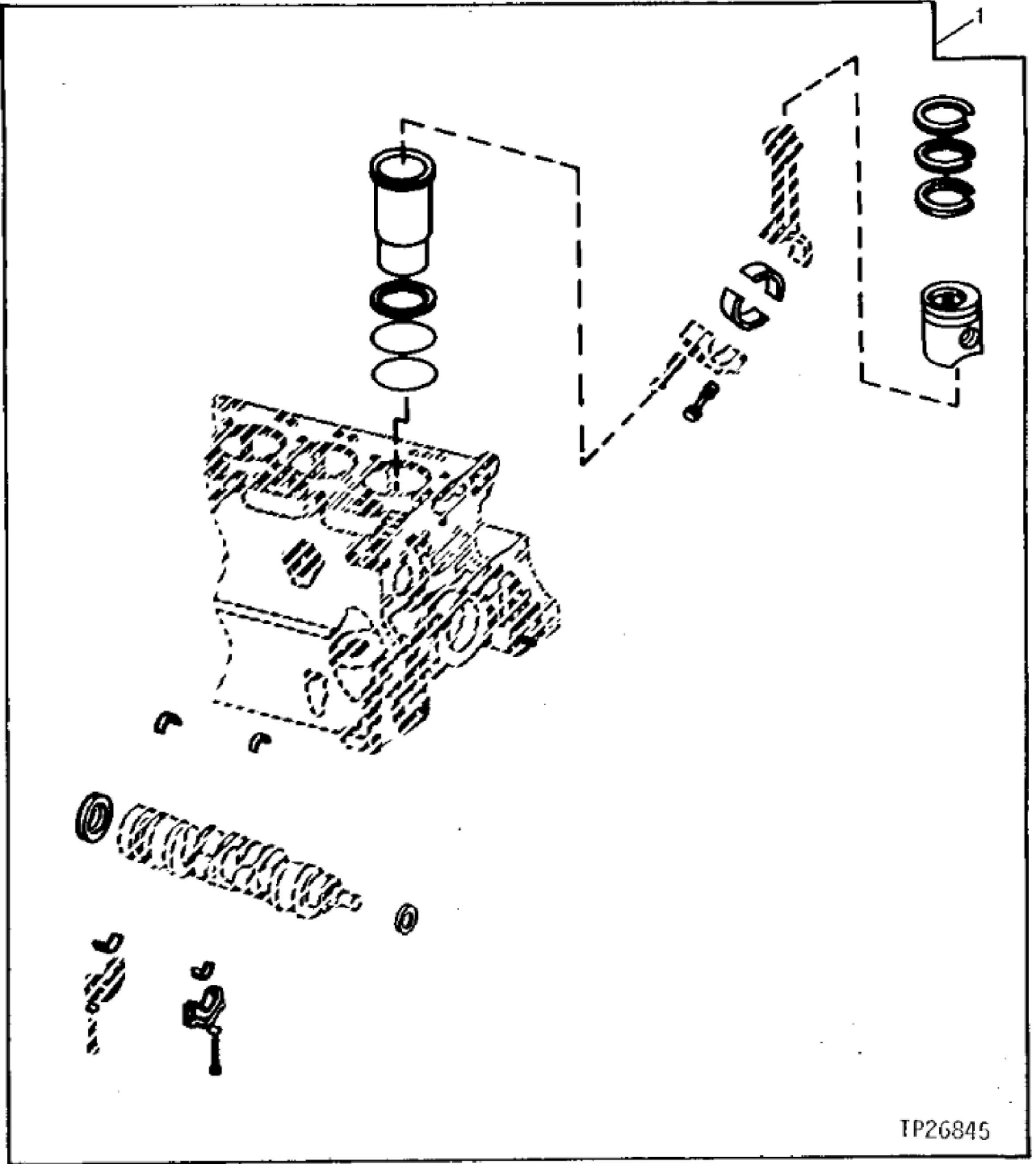


TP15008

KEY	PART NO.	PART NAME	QTY	REMARKS
1	R48685	DOWEL PIN	2	
2	15H690	PIPE PLUG	AR	3/4"
2	15H562	PIPE PLUG	AR	1"
3	R48685	DOWEL PIN	2	(SUB FOR R26241, THIS APPLICATION)
4A	AT13740	DRAIN VALVE	1	(WITHOUT ENGINE COOLANT HEATER) (SUB R55233, THIS APPLICATION)
4B	R55233	PIPE PLUG	1	
5	15H275	PIPE PLUG	AR	1/4", (WITHOUT ENGINE COOLANT HEATER)
6	R122226	STUD	2	(SUB FOR R122226)
6	T25701	STUD	1	
7	15H558	PIPE PLUG	5	1/8", (SUB FOR RE12310)
8	R57160	BUSHING	6	
9	T18891	CAP	2	
10	R26493	BUSHING	1	
11	R26650	DOWEL PIN	2	
12	15H666	PIPE PLUG	1	3/8"
13	R65215	BEARING CAP	4	(SUB FOR AR82294)
14	T20168	WASHER	10	
15	T23474	CAP SCREW	10	
16	R79089	CAP	1	(SUB FOR AR82295)
17	T23435	THREADED NIPPLE	1	
18	R54802	ORIFICE	4	(WITH TURBOCHARGER)
18	22H932	SET SCREW	4	5/16" X 3/8", (WITHOUT TURBOCHARGER)
19	R75892	O-RING	1	(OIL PUMP TUBE)
20	15H562	PIPE PLUG	1	1", (WITHOUT TURBOCHARGER)
21	U13639	O-RING	1	(WITHOUT ENGINE COOLANT HEATER)
22	R39741	DRAIN PLUG	1	(WITHOUT ENGINE COOLANT HEATER)
23	RE61639	CYLINDER BLOCK	1	(MARKED R122820) (ALSO ORDER R111135 AND R111137)

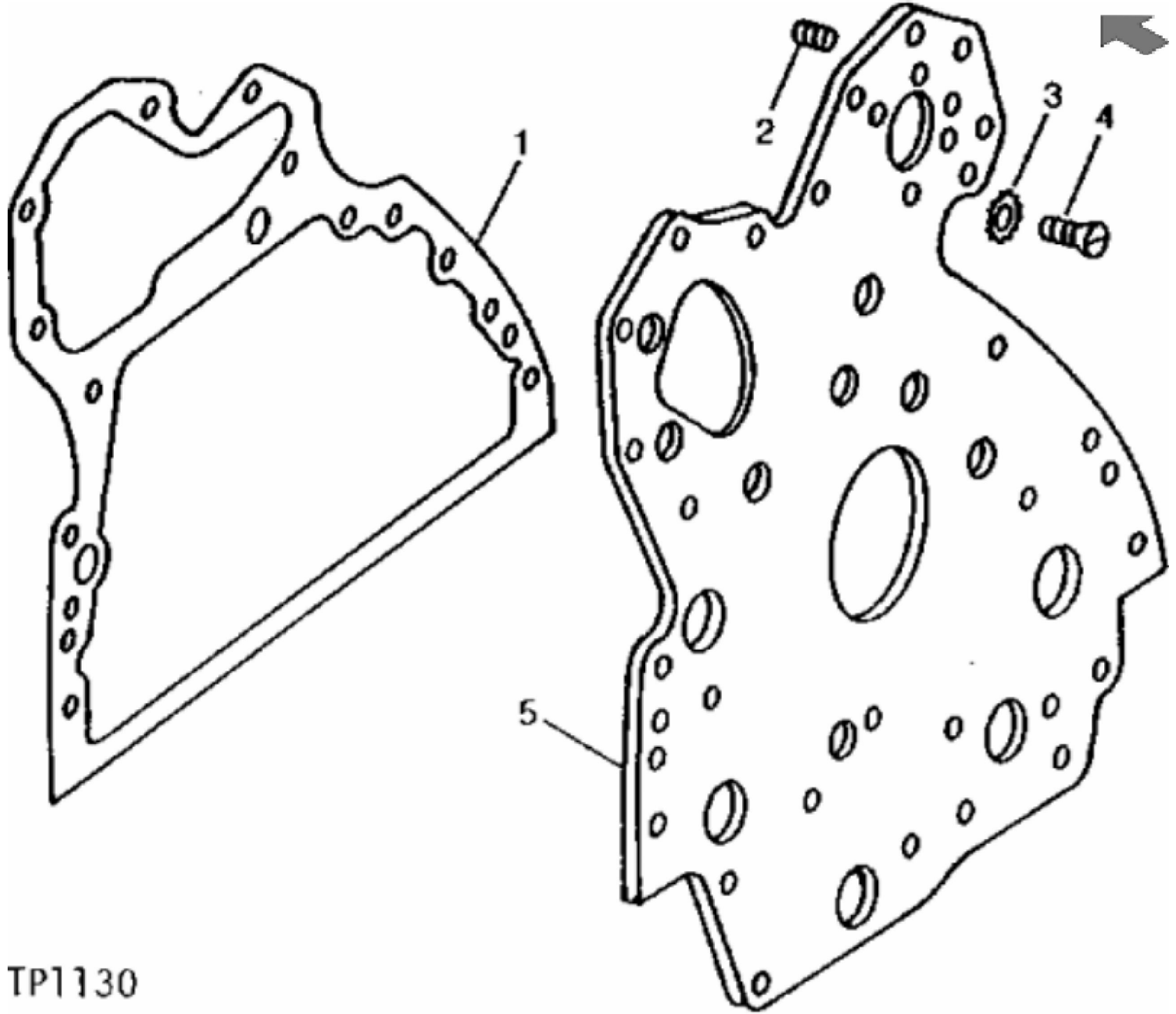


KEY	PART NO.	PART NAME	QTY	REMARKS	
1	RE19855	SHORT BLOCK ASSEMBLY	1	(MARKED R122820) (SUB FOR AR97101)	



TP26845

KEY	PART NO.	PART NAME	QTY	REMARKS	
1	.....	ENGINE OVERHAUL KIT	1	BASIC ENGINE OVERHAUL KIT (WITH STANDARD PISTONS) (ALSO INCLUDES ENGINE OVERHAUL GASKET KIT) (ORDER ONE KIT PER ENGINE) ( AT86984 NO LONGER AVAILABLE) (SUB FOR AT86985) (SUB RE61610)	
1	RE61610	ENGINE OVERHAUL KIT	1	BASIC ENGINE OVERHAUL KIT (WITH STANDARD PISTONS) (ALSO INCLUDES ENGINE OVERHAUL GASKET KIT) (ORDER ONE KIT PER ENGINE) (INCLUDES (8) M41029)	



TP1130

Thank you so much for reading.  
Please click the “Buy Now!”  
button below to download the  
complete manual.



After you pay.

You can download the most  
perfect and complete manual in  
the world immediately.

Our support email:

[ebooklibonline@outlook.com](mailto:ebooklibonline@outlook.com)