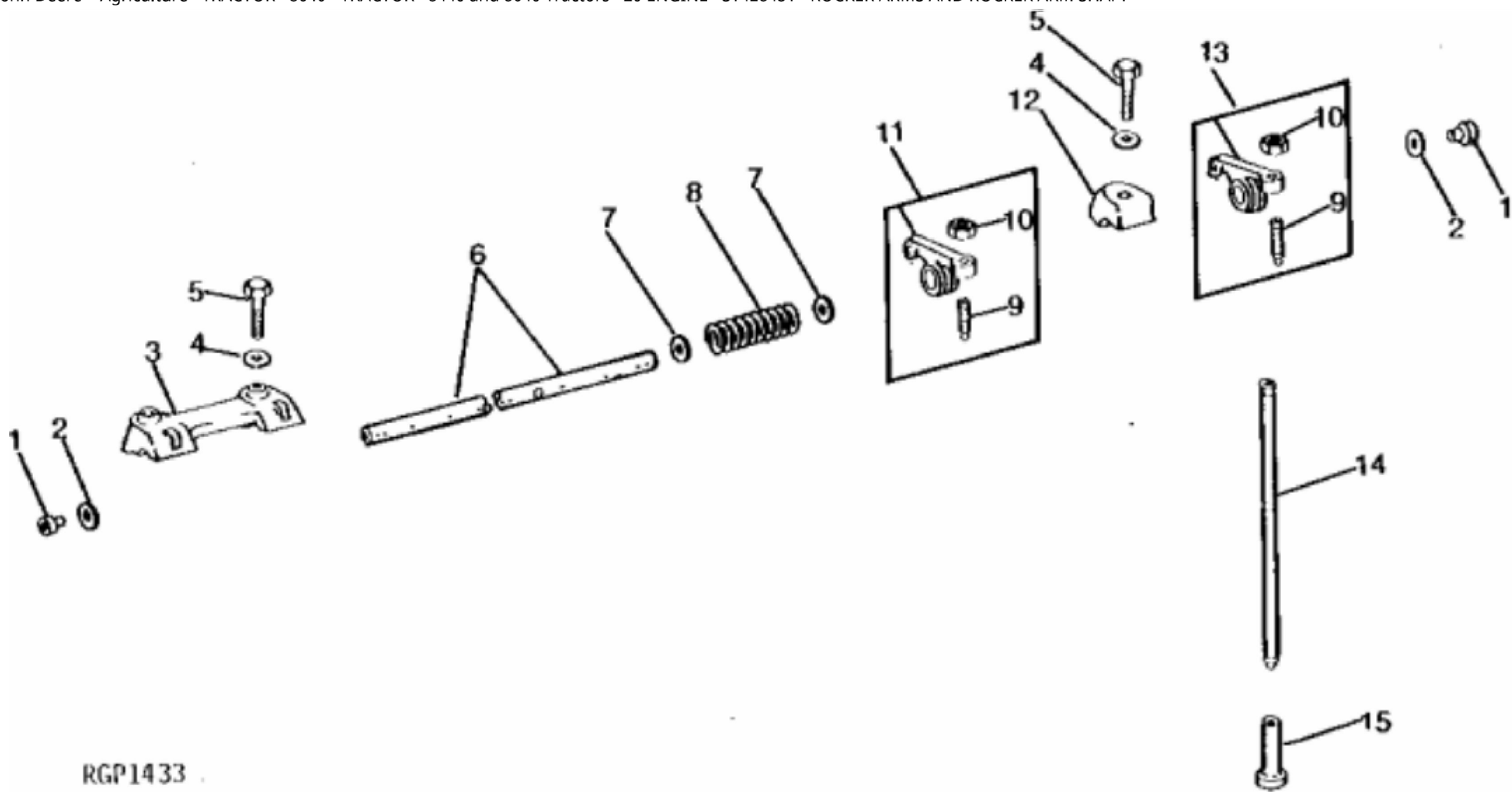
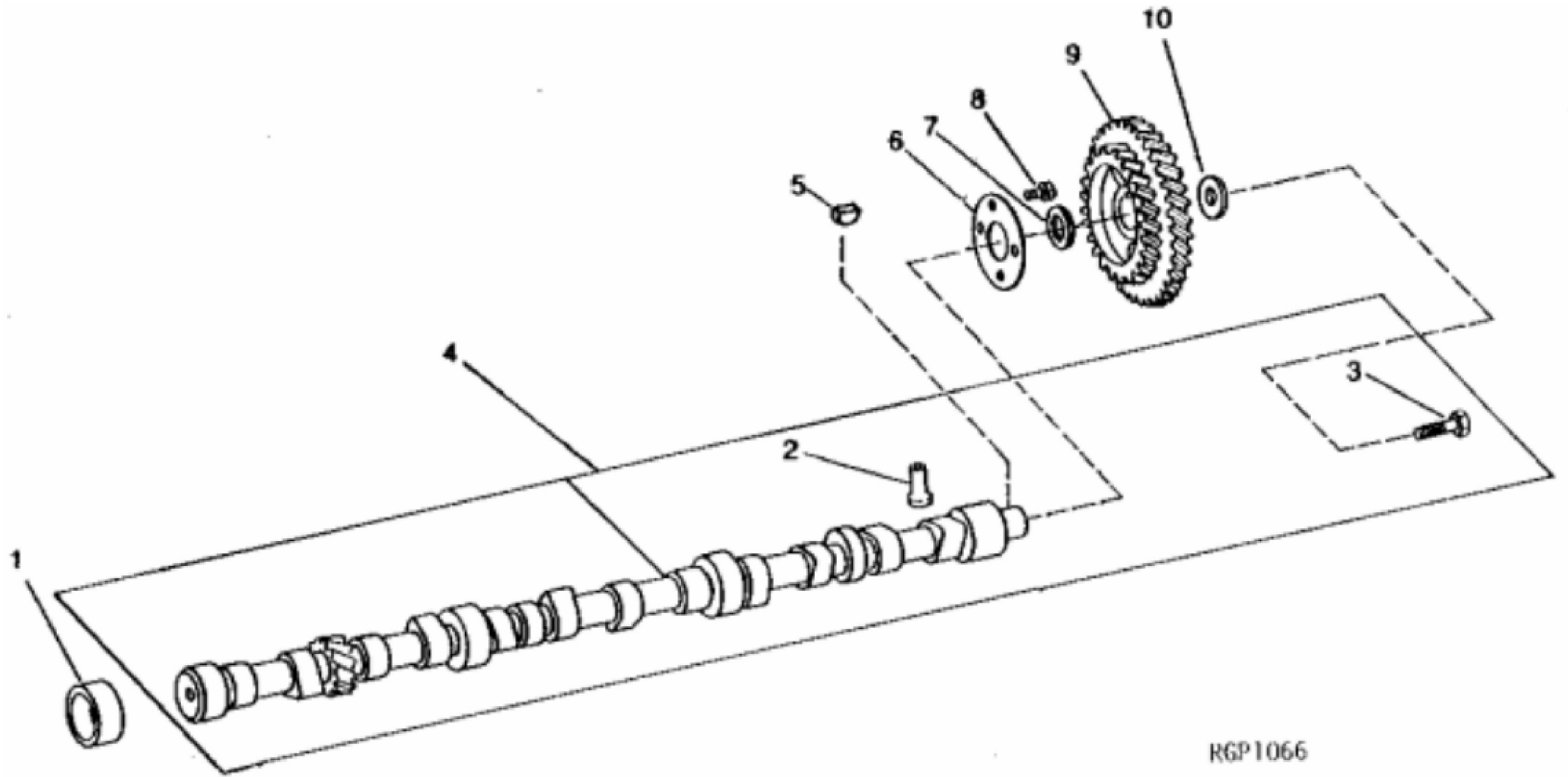


KEY	PART NO.	PART NAME	QTY	8640	REMARKS	
1	R49691	ISOLATOR	1	X		
2	R49692	FILTER ELEMENT	1	X		
3	R49690	DEFLECTOR	1	X		
4	R49492	GASKET	1	X		
5	AR53544	COVER	1	X		
6	12H303	LOCK WASHER	4	X	5/16"	
7	19H1813	CAP SCREW	4	X	5/16" X 5/8"	
8	R495R	O-RING	1	X		
9	R59797	TUBE	1	X		
10	AR103811	SCREW WITH WASHER	9	X	(SUB FOR AR45530)	
11	AR53537	COVER	1	X		
12	R74365	GASKET	1	X	(SUB FOR R36652 OR R49867)	



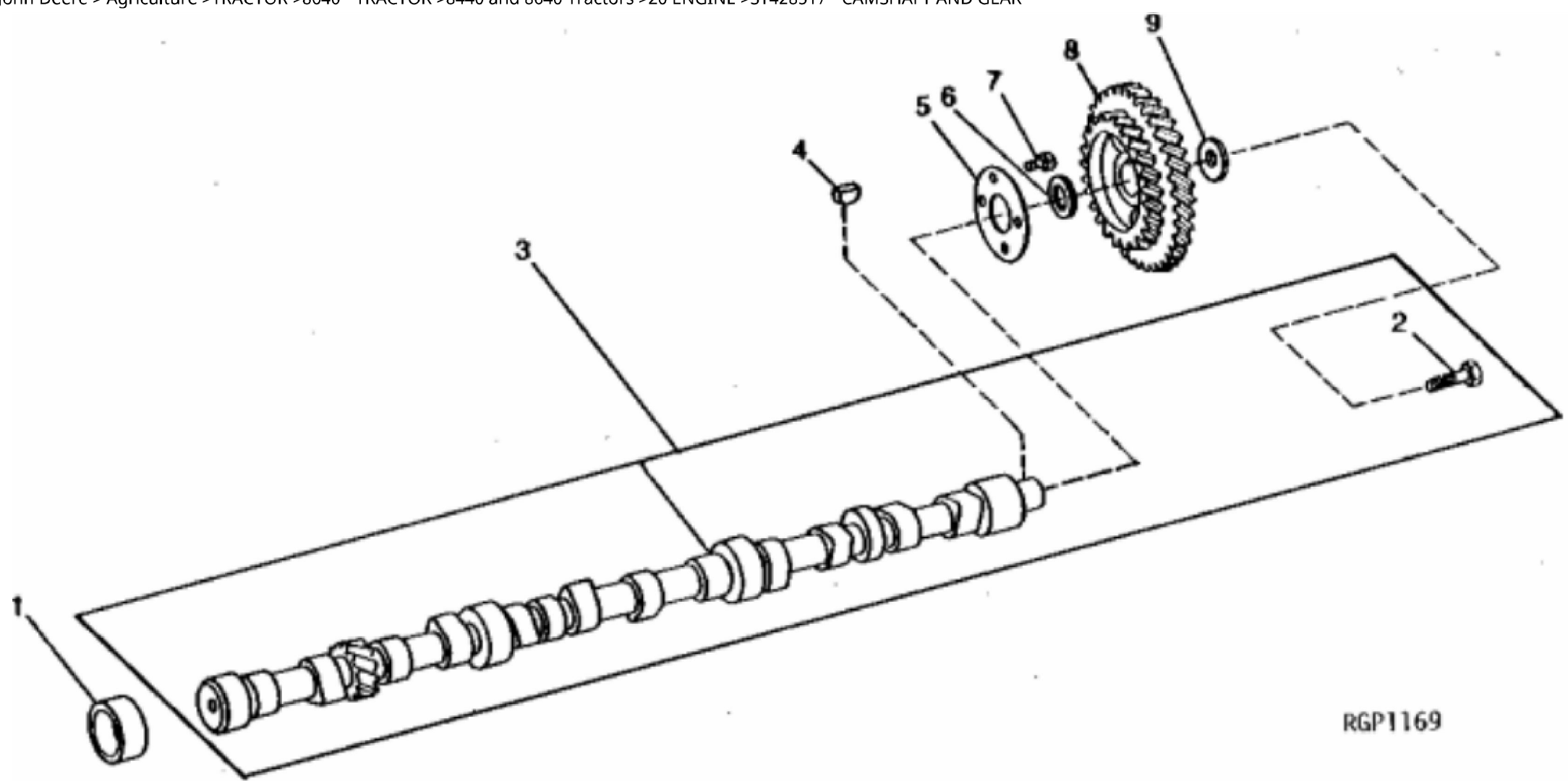
RGP1433

KEY	PART NO.	PART NAME	QTY	Engine Serial No.	8440	REMARKS	
1	R54565	PLUG	2		X		
2	R26081	WASHER	2		X		
3	R136083	CLAMP	2	073297-____	X	(SUB FOR R65553)	
4	R26559	WASHER	6		X		
5	19H1740	CAP SCREW	6		X	7/16" X 1-3/4"	
6	R70826	ROCKER ARM SHAFT	1		X	(SUB FOR R54564 OR R60650)	
7	R71208	WASHER	10		X	19.500 X 26 X 0.910 mm (0.768" X 1.024" X 0.036")	
8	R26079	SPRING	5		X		
9	R27443	SET SCREW	12		X		
10	14H1080	NUT	12		X	3/8"	
11	AR54905	ROCKER ARM	6		X	(E - (EXHAUST VALVE) I - (INTAKE VALVE)) (1I, 2E, 3I, 4E, 5I, 6E) (LH)	
12	R26748	CLAMP	6	____-073296	X		
12	R26748	CLAMP	2	073297-____	X		
13	AR54904	ROCKER ARM	6		X	(E - (EXHAUST VALVE) I - (INTAKE VALVE)) (1E, 2I, 3E, 4I, 5E, 6I) (RH)	
14	AR40680	PUSH ROD	12	____-320189	X	(SUB R85027)	
14	R85027	PUSH ROD	12	320190-____	X		
15	R52773	CAM FOLLOWER	12		X		



RGP1066

KEY	PART NO.	PART NAME	QTY	Engine Serial No.	8440	REMARKS	
1	R46903	BUSHING	4		X		
2	R52773	CAM FOLLOWER	12		X		
3	19H1721	CAP SCREW	1	____-001123	X	1/2" X 1-1/2"	
3	19H1777	CAP SCREW	1	001124-____	X	1/2" X 1-3/4", (USE WITH R64086 OR R65565)	
3	R93238	SCREW	1		X	12.700 X 50.800 mm (1/2" X 2"), (USE WITH R71530, R71531, R71529 OR R77259) (SUB FOR 19H1831, OR R79850, THIS APPLICATION)	
4	AR74144	CAMSHAFT	1	____-XXXXXX	X	(MARKED R59420, R61150 OR R71531) (SUB AR100385, APPL) (SUB FOR AR71709)	
4	AR100385	CAM KIT	1	XXXXXX-____	X	(MARKED R64086, R71529, R77259 OR R78316) (SUB FOR AR79610)	
4	SE501617	CAMSHAFT REMAN	1			REMAN FOR AR100385	
5	26H72	SHAFT KEY	1		X	1/8" X 5/8"	
6	R42355	THRUST WASHER	1		X		
7	R42356	WASHER	1		X		
8	19H1813	CAP SCREW	1		X	5/16" X 5/8"	
9	AR87700	GEAR	1		X	(SUB FOR AR71243, AR74292 OR AR87699) (MARKED R67381 OR R67382)	
10	R35256	WASHER	1		X		



RGP1169

Thank you so much for reading.  
Please click the “Buy Now!”  
button below to download the  
complete manual.



After you pay.

You can download the most  
perfect and complete manual in  
the world immediately.

Our support email:

[ebooklibonline@outlook.com](mailto:ebooklibonline@outlook.com)