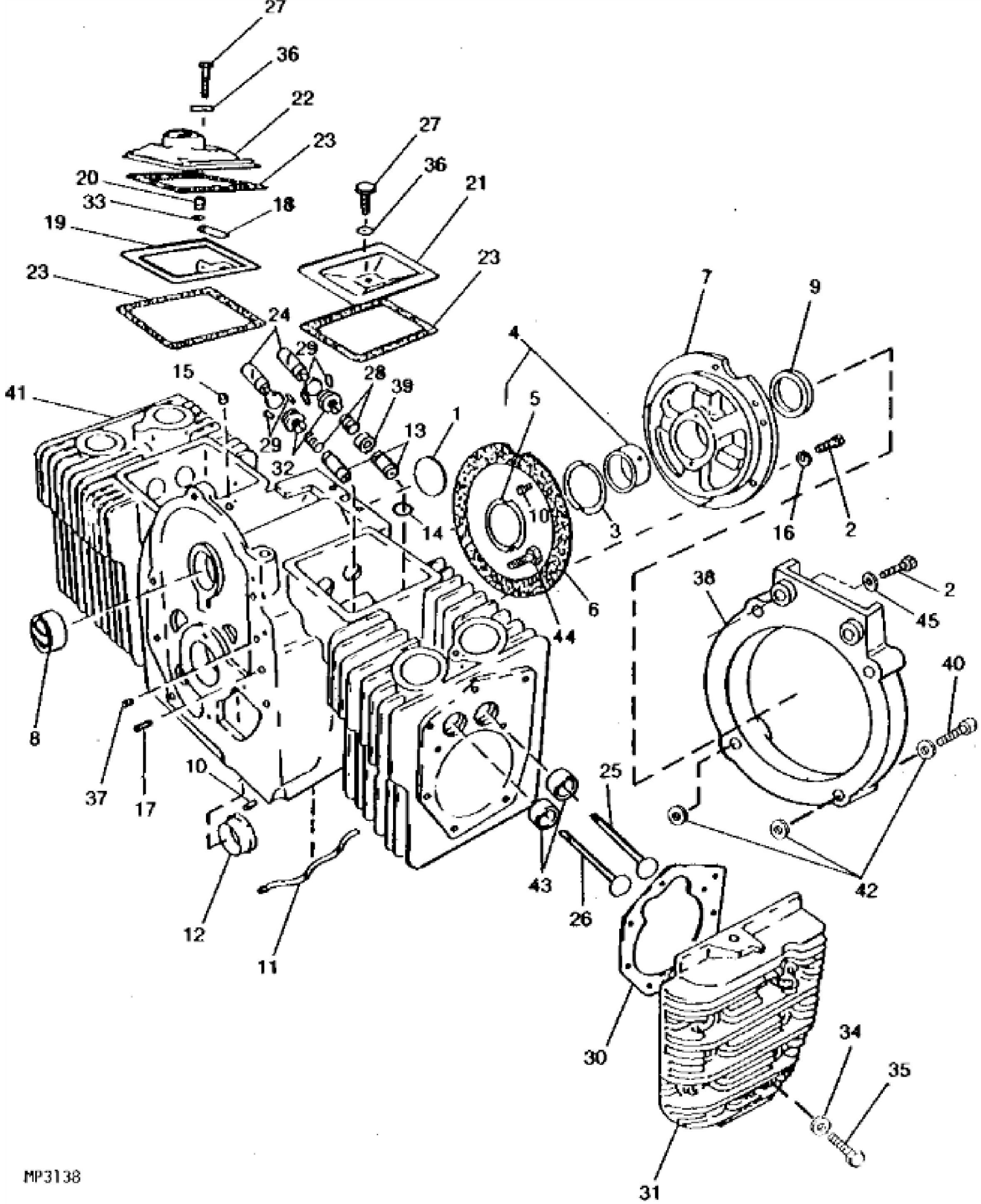


MP2229

John Deere > Turf And Utility >TRACTOR, LAWN AND GARDEN >318 - TRACTOR, LAWN AND GARDEN >318 Lawn and Garden Tractor >20 ENGINE (ONAN MODEL B43G) AM102579 >ST552380 - CRANKSHAFT (ONAN MN B43G) (222001 - 420000)

KEY	PART NO.	PART NAME	QTY	REMARKS
1	HE104-0170	SCREW	1	
2	12H293	LOCK WASHER	1	7/16"
3	24H1329	WASHER	1	15/32" X 1-1/4" X 1/4"
4	HE134-3847	VENTURI	1	(SUB FOR HE134-4251)
5	HE134-4641	FLYWHEEL	1	(NLA) (INCLUDES RING GEAR AND ROTOR) (SUB FOR HE134-3938)
6	U11030	SNAP RING	1	(SUB FOR HE518-0014)
7	HE104-0043	WASHER	1	
8	HE104-0032	GEAR	1	
9	SHAFT KEY	1	PTO CLUTCH (CUT FROM 1' H64376) (SUB FOR M84986)
10	HE104-1441	CRANKSHAFT	1	(PTO END IS 2 5/8" LONG) (SUB HE104-1699 CRANKSHAFT KIT)
11	26H70	SHAFT KEY	1	1/8" X 1/2"
12	26H11	SHAFT KEY	1	3/16" X 5/8", FLYWHEEL (SUB FOR HE515-0227)
13	19H1227	CAP SCREW	5	1/4" X 1/2"



John Deere > Turf And Utility >TRACTOR, LAWN AND GARDEN >318 - TRACTOR, LAWN AND GARDEN >318 Lawn and Garden Tractor >20 ENGINE (ONAN MODEL B43G) AM102579 >ST552381 - CYLINDER BLOCK (ONAN MN B43G) (222001 - 420000)

KEY	PART NO.	PART NAME	QTY	REMARKS
1	HE517-0048	PLUG	1	
2	19H1732	CAP SCREW	7	3/8" X 1-1/4", (2 ON MUFFLER) (5 ON PLATE)
3	HE104-0776	SHIM	AR	
4	HE101-0804	BEARING KIT	1	STD (FRONT) (SUB FOR HE101-0450)
4	HE10241	BEARING	1	.002" US, NLA
4	HE10242	BEARING	1	.010" US, NLA
4	HE10243	BEARING	1	.020" US, NLA
4	HE10244	BEARING	1	.030" US
5	HE104-0575	THRUST WASHER	2	
6	HE101-0809	GASKET	1	BEARING PLATE, (SUB FOR HE101-0415, HE101-0773 AND HE101-0782)
7	HE101-0439	PLATE	1	REAR BEARING
8	HE101-0405	BEARING	2	
9	HE509-0041	SEAL	1	
10	HE516-0072	PIN FASTENER	4	
11	HE120-0735	TUBE	1	
12	HE101-0432	BEARING	1	STD (REAR)
12	HE10245	BEARING	1	.002" US, (NLA)
12	HE10246	BEARING	1	.010" US
12	HE10247	BEARING	1	.020" US
12	HE10248	BEARING	1	.030" US
13	HE110-3161	GUIDE	2	INTAKE VALVE (ALSO ORDER HE110-3136) (SUB FOR HE110-3159)
13	HE110-1935	GUIDE	2	EXHAUST VALVE
14	HE110-3136	GASKET	2	INTAKE VALVE GUIDE
15	HE517-0120	PLUG	1	
16	12H304	LOCK WASHER	5	3/8"
17	HE516-0141	SPRING PIN	2	
18	HE123-1175	TUBE	1	
19	AM148495	DEFLECTOR	1	SUB FOR HE123-1173
20	HE123-1174	SPRING	1	
21	HE110-1879	VALVE COVER	1	
22	HE110-2274	VALVE COVER	1	
23	HE110-1921	GASKET	3	VALVE COVER

KEY	PART NO.	PART NAME	QTY	REMARKS
24	HE115-0006	TAPPET	4	STD
24	AM39508	TAPPET	4	.002" OS
24	HE10344	TAPPET	4	.005" OS
25	HE110-2368	INTAKE VALVE	2	
26	HE110-1955	EXHAUST VALVE	2	
27	19H2102	CAP SCREW	2	1/4" X 1-3/4"
28	SPRING	4	(ORDER AM118301)
29	HE110-0639	LOCK	8	NLA
30	HE110-3181	ENGINE CYLINDER HEAD GASKET	2	CYLINDER HEAD
31	HE110-3509	CYLINDER HEAD	1	RH, (SUB FOR HE110-3214)
31	HE110-3508	CYLINDER HEAD	1	LH, (SUB FOR HE110-3213)
32	ROTATOR	4	(ORDER AM118301)
33	24H1287	WASHER	1	9/32" X 5/8" X 0.065"
34	HE526-0122	WASHER	18	
35	HE800-0540	CAP SCREW	8	
35	19H3131	CAP SCREW	10	5/16" X 2", (SUB FOR HE800-0541)
36	HE526-0063	WASHER	2	
37	HE517-0067	PLUG	1	
38	HE190-0597	ADAPTER FITTING	1	NLA; CLUTCH
39	HE110-3604	SEAL	2	(SUB FOR PT7928) (OPTIONAL)
40	19H2922	SCREW	2	3/8" X 1-1/4"
41	CYLINDER BLOCK	1	(ORDER HE110-3115)
42	HE526-0066	WASHER	2	
43	HE110-1824	VALVE SEAT INSERT	2	EXHAUST
43	HE110-0197	VALVE SEAT INSERT	2	INTAKE
44	19H2038	CAP SCREW	2	3/8" X 1/2"
45	HE526-0245	WASHER	4	(USE WITH (2) 19H2922 ON BOTTOM OF CLUTCH ADAPTER AND USE WITH (2) 19H1732 ON TOP OF CLUTCH ADAPTER)
..	AM118301	SPRING KIT	1	NLA; VALVE ATTACHING (INCLUDES ROTATOR, SPRING, LOCKS AND VALVE GUIDE GASKET)

Thank you so much for reading.
Please click the “Buy Now!”
button below to download the
complete manual.



After you pay.

You can download the most
perfect and complete manual in
the world immediately.

Our support email:

ebooklibonline@outlook.com