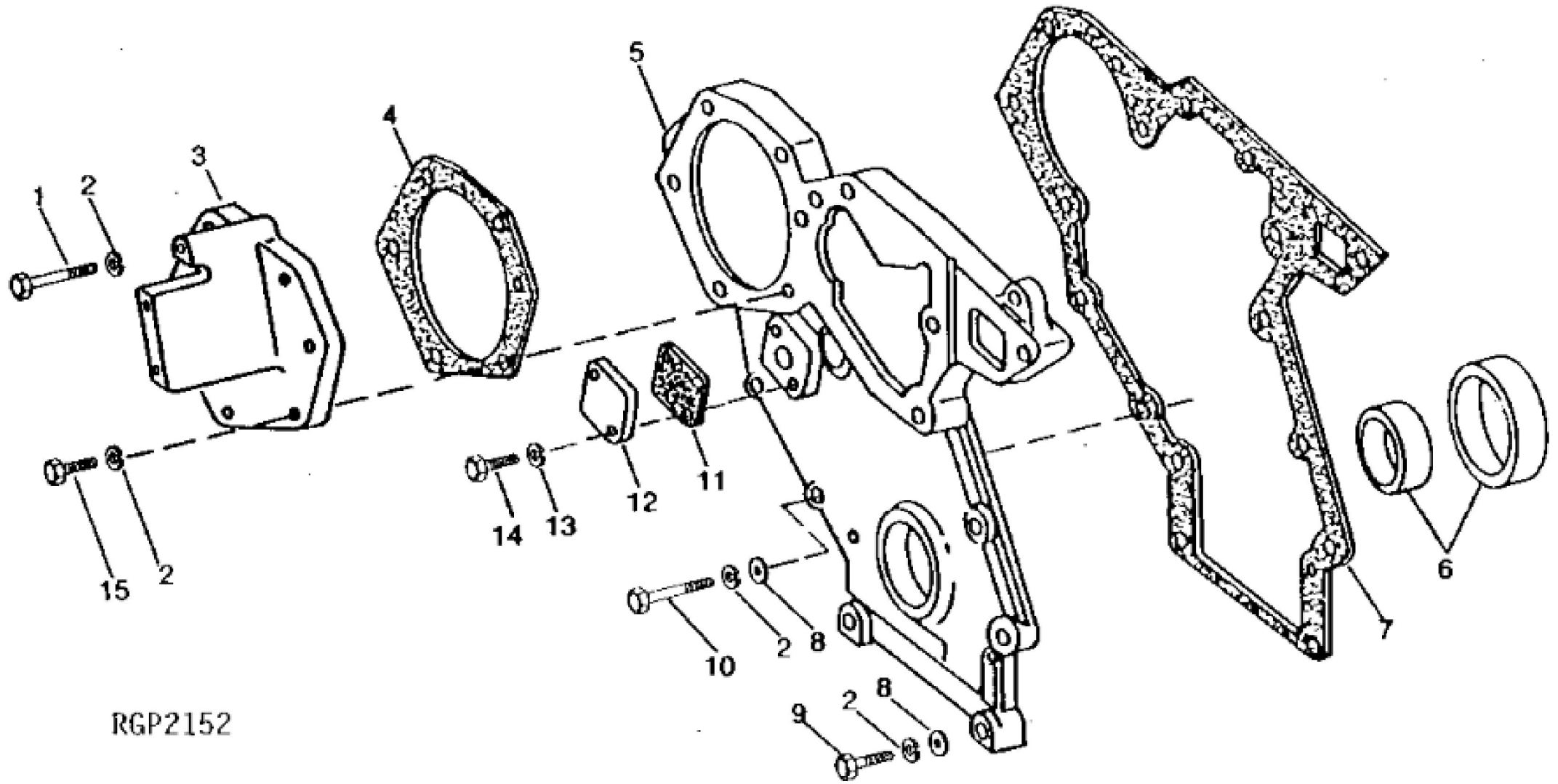


RGP2698

John Deere > Construction And Forestry > EXCAVATOR > 792 - EXCAVATOR > 790 and 792 Excavators > 4 ENGINE 4 > CAMSHAFT AND VALVE ACTUATING MEANS 0402 > 0402-3 - ROCKER ARM COVER AND ENGINE VENTILATOR OUTLET [01D10]

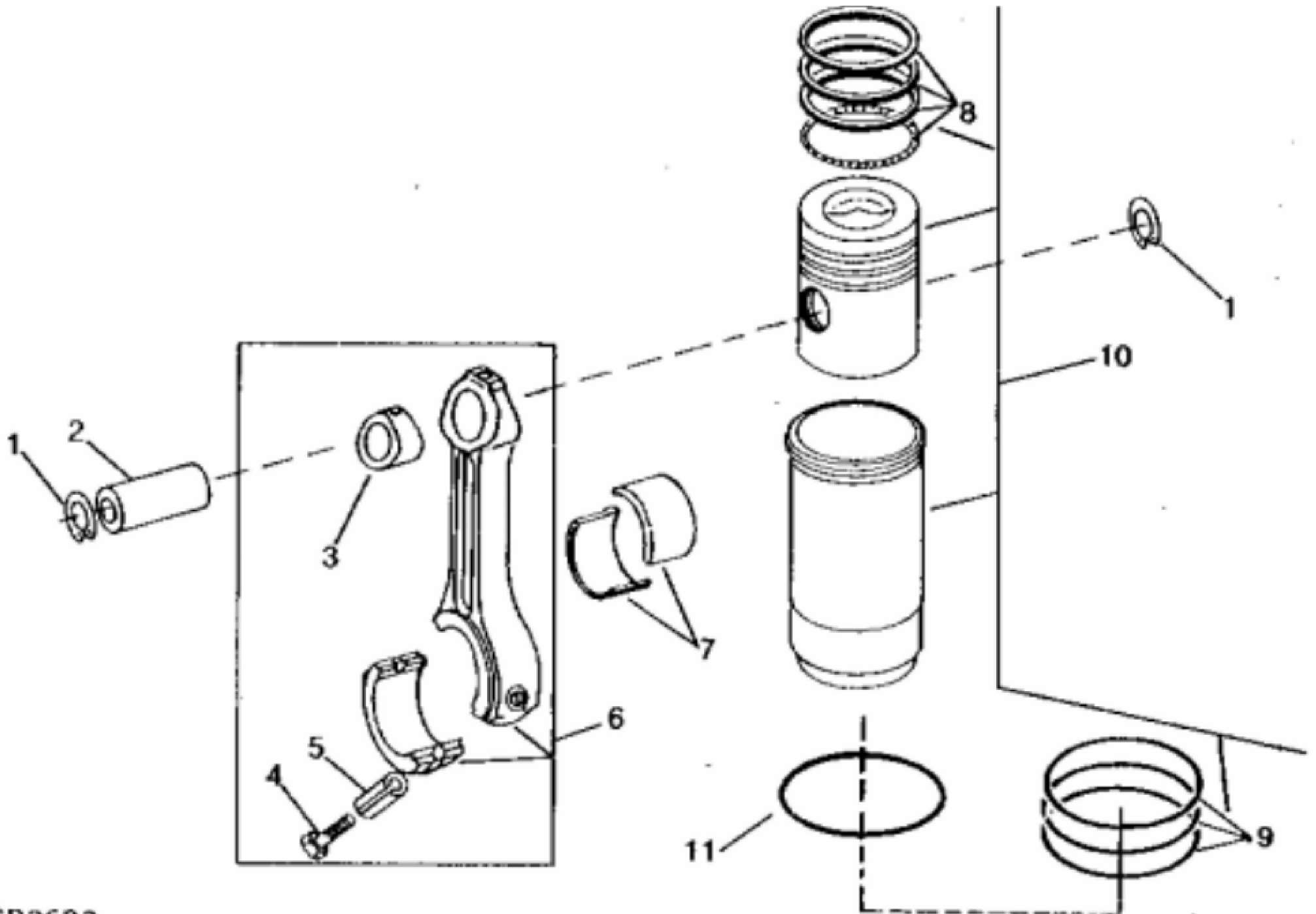
KEY	PART NO.	PART NAME	QTY	Engine Serial No.	REMARKS
1	R99793	HOSE	1		(SUB FOR R60753) (MAKE FROM TY22450)
1	TY22450	BULK HOSE	AR		(BULK)
2	AR103811	SCREW WITH WASHER	8	____-329283	1/4" X 3/4"
2	AR100124	SCREW WITH WASHER	8	329284-____	
3	TY22467	CLAMP	3		(SUB FOR AR21839)
4	T20294	CAP	1		
5	T20328	GASKET	1		
6	AR93173	COVER	1		
7	R49866	GASKET	1		
8	R50388	TUBE	1		
9	R79961	HOSE	1		(MAKE FROM TY22450)
..	TY24446	ADHESIVE	1		(SUB FOR AR31790)



RGP2152

John Deere > Construction And Forestry > EXCAVATOR > 792 - EXCAVATOR > 790 and 792 Excavators > 4 ENGINE 4 > CAMSHAFT AND VALVE ACTUATING MEANS 0402 > 0402-4 - CRANKSHAFT FRONT OIL SEAL AND TIMING GEAR COVER [01D11]

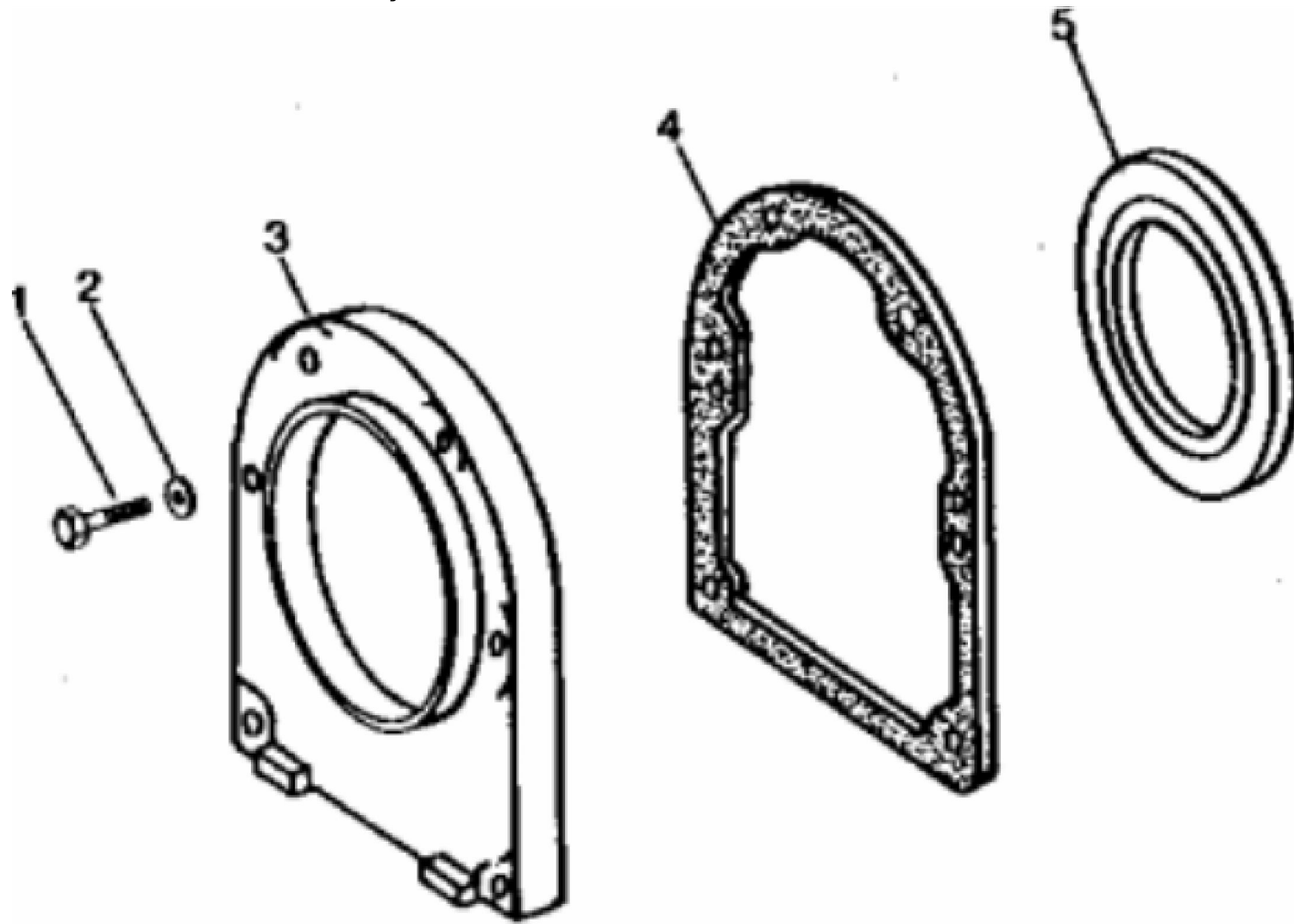
KEY	PART NO.	PART NAME	QTY	REMARKS
1	19H1921	CAP SCREW	5	5/16" X 3-1/4"
2	12H303	LOCK WASHER	6	5/16", (NO LONGER REQUIRED)
3	R79809	COVER	1	
4	R50390	GASKET	1	
5	R71316	COVER	1	
6	AR49025	SEAL	1	
7	R71314	GASKET	1	
8	24H1136	WASHER	6	11/32" X 11/16" X 0.065"
9	19H3552	CAP SCREW	4	5/16" X 1-1/2"
10	19H2713	CAP SCREW	2	5/16" X 1-7/8"
11	R67770	GASKET	1	
12	R67769	COVER	1	
13	12H302	LOCK WASHER	2	1/4"
14	19H1732	CAP SCREW	2	3/8" X 1-1/4"
15	19H1849	CAP SCREW	1	5/16" X 1-1/4"



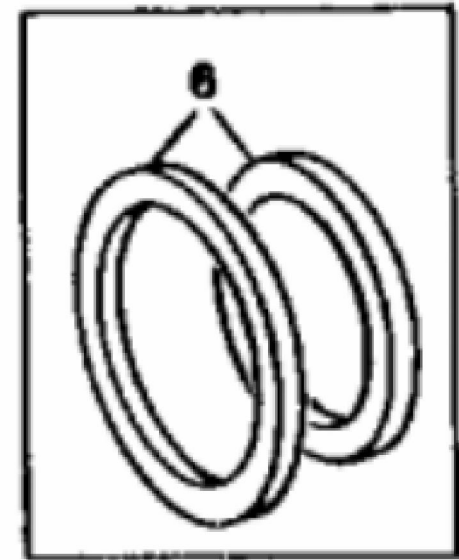
RGP3623

John Deere > Construction And Forestry > EXCAVATOR > 792 - EXCAVATOR > 790 and 792 Excavators > 4 ENGINE 4 > CONNECTING RODS AND PISTONS 0403 > 0403-1 - PISTONS, RINGS, LINERS AND CONNECTING RODS [01D12]

KEY	PART NO.	PART NAME	QTY	REMARKS
1	E1343FN	SNAP RING	12	
2	R57771	PISTON PIN	6	
3	R74008	BUSHING	6	
4	R66452	CAP SCREW	12	
5	R53292	SLEEVE	12	
6	AR93341	CONNECTING ROD	6	(SUB (6) SE500498) (MARKED R71074)
6	SE500498	CONNECTING ROD	6	(REMANUFACTURED)
7	AR73277	BEARING	AR	STD (PKG (2) R57583)
7	AR73278	BEARING	AR	0.05MM (.002") US (PKG (2) R60485)
7	AR73279	BEARING	AR	0.25MM (.010") US (PKG (2) R60486)
7	AR73280	BEARING	AR	0.51MM (.020") US (PKG (2) R60487)
7	AR73281	BEARING	AR	0.76MM (.030") US (PKG (2) R60488)
8	RE48380	PISTON RING KIT	6	(SUB FOR AR73627) (USE WITH AR98838 OR AR100616)
9	AR98850	O-RING KIT	6	
10	RE60282	PISTON-LINER KIT	6	(MARKED AR100616 OR AR98838) (SUB FOR AR100646)
11	R93948	SHIM	2	0.05MM (.002") (MAX.)
..	RE60283	ENGINE OVERHAUL KIT	1	(CONTAINS (6) RE60282 PISTON LINER KITS, GASKET KIT, STD BEARINGS, FRONT/REAR SEALS AND SNAP RINGS) (ALSO ORDER R66452 ROD BOLTS) (SUB FOR RG18847)



RGP2352



Thank you so much for reading.
Please click the “Buy Now!”
button below to download the
complete manual.



After you pay.

You can download the most
perfect and complete manual in
the world immediately.

Our support email:

ebooklibonline@outlook.com