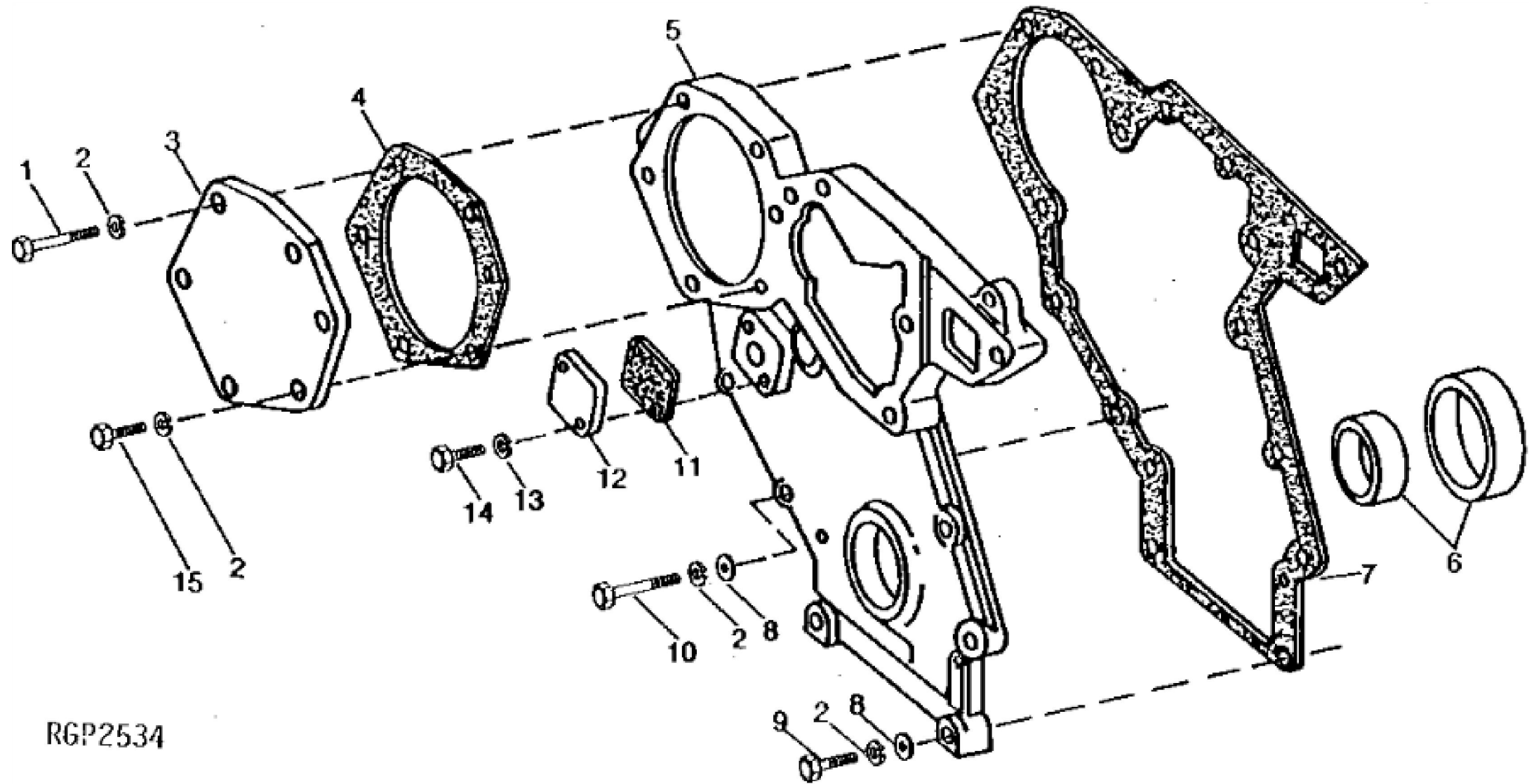


RGP2569

John Deere > Construction And Forestry > EXCAVATOR > 690C - EXCAVATOR > 690C Excavator > 4 ENGINE 4 > CAMSHAFT AND VALVE ACTUATING MEANS 0402 > 0402-3 - ENGINE VENTILATOR OUTLET AND ROCKER ARM COVER (6466) [01C23]

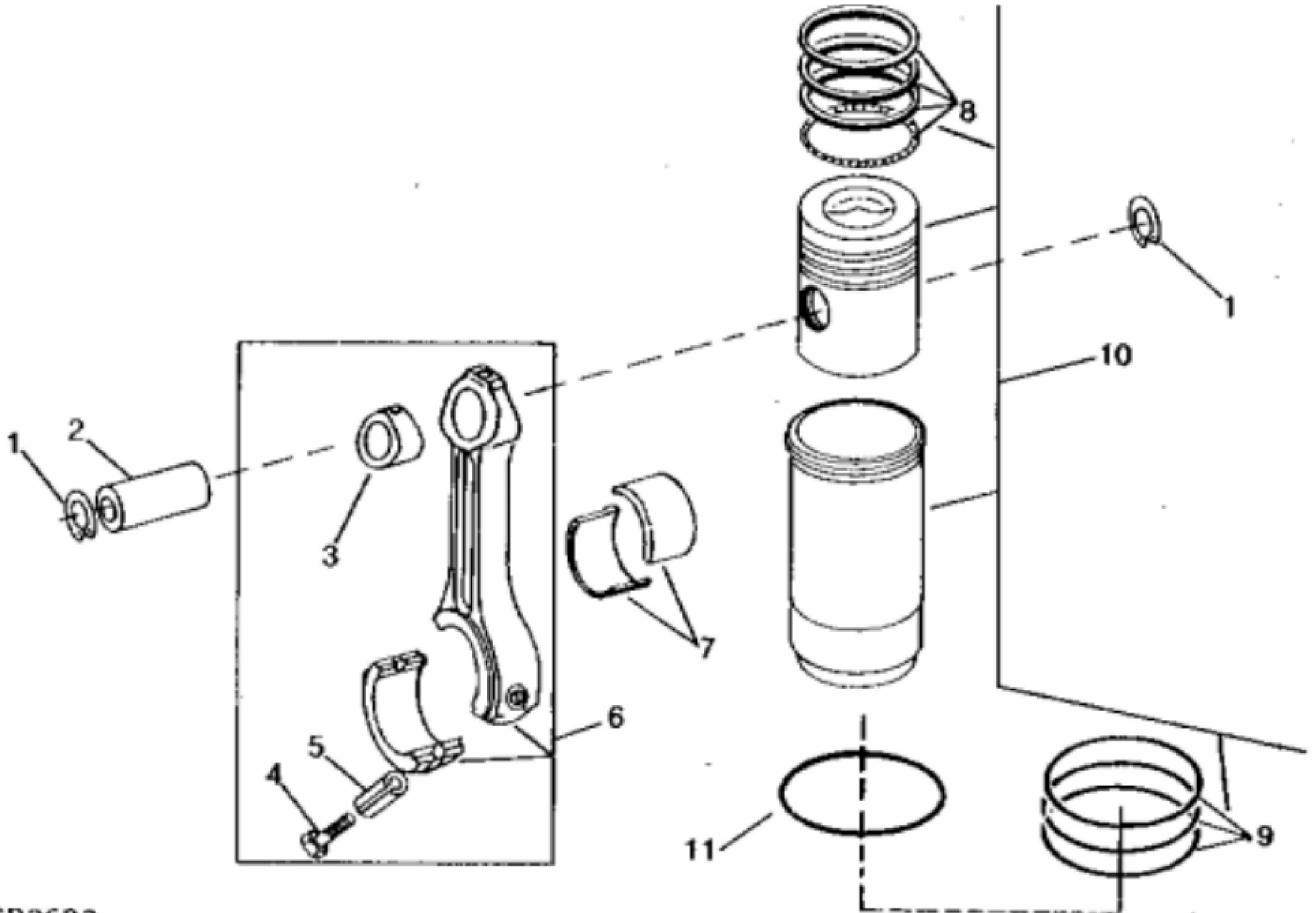
KEY	PART NO.	PART NAME	QTY	Engine Serial No.	REMARKS
1	TY22467	CLAMP	2		(SUB FOR AR21839)
2	AR103811	SCREW WITH WASHER	8	____-329283	6.350 X 19.050 MM (1/4" X 3/4") (SUB FOR AR45530)
2	AR100124	SCREW WITH WASHER	8	329284-____	
3	AR93172	COVER	1	____-345885	(SUB FOR AR73677) (SUB RE37448)
3	RE37448	COVER	1	345886-____	
4	R49866	GASKET	1		(SUB FOR R32593)
5	R50388	TUBE	1		
6	R99793	HOSE	1		19 MM X 889 MM (3/4" X 35") (SUB FOR R60753) (MAKE FROM TY22450)
6	TY22450	BULK HOSE	AR		(BULK)
..	TY24446	ADHESIVE	1		(SUB FOR AR31790)



RGP2534

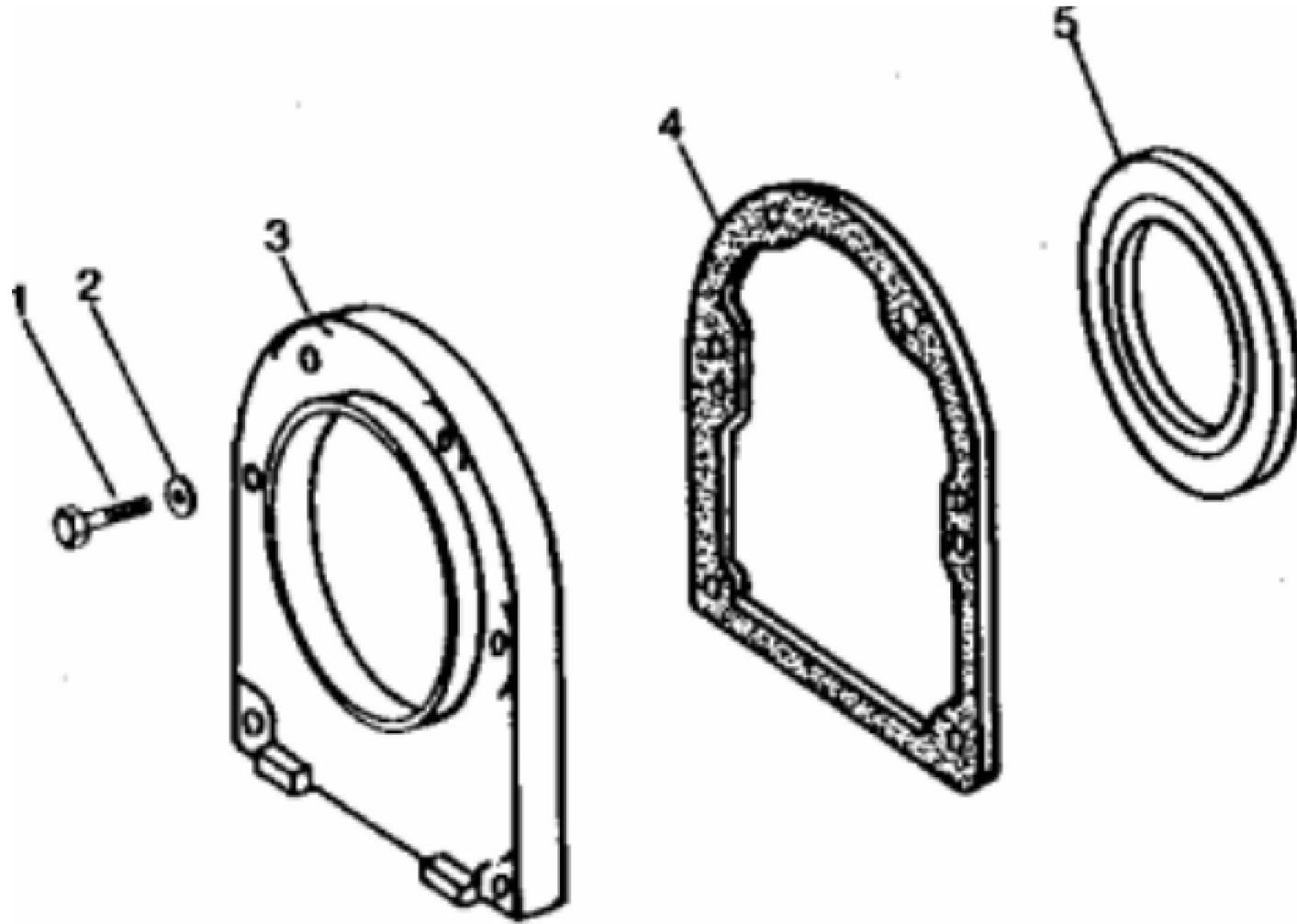
John Deere > Construction And Forestry > EXCAVATOR > 690C - EXCAVATOR > 690C Excavator > 4 ENGINE 4 > CAMSHAFT AND VALVE ACTUATING MEANS 0402 > 0402-4 - CRANKSHAFT FRONT OIL SEAL AND TIMING GEAR COVER (6466) [01C24]

KEY	PART NO.	PART NAME	QTY	REMARKS
1	R112273	SCREW	5	
2	12H303	LOCK WASHER	1	5/16", (USE WITH 19H1907)
2	12H303	LOCK WASHER	11	5/16", (NO LONGER REQUIRED)
3	R50393	COVER	1	
4	R50390	GASKET	1	
5	R71316	COVER	1	
6	AR49025	SEAL	1	
7	R71314	GASKET	1	
8	24H1136	WASHER	6	11/32" X 11/16" X 0.065"
9	19H3552	CAP SCREW	4	5/16" X 1-1/2"
10	19H2713	CAP SCREW	2	5/16" X 1-7/8"
11	R67770	GASKET	1	
12	R67769	COVER	1	
13	12H302	LOCK WASHER	2	1/4"
14	19H1948	CAP SCREW	2	1/4" X 3/4"
15	R112268	SCREW	1	

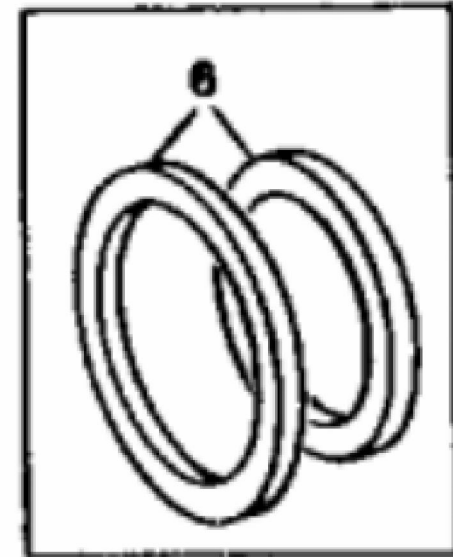


John Deere > Construction And Forestry > EXCAVATOR > 690C - EXCAVATOR > 690C Excavator > 4 ENGINE 4 > CONNECTING RODS AND PISTONS 0403 > 0403-1 - PISTONS, RINGS, LINERS AND CONNECTING RODS [01C25]

KEY	PART NO.	PART NAME	QTY	REMARKS
1	E1343FN	SNAP RING	12	
2	R57771	PISTON PIN	6	
3	R74008	BUSHING	6	
4	R66452	CAP SCREW	12	
5	R53292	SLEEVE	12	
6	AR93341	CONNECTING ROD	6	(MARKED R71074) (SUB SE500498)
6	SE500498	CONNECTING ROD	6	(REMANUFACTURED)
7	AR73277	BEARING	AR	STD (PKG (2) R57583)
7	AR73278	BEARING	AR	0.05MM (.002") US (PKG (2) R60485)
7	AR73279	BEARING	AR	0.25MM (.010") US (PKG (2) R60486)
7	AR73280	BEARING	AR	0.51MM (.020") US (PKG (2) R60487)
7	AR73281	BEARING	AR	0.76MM (.030") US (PKG (2) R60488)
8	RE48380	PISTON RING KIT	6	(SUB FOR AR73627) (USE WITH AR98838 OR AR100616)
9	AR98850	O-RING KIT	6	
10	RE60282	PISTON-LINER KIT	6	(MARKED AR100616 OR AR98838) (SUB FOR AR100646)
11	R93948	SHIM	2	0.05MM (.002") (MAX.)



RGP2352



Thank you so much for reading.
Please click the “Buy Now!”
button below to download the
complete manual.



After you pay.

You can download the most
perfect and complete manual in
the world immediately.

Our support email:

ebooklibonline@outlook.com