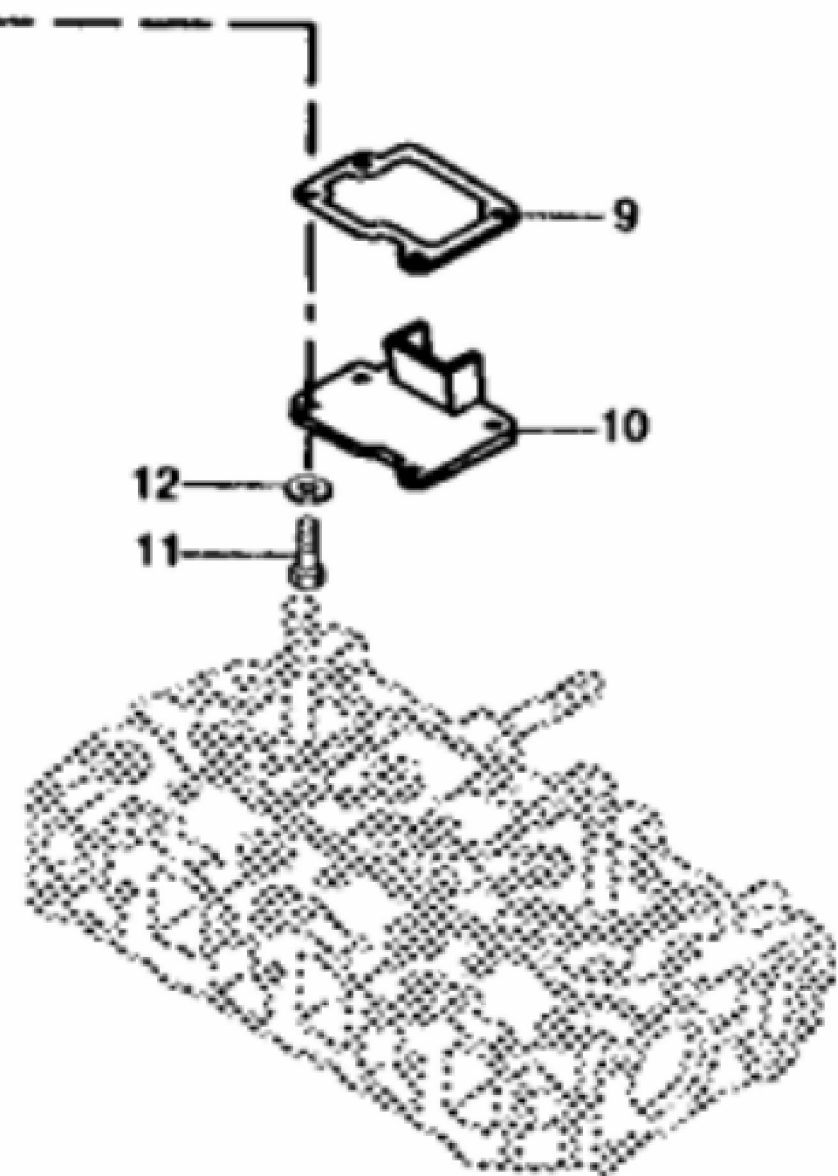
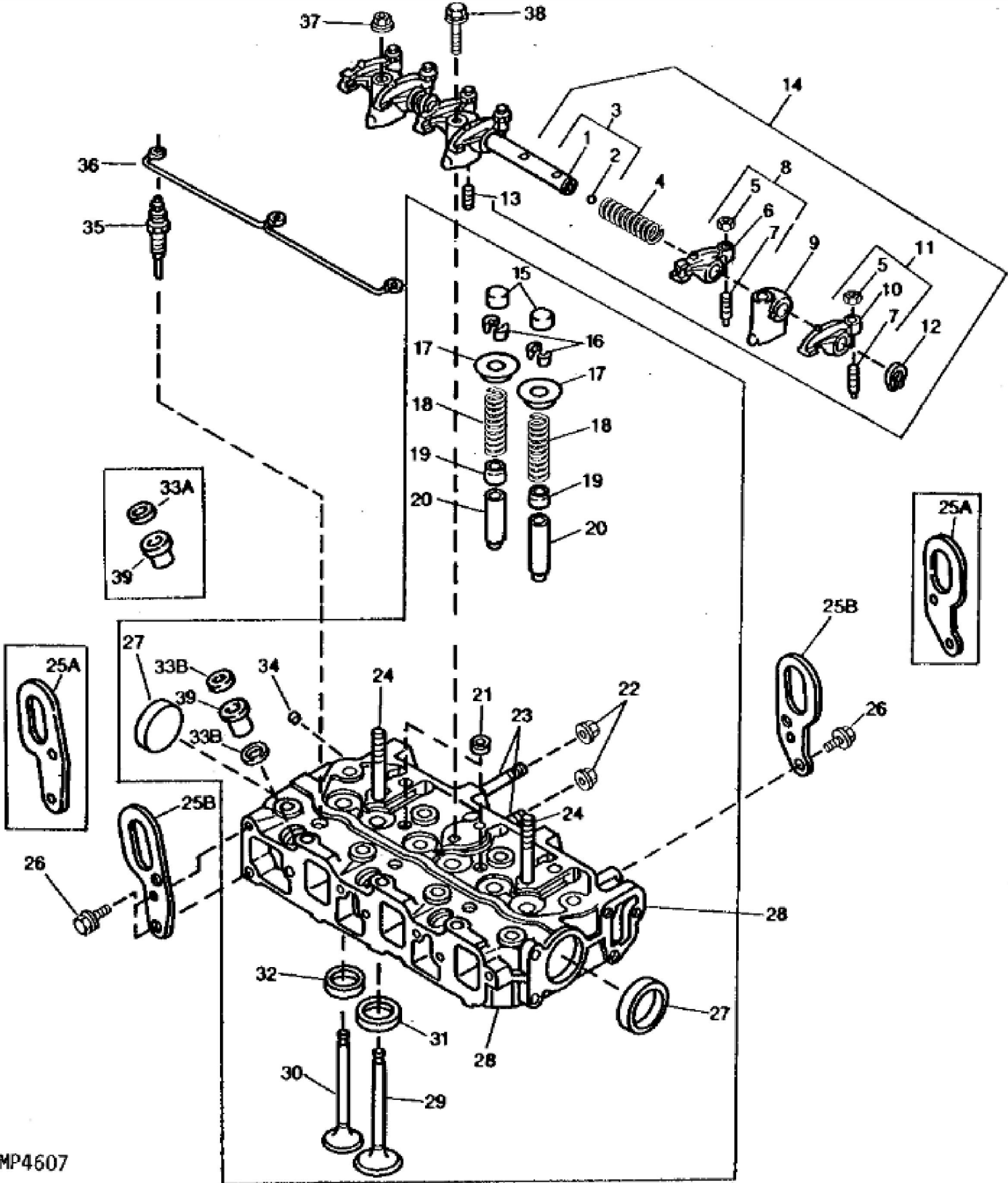


MP2446



John Deere > Turf And Utility >TRACTOR, LAWN AND GARDEN >430 - TRACTOR, LAWN AND GARDEN >430 Lawn and Garden Tractor >20 ENGINE AM101345 >ST554495 - CYLINDER HEAD COVER AND GASKETS

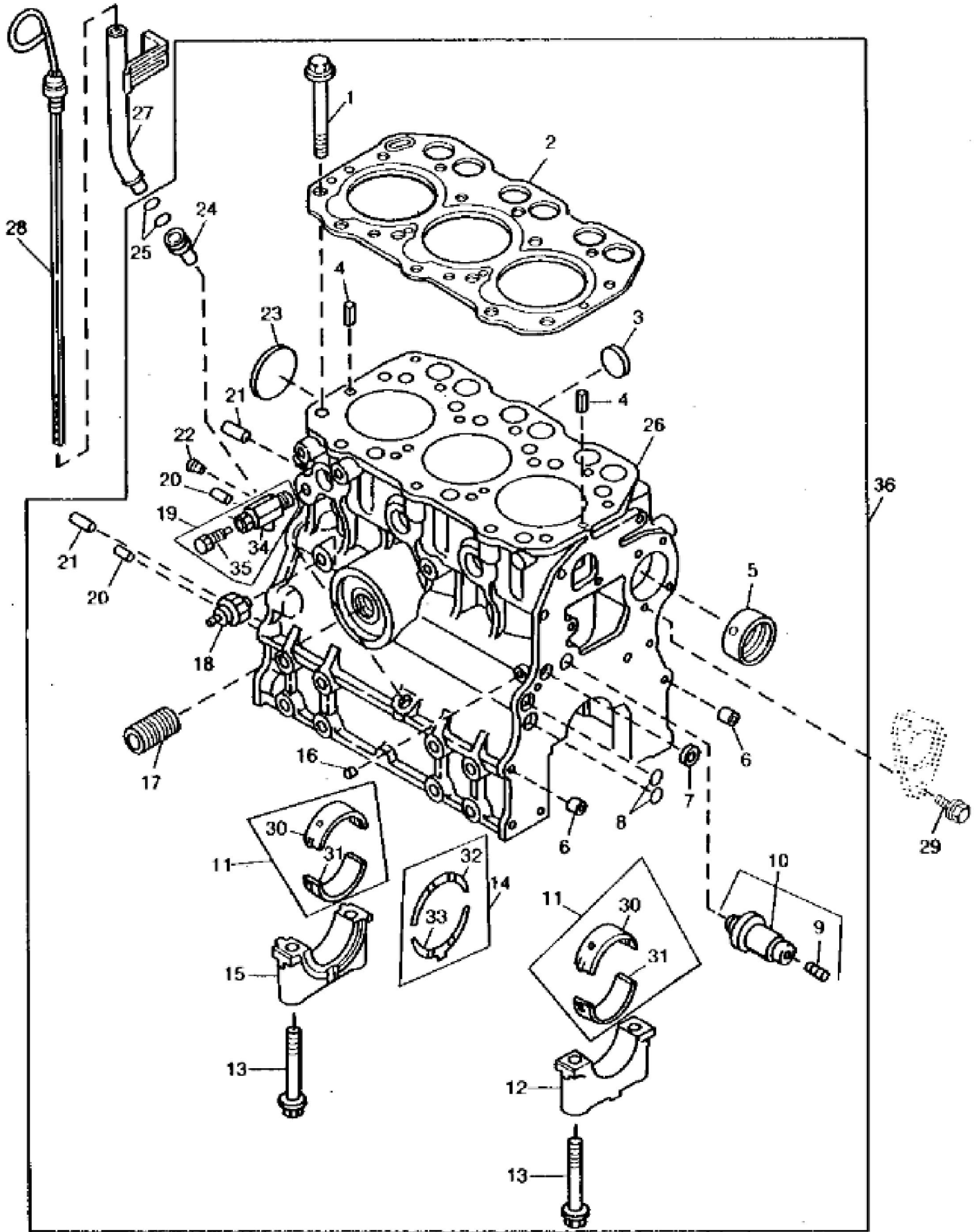
KEY	PART NO.	PART NAME	QTY	REMARKS
1	CH10061	RIVET	4	(A)
2	.....	GASKET	1	(A)
3	M805710	CAP	1	(A), (SUB FOR CH10332)
4	M805711	PACKING	1	(A)
5	CH10348	NUT	2	(SUB FOR M87882, THIS APPLICATION)
6	CH10568	PACKING	2	
7	AM100734	VALVE COVER	1	(INCLUDES PARTS MARKED (A))
8	M87854	ENGINE CYLINDER HEAD GASKET	1	CYLINDER HEAD COVER
9	M805697	GASKET	1	(A), (SUB FOR M87838) BAFFLE
10	M87837	DEFLECTOR	1	(A)
11	M807374	SCREW	4	(A)
12	12M7064	LOCK WASHER	4	5 mm, (A)
13	CH15409	PIPE	1	(A)
14	M807038	ELECTRONIC TERMINATOR	1	(A)



MP4607

KEY	PART NO.	PART NAME	QTY	Serial No.	REMARKS
1	.....	SHAFT	1		
2	400R	BALL	2		
3	AM100749	ROCKER ARM SHAFT	1		
4	M87892	SPRING	2		
5	14M7194	NUT	6		M6
6	.....	ARM	3		
7	M87841	SCREW	6		
8	AM100736	ARM	3		EXHAUST ASSY
9	M87891	SUPPORT	3		ROCKER ARM
10	.....	ARM	3		
11	AM100735	ARM	3		INTAKE ASSY
12	M87818	SNAP RING	2		
13	M87893	SCREW	1		
14	AM100748	SUPPORT	1		ROCKER ARM ASSY (NLA) (SUB COMPONENTS)
15	CH12585	CAP	6		VALVE HEAD
16	CH10054	RETAINER	6		NLA; ORDER AM100828; ONE SET
16	AM100828	RETAINER KIT	6		
17	M87835	HOLDER	6		
18	M87834	SPRING	6		VALVE
19	CH10346	SEAL	3		VALVE
20	M87863	GUIDE	6		VALVE
21	CH16747	PLUG	2		PT 1/4
22	14M7273	NUT	2	008296-_____	M8
22	12M7065	LOCK WASHER	2	008296-_____	8 mm
23	M89136	STUD	2		
24	M87836	STUD	2		
25A	M87881	BRACKET	2		(SUB M800066)
25B	MIU800461	BRACKET	2		(SUB FOR M800066)
26	CH19780	BOLT	3		(SUB FOR M88024)
27	CH16751	PLUG	2		
28	AM101398	CYLINDER HEAD	1		(ALSO INCLUDES (2) 4M7298 NUTS) (SUB FOR AM100733)
29	M87832	INTAKE VALVE	3		INTAKE
30	M87833	VALVE	3		EXHAUST
31	M87829	VALVE SEAT INSERT	3		INTAKE

KEY	PART NO.	PART NAME	QTY	Serial No.	REMARKS
32	M87830	VALVE SEAT INSERT	3		EXHAUST
33A	M87855	GASKET	3	____-004060	NLA; FI NOZZLE (BRONZE)
33B	M89135	GASKET	6	005001-____	FI NOZZLE (BRONZE)
34	M87831	PLUG	1		5/8"
35	M87919	GLOW PLUG	3		
36	M87920	ELEC. CONNECTOR TERMINAL	1		
37	14M7298	FLANGE NUT	2		M8
38	CH19101	BOLT	1		
39	M89134	PACKING	3		FI NOZZLE PROTECTOR (TEFLON)



Thank you so much for reading.  
Please click the “Buy Now!”  
button below to download the  
complete manual.



After you pay.

You can download the most  
perfect and complete manual in  
the world immediately.

Our support email:

[ebooklibonline@outlook.com](mailto:ebooklibonline@outlook.com)