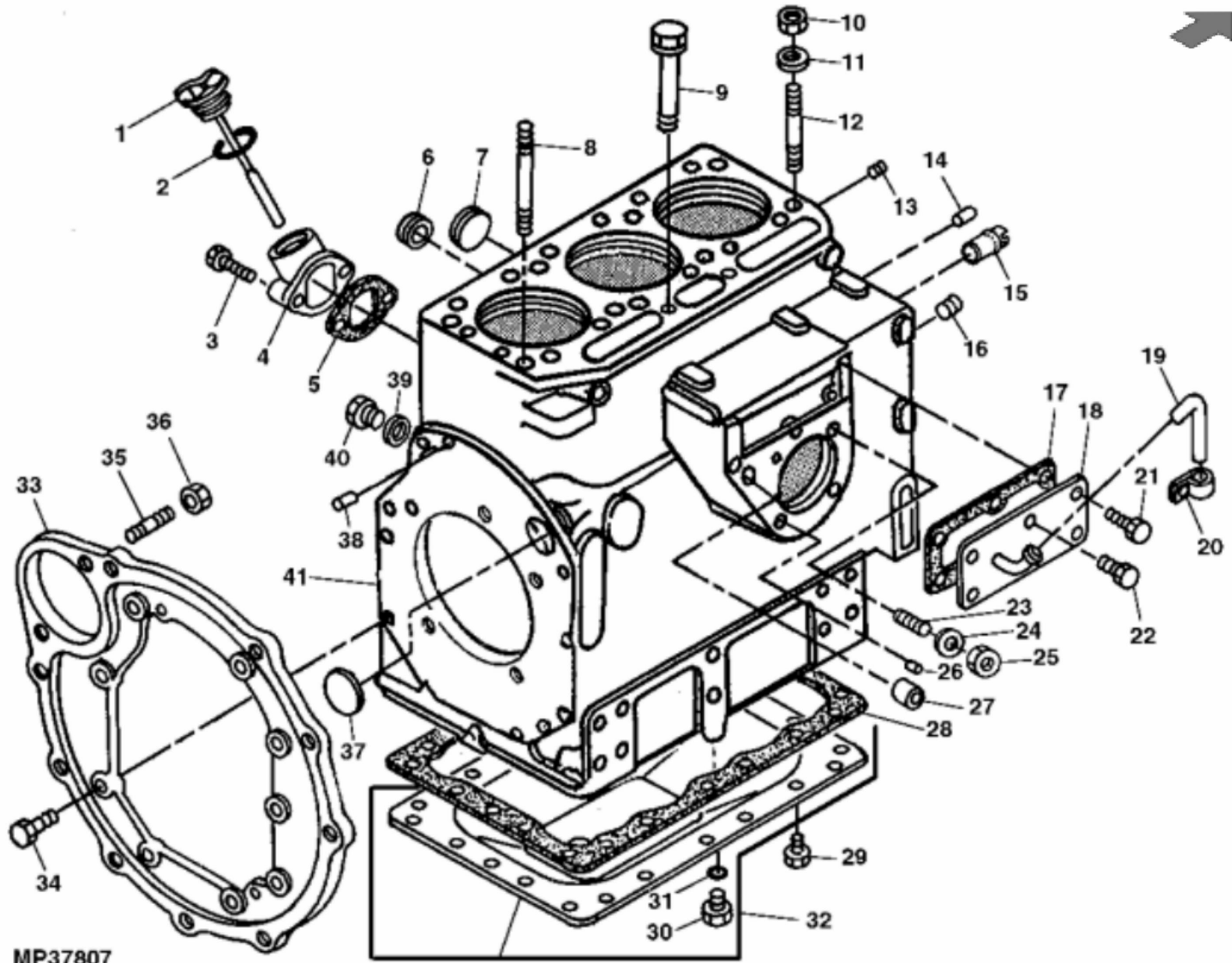


John Deere > Turf And Utility >TRACTOR, COMPACT UTILITY >950 - TRACTOR, COMPACT UTILITY >850 (16001-), 950 (20001-) and 1050 (11001-) Compact Utility Tractors >20 ENGINE >ST631280 -
ROCKER ARM COVER (950/1050)

KEY	PART NO.	PART NAME	QTY	950	1050	REMARKS
1	CH10451	BOLT	3	X	X	
2	CH10569	PACKING	3	X	X	
3	19M7300	CAP SCREW	4	X	X	M6 X 10
4	CH10446	COVER	2	X	X	
5	M811640	GASKET	2	X	X	(SUB FOR CH12817)
6	M805710	CAP	1	X	X	(SUB FOR CH10332)
7	T32587	O-RING	1	X	X	(SUB FOR CH10572)
8	CH13884	ENGINE CYLINDER HEAD GASKET	1	X	X	
9	CH14074	COVER	1	X	X	(NLA)

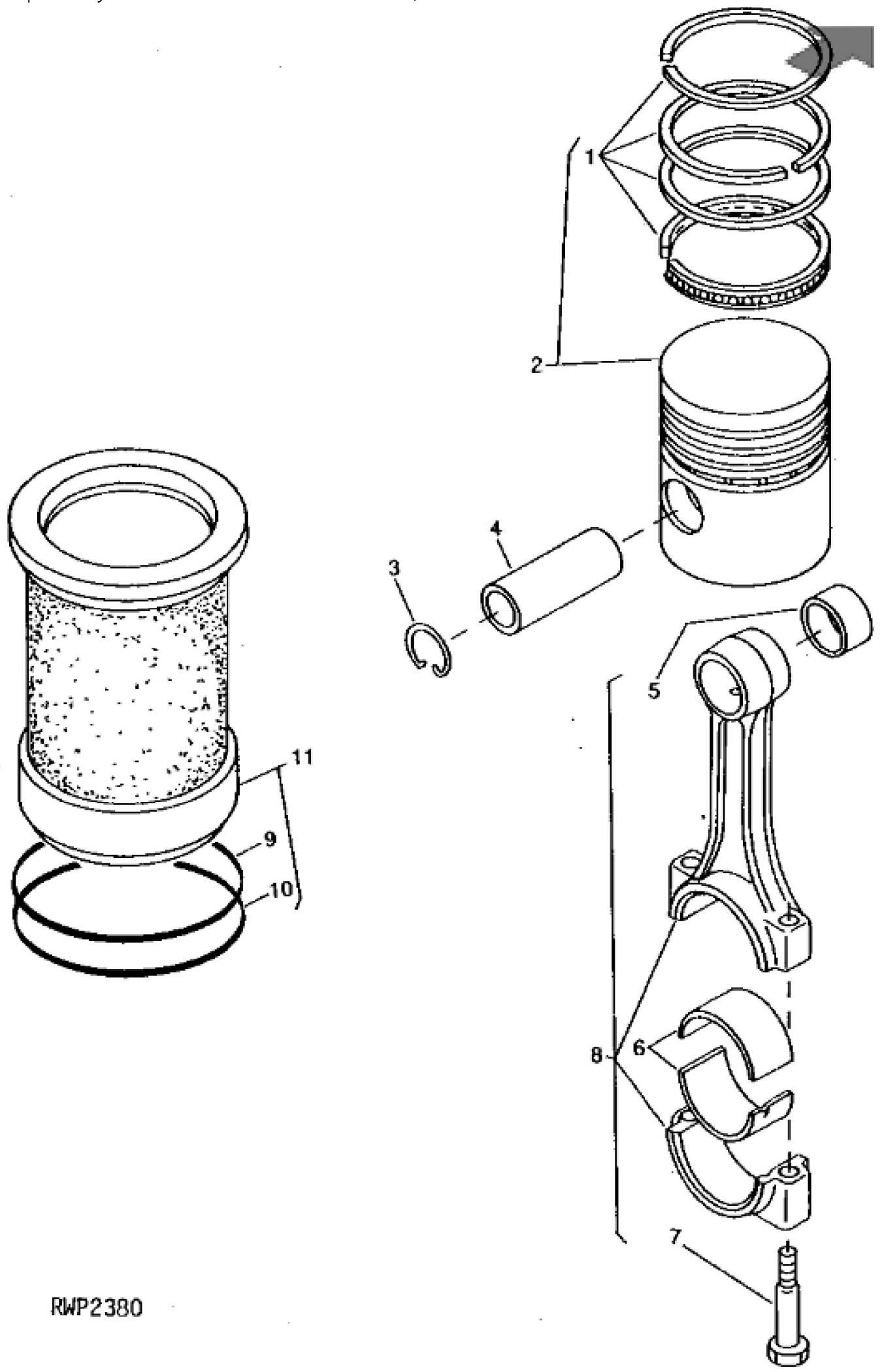


MP37807

CYLINDER BLOCK PARTS

KEY	PART NO.	PART NAME	QTY	850	950	1050	REMARKS
1	CH10178	DIPSTICK	1		X	X	NLA
1	CH10119	DIPSTICK	1	X			(NLA)
2	CH15414	PACKING	1				
3	19M7298	CAP SCREW	2				M8 X 35
4	CH10173	FLANGE	1				(NLA)
5	M810521	GASKET	1				(SUB FOR CH12818)
6	15H562	PIPE PLUG	1				1", (A) (B)
7	30M7023	PLUG	2				(A) (B)
8	CH10385	BOLT	1		X	X	(B)
8	CH10326	BOLT	1	X			(A)
9	CH12841	BOLT	2		X	X	M10 X 100
10	CH10387	NUT	8		X	X	(B)
10	CH10087	NUT	8	X			(A)
11	CH10386	WASHER	8		X	X	(B)
11	CH10065	WASHER	8	X			(A)
12	CH10384	BOLT	7		X	X	(B)
12	CH10325	BOLT	7	X			(A)
13	CH10314	PLUG	2				(A) (B)
14	M802255	PIN	2				(A) (B) (SUB FOR CH10534)
15	CH10363	PIPE	1				(A) (B)
16	CH10335	PLUG	1				PT 1/4", (A) (B)
17	M811639	GASKET	1				(SUB FOR CH12815)
18	CH10179	COVER	1				
19	CH10552	PIPE	1				M9 X 500
20	CH10331	CLAMP	1				
21	CH19140	BOLT	2				M6 X 14
22	19M7864	SCREW	4				M8 X 12
23	CH15722	STUD	2		X	X	M8 X 22, (A) (B)
24	12M7065	LOCK WASHER	2				8 mm, (A) (B)
25	14M7298	FLANGE NUT	2				M8, (A) (B)
26	CH10532	PIN	1				M4 X 10, (A) (B) (NLA)
27	CH10465	BUSHING	1				(A) (B)
28	M811638	GASKET	1		X	X	(SUB FOR CH12821)
28	M811637	GASKET	1	X			(SUB FOR CH12820)

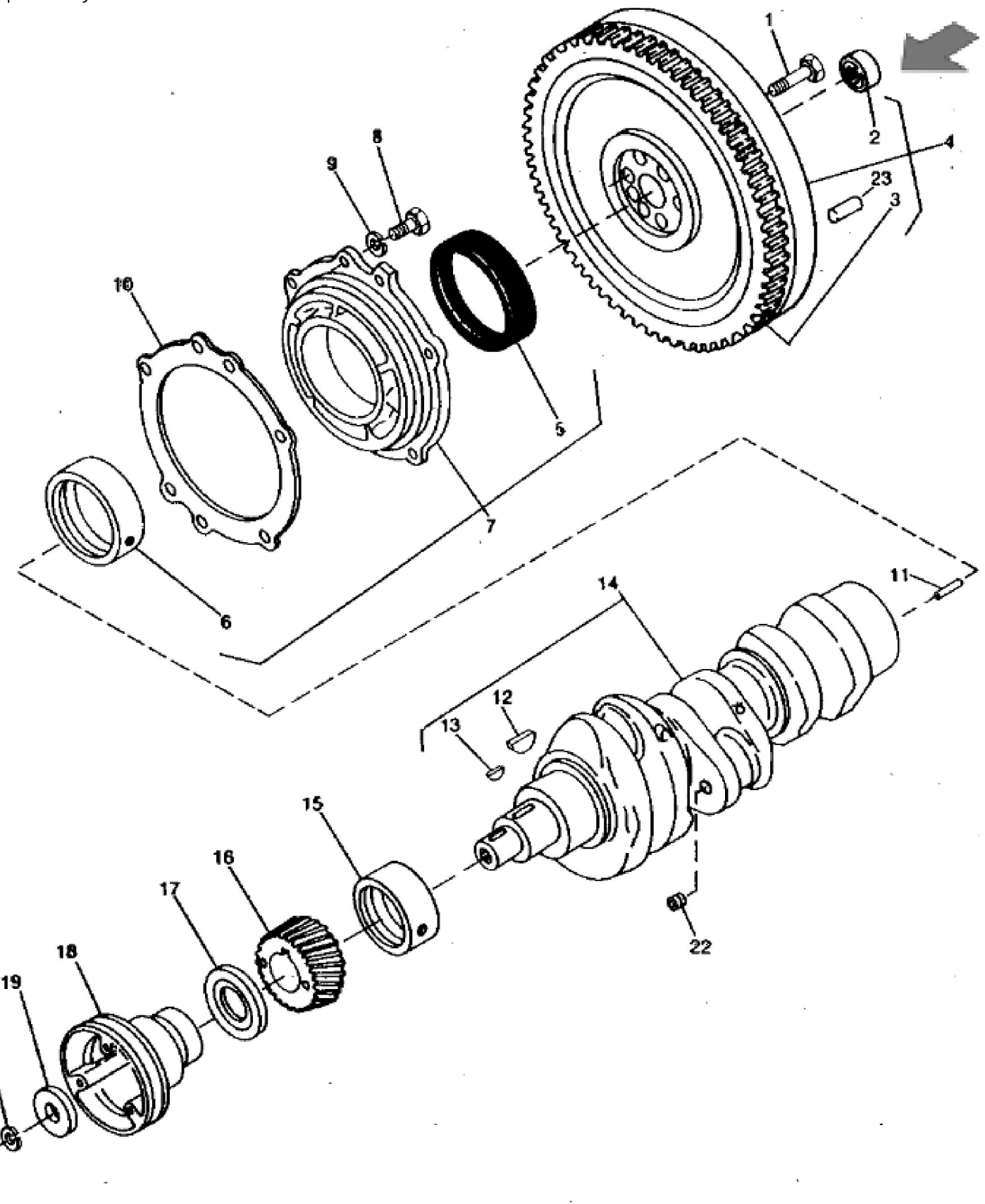
KEY	PART NO.	PART NAME	QTY	850	950	1050	REMARKS
29	CH19780	BOLT	20				(SUB FOR CH12839)
30	CH10315	PLUG	1				
31	CH10569	PACKING	1				
32	CH12810	OIL PAN	1		X	X	
32	CH15733	OIL PAN	1	X			
33	CH10175	FLANGE	1		X	X	(NLA)
33	CH10116	FLANGE	1	X			
34	CH13938	BOLT	9				M10 X 28
35	CH10389	STUD	2				(NLA)
36	14M7275	NUT	2				M12
37	M806843	PLUG	1		X	X	M40, (B) (SUB FOR CH10640)
37	M809593	PLUG	1	X			(A) (SUB FOR CH10641)
38	CH10535	PIN	2				M8 X 20, (A) (B)
39	CH10183	PACKING	3	X	X		M10, (A) (B)
39	CH10183	PACKING	2			X	(B)
40	CH10561	PLUG	3	X	X		M10, (A) (B)
40	CH10561	PLUG	2			X	(B)
41	CH12048	CYLINDER BLOCK	1	X			(INCLUDES PARTS MARKED (A))
41	CH18173	CYLINDER BLOCK	1		X	X	(INCLUDES PARTS MARKED (B)) (NLA)



RWP2380

John Deere > Turf And Utility >TRACTOR, COMPACT UTILITY >950 - TRACTOR, COMPACT UTILITY >850 (16001-), 950 (20001-) and 1050 (11001-) Compact Utility Tractors >20 ENGINE >ST631283 - PISTON, RINGS AND LINER

KEY	PART NO.	PART NAME	QTY	Engine Serial No.	850	950	1050	REMARKS
1	CH12046	PISTON RING	3		X			
1	CH12053	PISTON RING	3			X		
1	CH12924	PISTON RING	3				X	
2	CH10355	PISTON RING	3		X			(44.8 MM), HEAD TO PIN DIMENSION
2	CH11803	PISTON RING	3			X		
2	CH15731	PISTON RING	1				X	
3	CH10071	RING	6		X			
3	CH10096	RING	6			X	X	
4	CH10070	PIN	3		X			
4	CH11762	PIN	3			X	X	
5	MIU801273	BUSHING	3		X			(SUB FOR CH10357)
5	M806859	BUSHING	3			X	X	(SUB FOR CH10410)
6	AM875927	BEARING	3		X			(SUB FOR CH10358)
6	AM875933	BEARING	3		X			0.25MM (.0098") US, (SUB FOR CH17671)
6	AM875934	BEARING	3		X			0.50 mm, NLA; SUB FOR CH17672
6	AM875930	BEARING	3			X	X	(SUB FOR CH10412 OR CH20071)
6	AM875937	BEARING	3			X	X	0.25MM(.0098") US, (SUB FOR CH17681)
6	AM875938	BEARING	3			X	X	0.50MM (.0197") US, (SUB FOR CH17682)
7	CH10092	BOLT	6		X			
7	CH10411	BOLT	6			X	X	
8	CH10682	ROD	3		X			
8	CH10683	ROD	3			X	X	
9	CH10327	PACKING	3		X			
9	CH16109	PACKING	3			X	X	(SUB FOR CH10464)
10	CH13580	O-RING	3		X			
10	CH13596	O-RING	3			X	X	
11	CH13597	CYLINDER LINER	3		X			
11	CH13598	CYLINDER LINER	3			X		
11	CH15730	CYLINDER LINER	3	____-089472			X	(FIBER) M808712 HEAD GASKET FOR 950/1050 SN. -11173
11	CH19591	CYLINDER LINER	3	089473-____			X	(METALLIC) CH19594 HEAD GASKET SN. 11174-



MP5419

Thank you so much for reading.
Please click the “Buy Now!”
button below to download the
complete manual.



After you pay.

You can download the most
perfect and complete manual in
the world immediately.

Our support email:

ebooklibonline@outlook.com