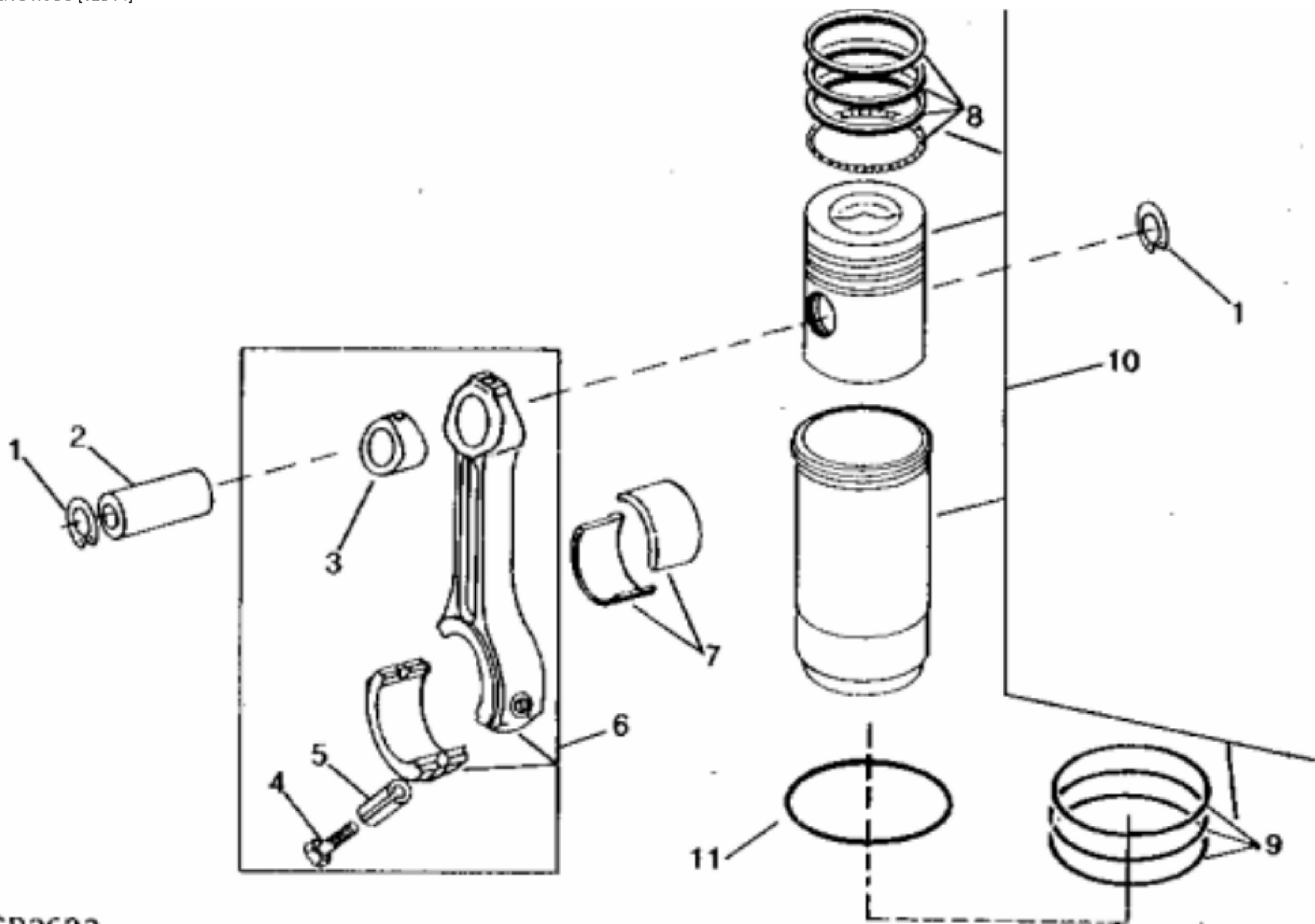


RGP2569

John Deere > Construction And Forestry >BULLDOZER >850B - BULLDOZER >850B Crawler Bulldozer >4 ENGINE 4 >CAMSHAFT AND VALVE ACTUATING MEANS 0402 >0402-3 - ENGINE VENTILATOR
 OUTLET AND ROCKER ARM COVER (6466) [02B13]

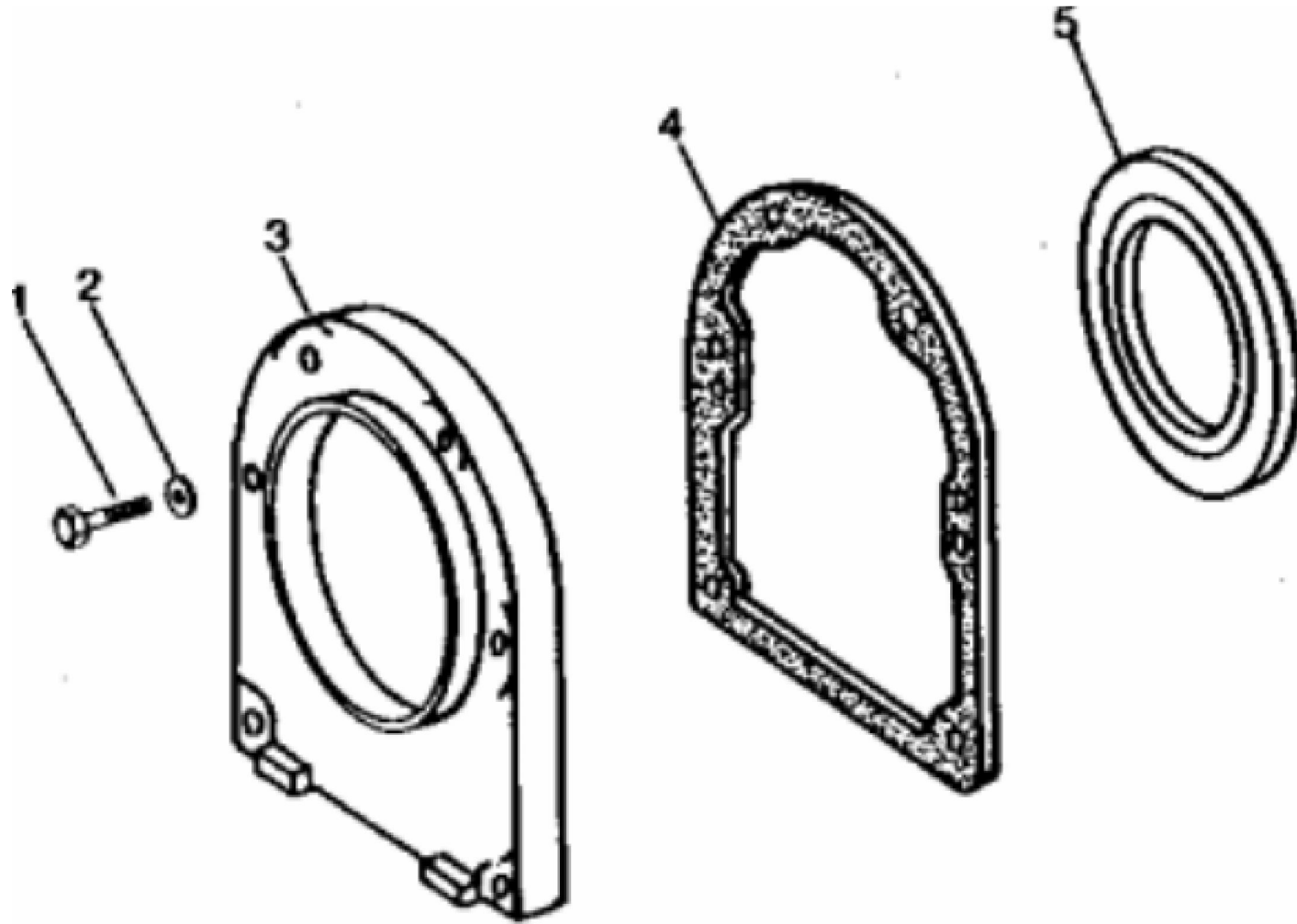
KEY	PART NO.	PART NAME	QTY	Engine Serial No.	REMARKS
1	TY22467	CLAMP	2		(SUB FOR AR21839)
2	AR103811	SCREW WITH WASHER	8	____-329283	6.350 X 19.050 MM (1/4" X 3/4") (SUB FOR AR45530)
2	AR100124	SCREW WITH WASHER	8	329284-____	
3	AR93172	COVER	1	____-345885	(SUB FOR AR73677) (SUB RE37448)
3	RE37448	COVER	1	345886-____	
4	R49866	GASKET	1		(SUB FOR R32593)
5	R50388	TUBE	1		
6	R99793	HOSE	1		19 MM X 889 MM (3/4" X 35") (SUB FOR R60753) (SUB TY22450)
6	TY22450	BULK HOSE	AR		(BULK)
..	AR31790	ADHESIVE	1		



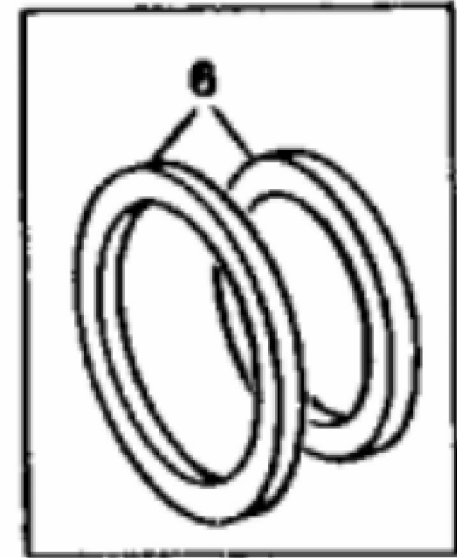
RGP3623

John Deere > Construction And Forestry >BULLDOZER >850B - BULLDOZER >850B Crawler Bulldozer >4 ENGINE 4 >CONNECTING RODS AND PISTONS 0403 >0403-1 - PISTONS, RINGS, LINERS AND CONNECTING RODS [02B14]

KEY	PART NO.	PART NAME	QTY	REMARKS
1	E1343FN	SNAP RING	12	
2	R57771	PISTON PIN	6	
3	R74008	BUSHING	6	
4	R66452	CAP SCREW	12	
5	R53292	SLEEVE	12	
6	AR93341	CONNECTING ROD	6	(MARKED R71074) (SUB (6) SE500498)
6	SE500498	CONNECTING ROD REMAN	6	
7	AR73277	BEARING	AR	STD (PKG (2) R57583)
7	AR73278	BEARING	AR	0.05MM (.002") US (PKG (2) R60485)
7	AR73279	BEARING	AR	0.25MM (.010") US (PKG (2) R60486)
7	AR73280	BEARING	AR	0.51MM (.020") US (PKG (2) R60487)
7	AR73281	BEARING	AR	0.76MM (.030") US (PKG (2) R60488)
8	RE48380	PISTON RING KIT	6	(SUB FOR AR73627) (USE WITH AR98838 OR AR100616)
9	AR98850	O-RING KIT	6	
10	RE60282	PISTON-LINER KIT	6	(MARKED AR100616 OR AR98838) (SUB FOR AR100646)
11	R93948	SHIM	2	0.05MM (.002") (MAX.)
..	RG27908	ENGINE OVERHAUL KIT	1	(CONTAINS (6) RE60282 PISTON LINER KITS, GASKET KIT, STD BEARINGS, FRONT/REAR SEALS AND SNAP RINGS) (ALSO ORDER R66452 ROD BOLTS) (SUB FOR RG18847 OR RE60283)
..	R133134	SHIM	1	(FOR CYLINDER HEAD GASKET REPAIR)

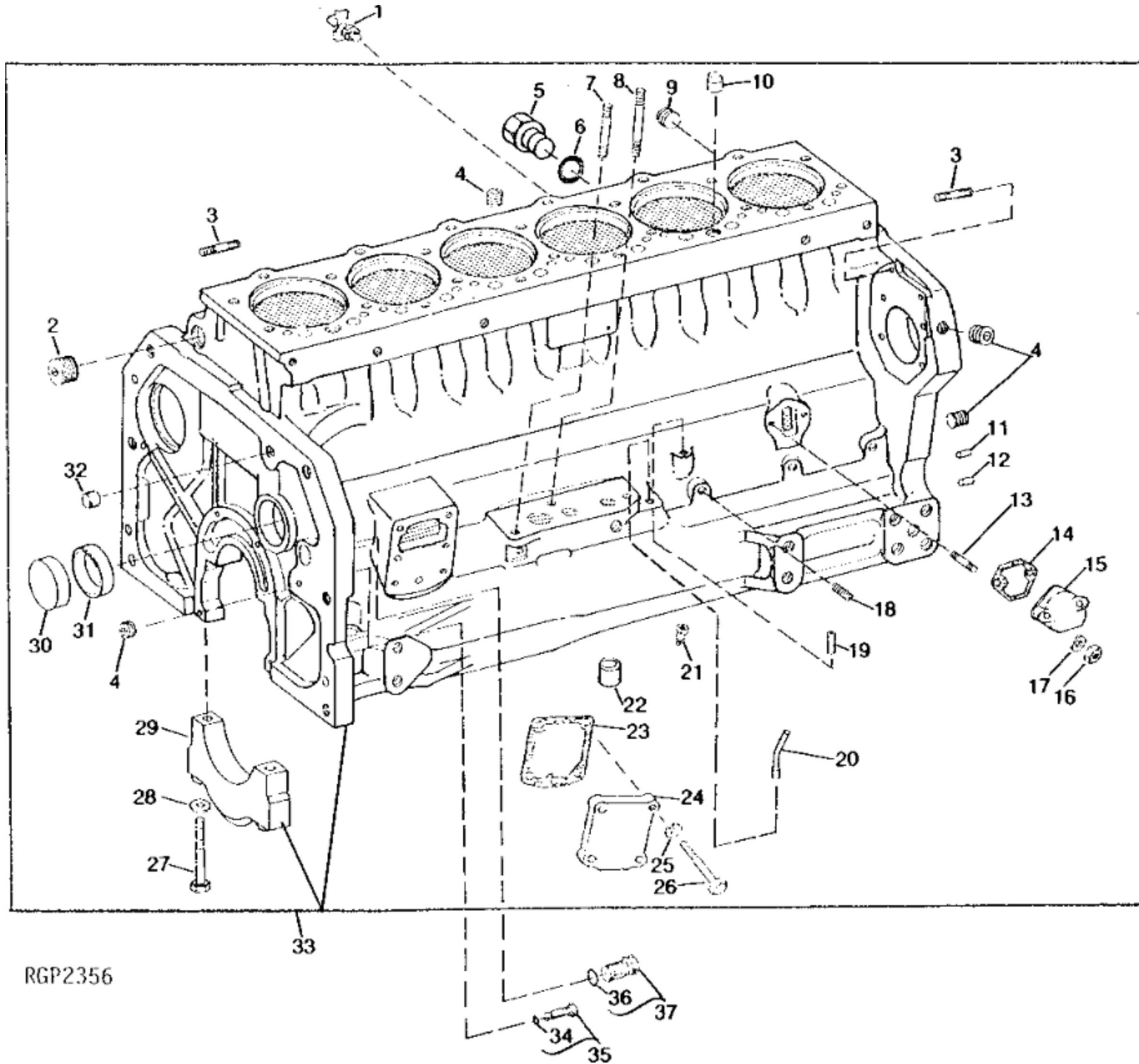


RGP2352



[02B15]

KEY	PART NO.	PART NAME	QTY	Engine Serial No.	REMARKS	
1	R47074	CAP SCREW	6			
2	T27860	WASHER	6	243506-____	0.344" X 0.689" X 0.066"	
3	R41406	HOUSING	1	____-243505	(SUB R125027 AND (6) T27860)	
3	R125027	HOUSING	1	243506-____	(SUB FOR R41406, R78124 OR R115050)	
4	R26058	GASKET	1			
5	RE520036	SEAL	1		(SUB FOR RE14953, RE17352 OR RE22764)	
6	RE520036	SEAL	1		(SUB FOR AR63095)	



RGP2356

Thank you so much for reading.
Please click the “Buy Now!”
button below to download the
complete manual.



After you pay.

You can download the most
perfect and complete manual in
the world immediately.

Our support email:

ebooklibonline@outlook.com