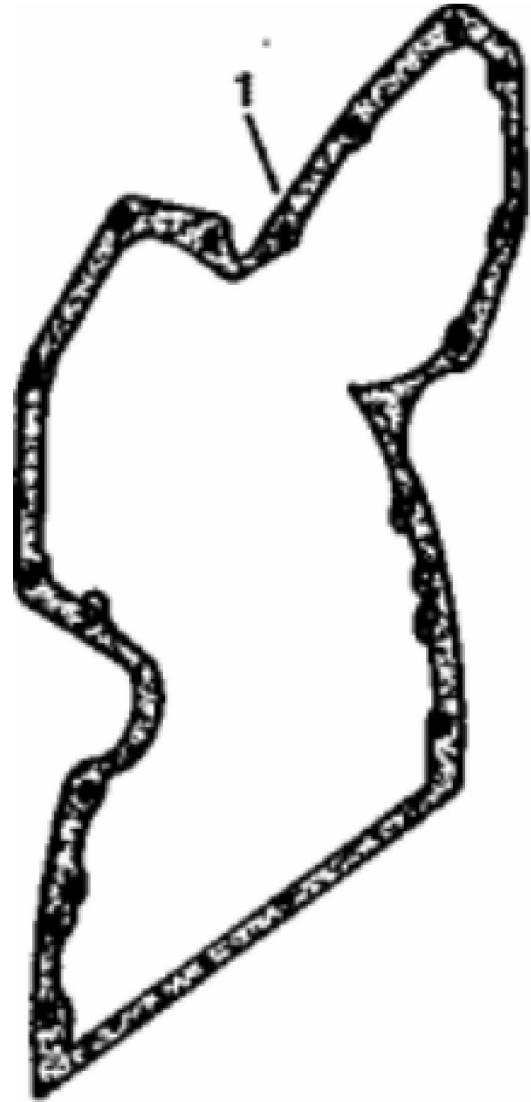
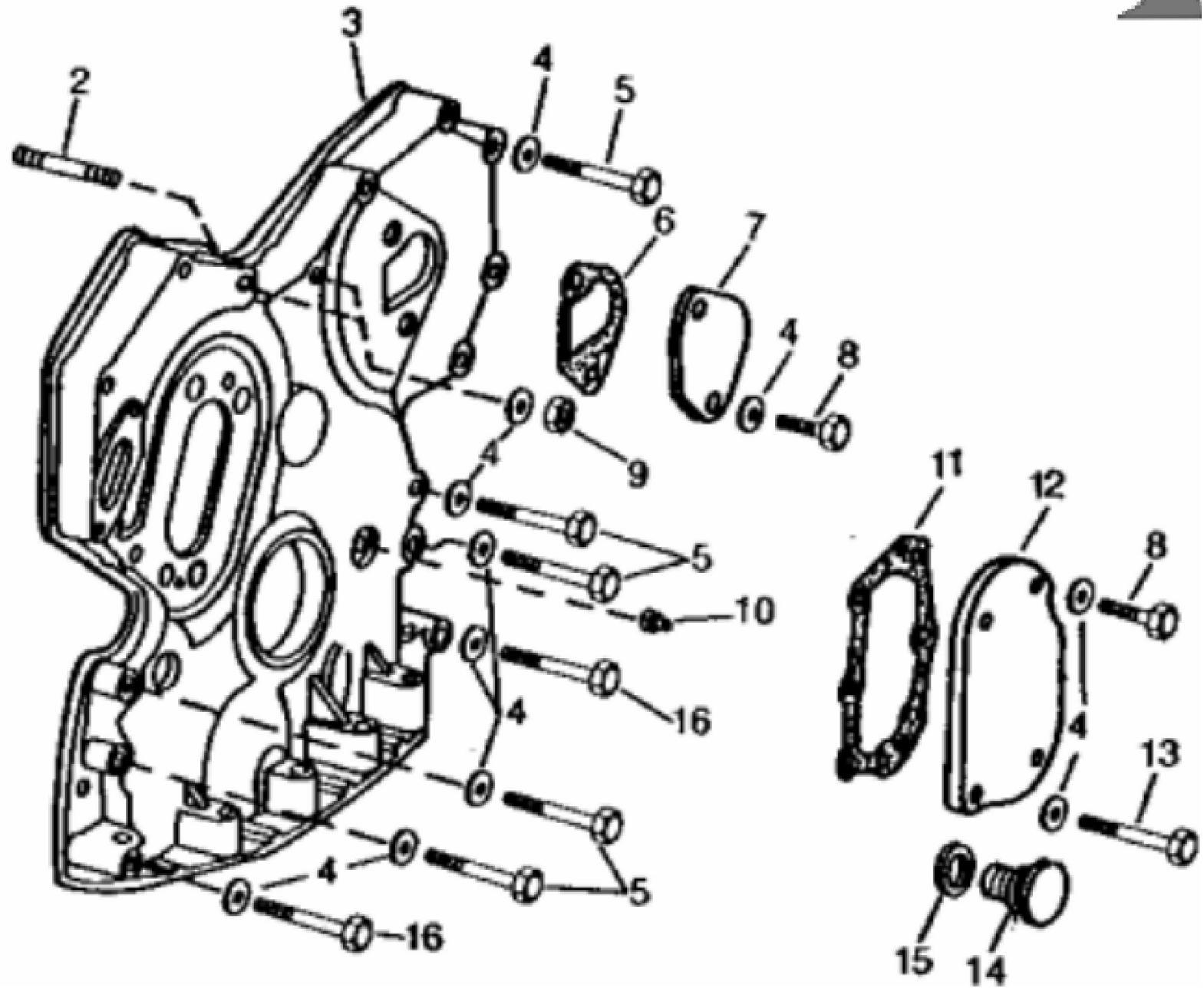


T44042

| KEY | PART NO. | PART NAME         | QTY | REMARKS            |  |
|-----|----------|-------------------|-----|--------------------|--|
| 1   | 19H2036  | CAP SCREW         | 1   | 1/4" X 7/8"        |  |
| 2   | 12H302   | LOCK WASHER       | 1   | 1/4"               |  |
| 3   | R64764   | WASHER            | 1   |                    |  |
| 4   | AR65864  | FILLER CAP        | 1   |                    |  |
| 5   | AR103811 | SCREW WITH WASHER | 7   | (SUB FOR AR100124) |  |
| 6   | AR71130  | VALVE COVER       | 1   |                    |  |
| 7   | R73521   | GASKET            | 1   |                    |  |

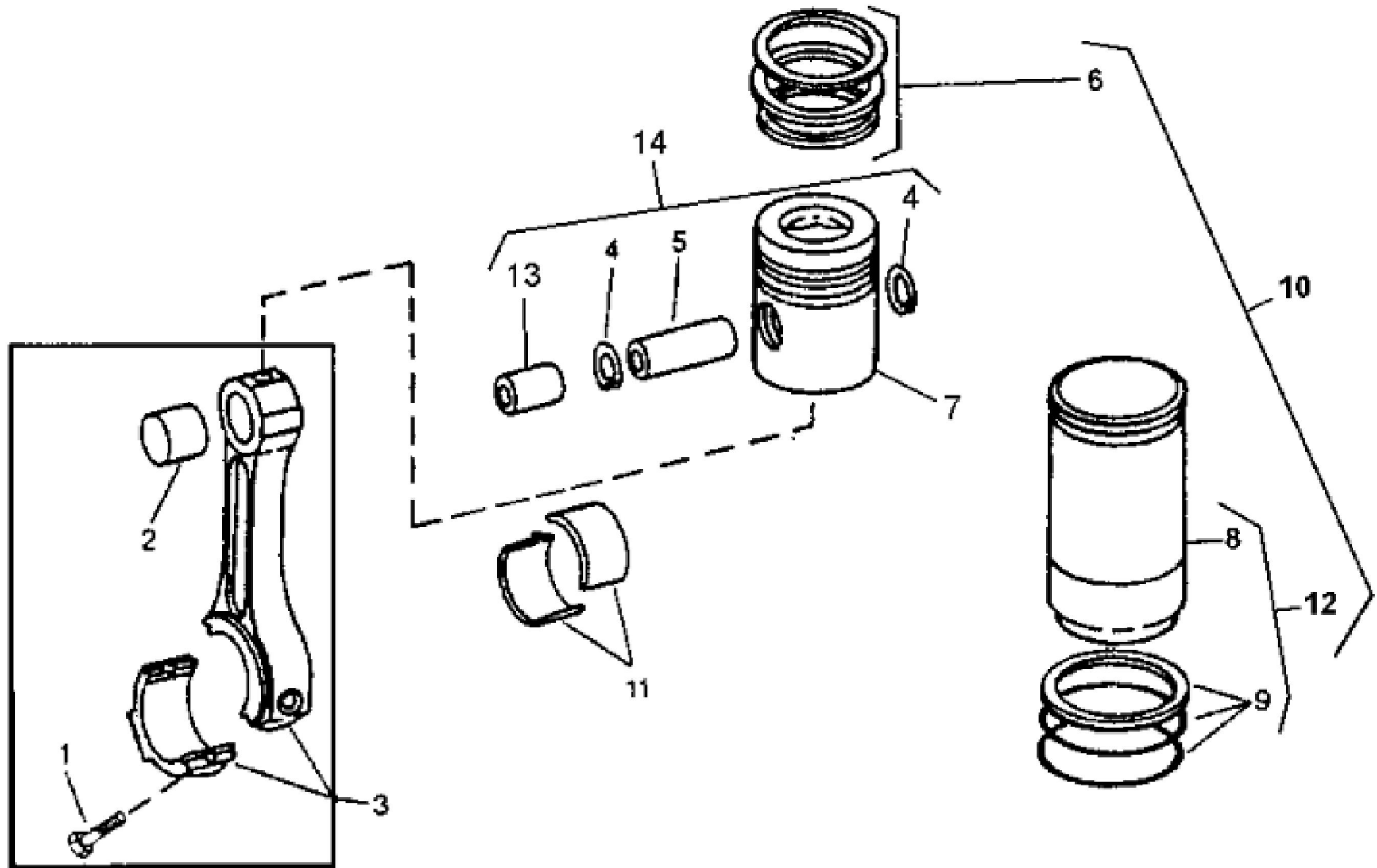


TP1523

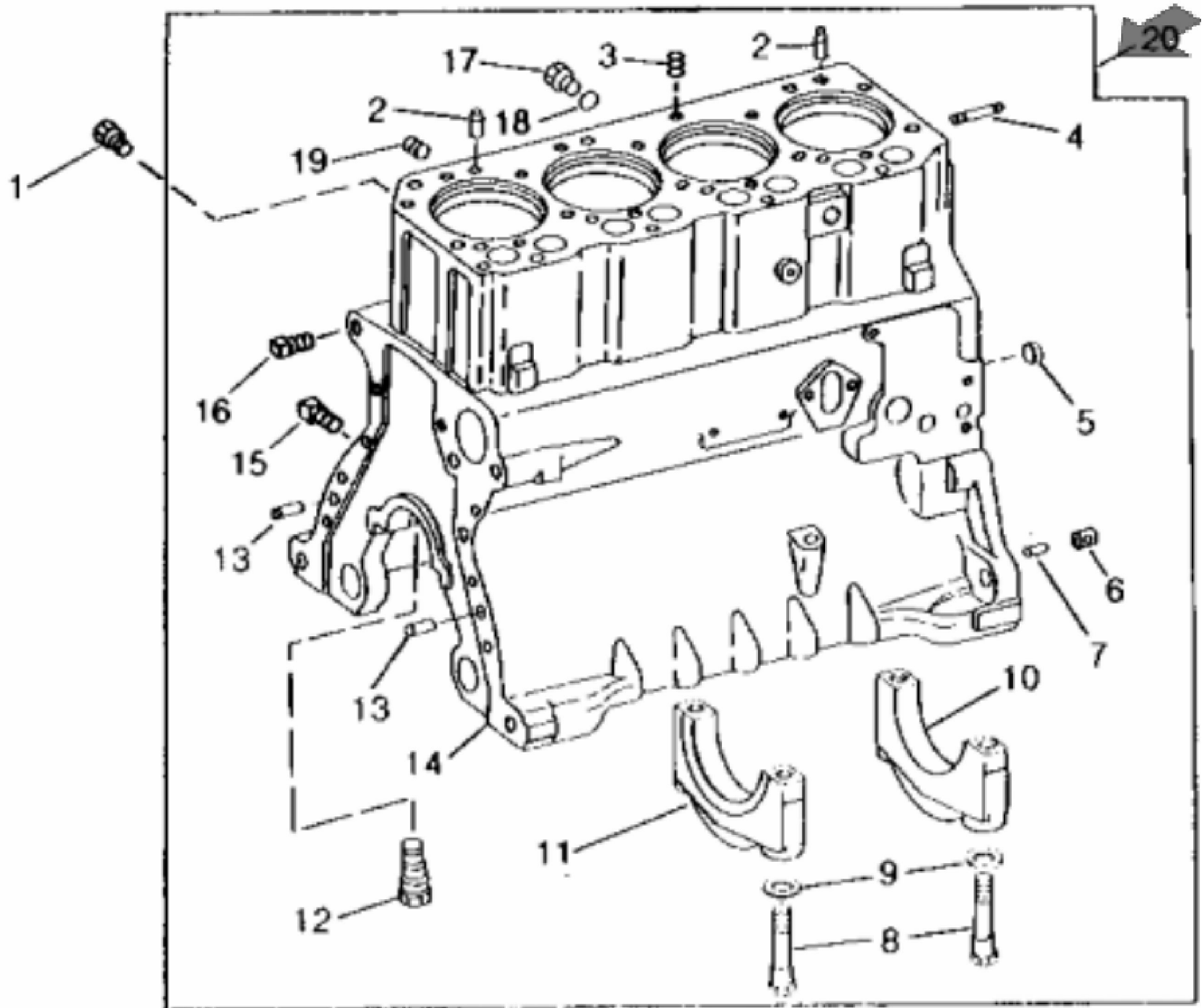


John Deere > Construction And Forestry >BULLDOZER >450E - BULLDOZER >450E Crawler Bulldozer >4 ENGINE 4 >CAMSHAFT AND VALVE ACTUATING MEANS 0402 >0402-5 - TIMING GEAR COVER [01D21]

| KEY | PART NO. | PART NAME    | QTY | REMARKS  |
|-----|----------|--------------|-----|--|
| 1   | T20155   | GASKET       | 1   |  |
| 2   | R122226  | STUD         | 2   | (SUB FOR R122226)  |
| 3   | RE39252  | COVER        | 1   | (ALSO ORDER T20272, T20273, 15H275, 19H1726, (3) 19H2284, (4) 24H1304) (SUB FOR RE27895) |
| 4   | 24M7106  | WASHER       | AR  | 10 X 18 X 2.500 MM   |
| 5   | 19H2549  | CAP SCREW    | 10  | 3/8" X 1-7/8"  |
| 6   | R78366   | GASKET       | 1   |  |
| 7   | R126041  | COVER        | 1   | (SUB FOR T20362)   |
| 8   | 19H2284  | CAP SCREW    | 3   | 3/8" X 7/8"  |
| 8   | R124277  | SCREW        | 2   | (USE WITH R126041) (SUB FOR R122618, THIS APPLICATION)                                   |
| 9   | 14H812   | NUT          | 2   | 3/8"   |
| 10  | 15H275   | PIPE PLUG    | 1   | 1/4"   |
| 11  | T20273   | GASKET       | 1   |  |
| 12  | T20272   | COVER        | 1   |  |
| 13  | 19H1726  | CAP SCREW    | 1   | 3/8" X 2-1/4"  |
| 14  | T27657   | FITTING PLUG | 1   |  |
| 15  | A4827R   | WASHER       | 1   |  |
| 16  | 19H3031  | CAP SCREW    | 2   | 3/8" X 2-1/2"  |



| KEY | PART NO. | PART NAME       | QTY | REMARKS   |
|-----|----------|-----------------|-----|---|
| 1   | R74195   | SCREW           | 8   |   |
| 2   | .....    | BUSHING         | 4   | ( R56186 NO LONGER AVAILABLE)   |
| 3   | RE53716  | CONNECTING ROD  | 4   | (MARKED R116851) (SUB FOR AR66400) (MARKED R56187)                              |
| 4   | R54114   | SNAP RING       | 8   |   |
| 5   | .....    | PIN             | 4   | ( R124230 NO LONGER AVAILABLE,FURNISH RE63913)                                  |
| 6   | RE66820  | PISTON RING KIT | 4   | (SUB FOR (4) RE15674 OR RE48818)  |
| 7   | .....    | PISTON          | 4   | (MARKED AR68188) (FURNISH RE22678)  |
| 7   | .....    | PISTON          | 4   | (MARKED RE28919) (FURNISH RE28966)  |
| 8   | R121867  | CYLINDER LINER  | 4   | (SUB FOR R80500) (SUB RE500024)   |
| 9   | AR65507  | O-RING KIT      | 4   |   |
| 10  | RE19833  | KIT             | 4   | (USED WITH PISTON MARKED AR68188)   |
| 10  | RE28966  | KIT             | 4   | (USED WITH PISTON MARKED RE28919)   |
| 11  | AR97517  | BEARING         | 4   | STANDARD (SET OF (2) R54801)  |
| 11  | .....    | BEARING         | 4   | ( AR97652 NO LONGER AVAILABLE) 0.05 MM (.002")<br>UNDERSIZE (SET OF (2) R73595) |
| 11  | AR97653  | BEARING         | 4   | 0.25 MM (.010") UNDERSIZE (SET OF (2) R73596)                                   |
| 11  | AR97654  | BEARING         | 4   | 0.51 MM (.020") UNDERSIZE (SET OF (2) R73597)                                   |
| 11  | AR97655  | BEARING         | 4   | 0.76 MM (.030") UNDERSIZE (SET OF (2) R73598)                                   |
| 12  | RE500024 | CYLINDER LINER  | 4   |   |
| 13  | .....    | BUSHING         | 4   |   |
| 14  | RE63913  | KIT             | 4   |   |



TP25159

Thank you so much for reading.  
Please click the “Buy Now!”  
button below to download the  
complete manual.



After you pay.

You can download the most  
perfect and complete manual in  
the world immediately.

Our support email:

[ebooklibonline@outlook.com](mailto:ebooklibonline@outlook.com)