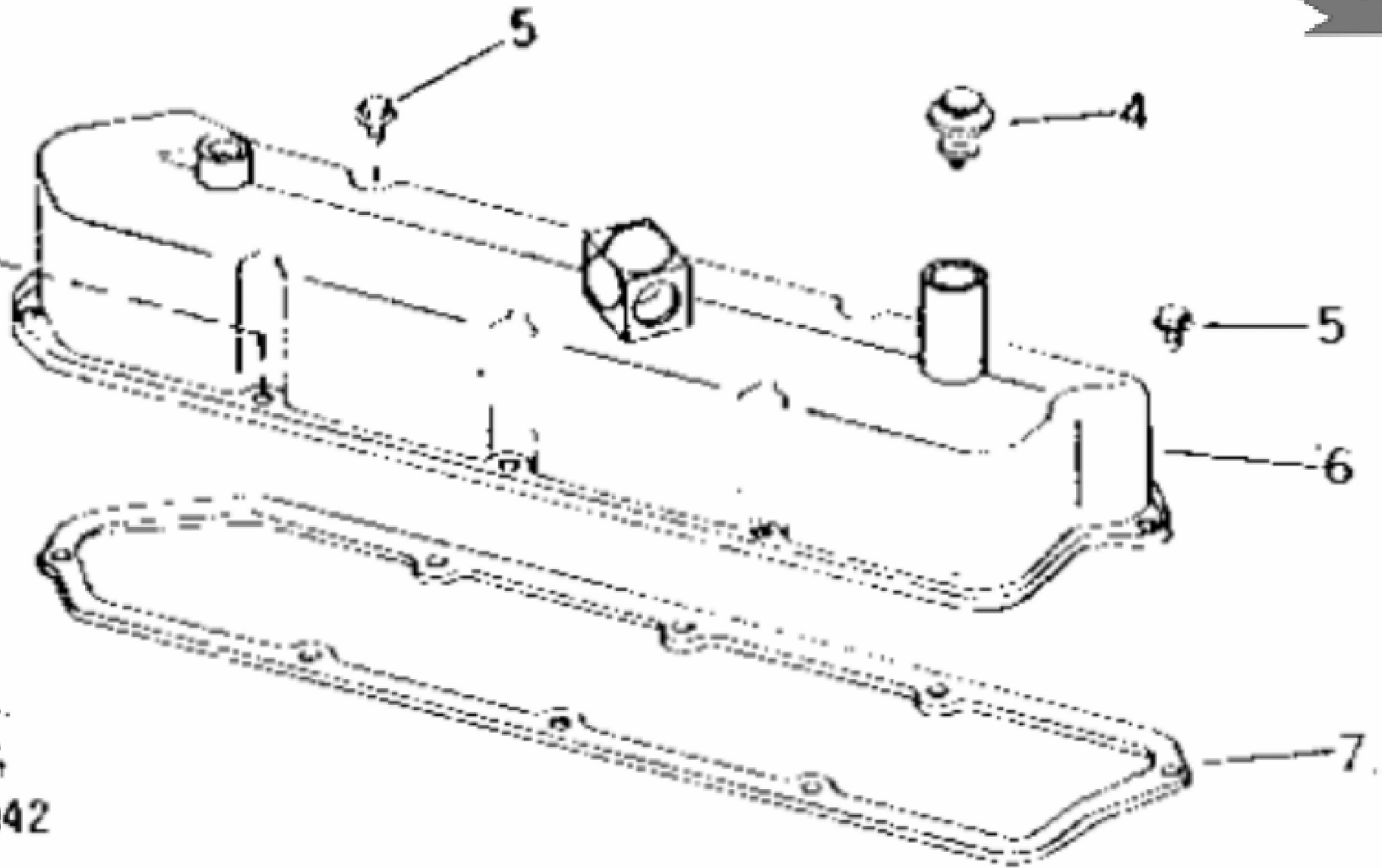



- 1 — [Screw]
- 2 — [Washer]
- 3 — [Washer]



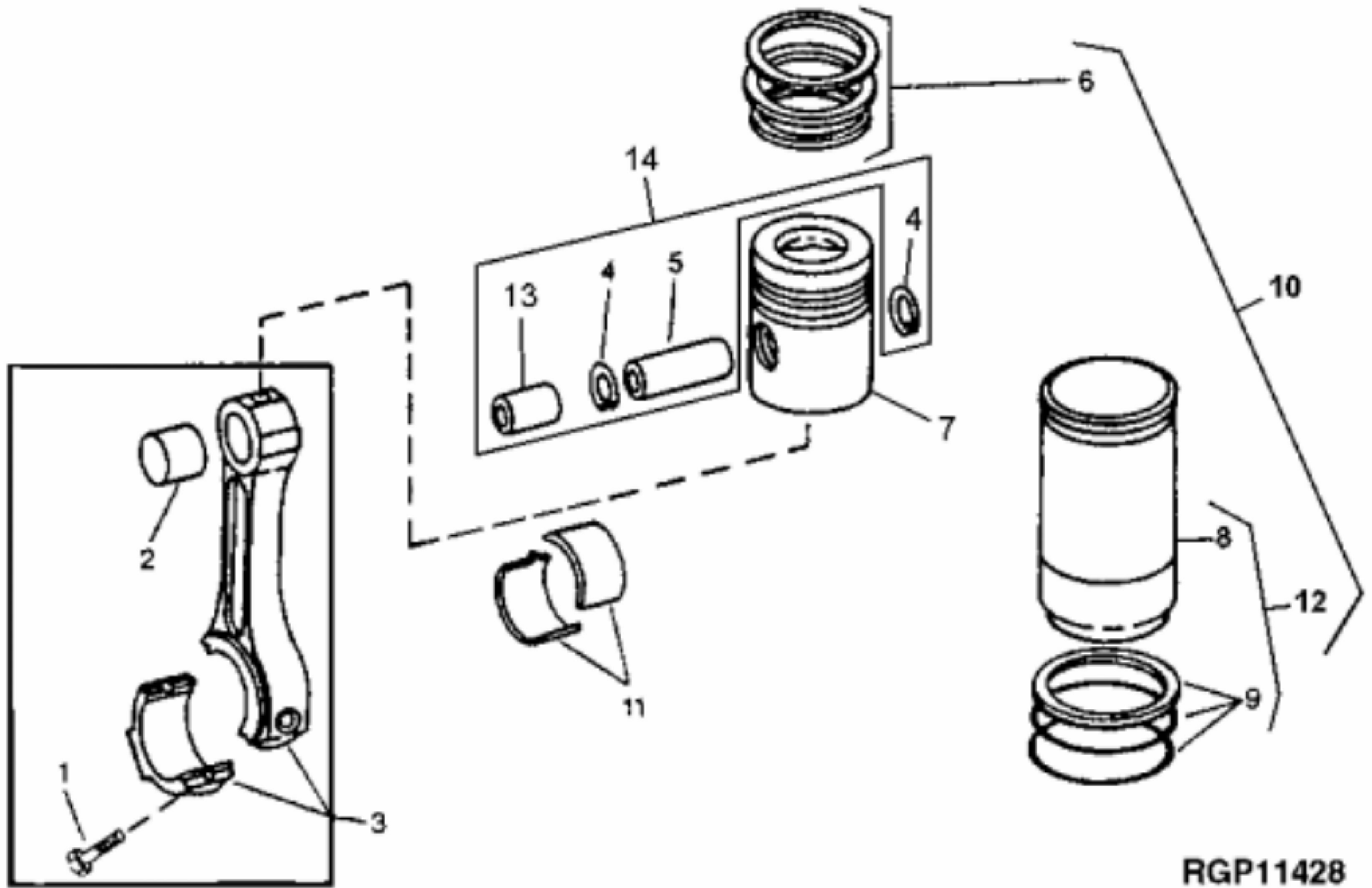

T44042

John Deere > Construction And Forestry >CRAWLER LOADER >455E - CRAWLER LOADER >455E Crawler Loader >4 ENGINE 4 >CAMSHAFT AND VALVE ACTUATING MEANS 0402 >0402-4 - ROCKER ARM COVER [01D15]

KEY	PART NO.	PART NAME	QTY	REMARKS	
1	19H2036	CAP SCREW	1	1/4" X 7/8"	
2	12H302	LOCK WASHER	1	1/4"	
3	R64764	WASHER	1		
4	AR65864	FILLER CAP	1		
5	AR103811	SCREW WITH WASHER	7	(SUB FOR AR100124)	
6	AR71130	VALVE COVER	1		
7	R73521	GASKET	1		

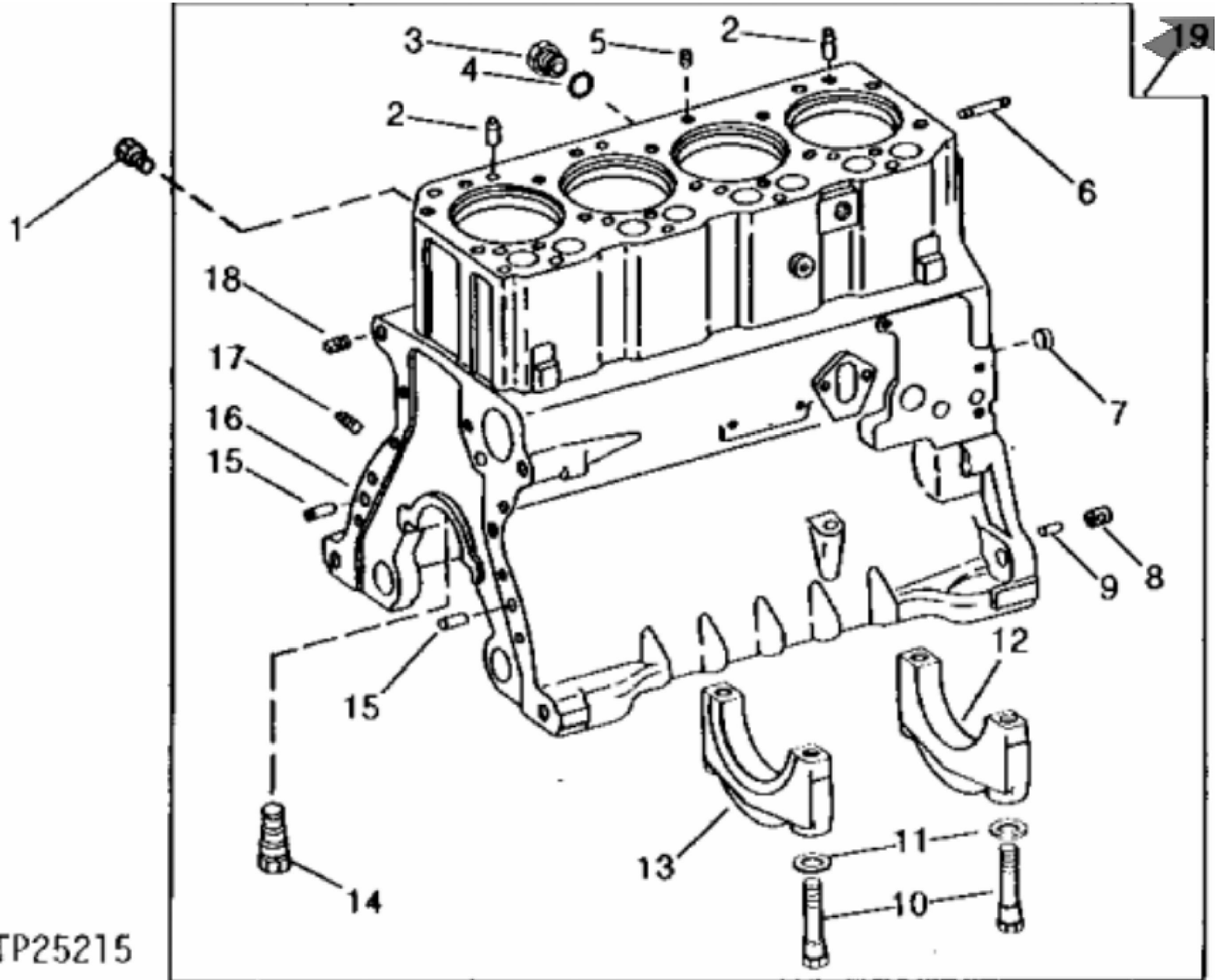
John Deere > Construction And Forestry >CRAWLER LOADER >455E - CRAWLER LOADER >455E Crawler Loader >4 ENGINE 4 >CAMSHAFT AND VALVE ACTUATING MEANS 0402 >0402-5 - TIMING GEAR COVER [01D16]

KEY	PART NO.	PART NAME	QTY	REMARKS
1	T20155	GASKET	1	
2	R122226	STUD	2	(SUB FOR R122226)
3	RE39252	COVER	1	(ALSO ORDER T20272, T20273, 15H275, 19H1726, (3) 19H2284, (4) 24H1304) (SUB FOR RE27895)
4	24M7106	WASHER	20	10 X 18 X 2.500 MM
5	19H2549	CAP SCREW	10	3/8" X 1-7/8"
6	R78366	GASKET	1	
7	R126041	COVER	1	(SUB FOR T20362)
8	19H2284	CAP SCREW	5	3/8" X 7/8"
9	14H812	NUT	2	3/8"
10	15H275	PIPE PLUG	1	1/4"
11	T20273	GASKET	1	
12	T20272	COVER	1	
13	19H1726	CAP SCREW	1	3/8" X 2-1/4"
14	T27657	FITTING PLUG	1	
15	A4827R	WASHER	1	
16	19H3031	CAP SCREW	2	3/8" X 2-1/2"



RGP11428

KEY	PART NO.	PART NAME	QTY	REMARKS
1	R74195	SCREW	8	
2	BUSHING	4	(R56186 NO LONGER AVAILABLE)
3	RE53716	CONNECTING ROD	4	(MARKED R116851) (SUB FOR AR66400) (MARKED R56187)
3	SE500746	CONNECTING ROD	4	(REMANUFACTURED)
4	R54114	SNAP RING	8	
5	PIN	4	(R124230 NO LONGER AVAILABLE,FURNISH RE63913)
6	RE66820	PISTON RING KIT	4	(SUB FOR (4) RE15674 OR RE48818)
7	PISTON	4	(MARKED AR68188) (FURNISH RE19833)
7	PISTON	4	(MARKED RE28919) (FURNISH RE28966)
8	R121867	CYLINDER LINER	4	(SUB FOR R80500) (SUB RE500024)
9	AR65507	O-RING KIT	4	
10	RE19833	KIT	4	(USED WITH PISTON MARKED AR68188)
10	RE28966	KIT	4	(USED WITH PISTON MARKED RE28919)
11	AR97517	BEARING	4	STANDARD (SET OF (2) R54801)
11	BEARING	4	(AR97652 NO LONGER AVAILABLE) 0.05 MM (.002") UNDERSIZE (SET OF (2) R73595)
11	AR97653	BEARING	4	0.25 MM (.010") UNDERSIZE (SET OF (2) R73596)
11	AR97654	BEARING	4	0.51 MM (.020") UNDERSIZE (SET OF (2) R73597)
11	AR97655	BEARING	4	0.76 MM (.030") UNDERSIZE (SET OF (2) R73598)
12	RE500024	CYLINDER LINER	4	
13	BUSHING	4	
14	RE63913	KIT	4	



TP25215

Thank you so much for reading.
Please click the “Buy Now!”
button below to download the
complete manual.



After you pay.

You can download the most
perfect and complete manual in
the world immediately.

Our support email:

ebooklibonline@outlook.com