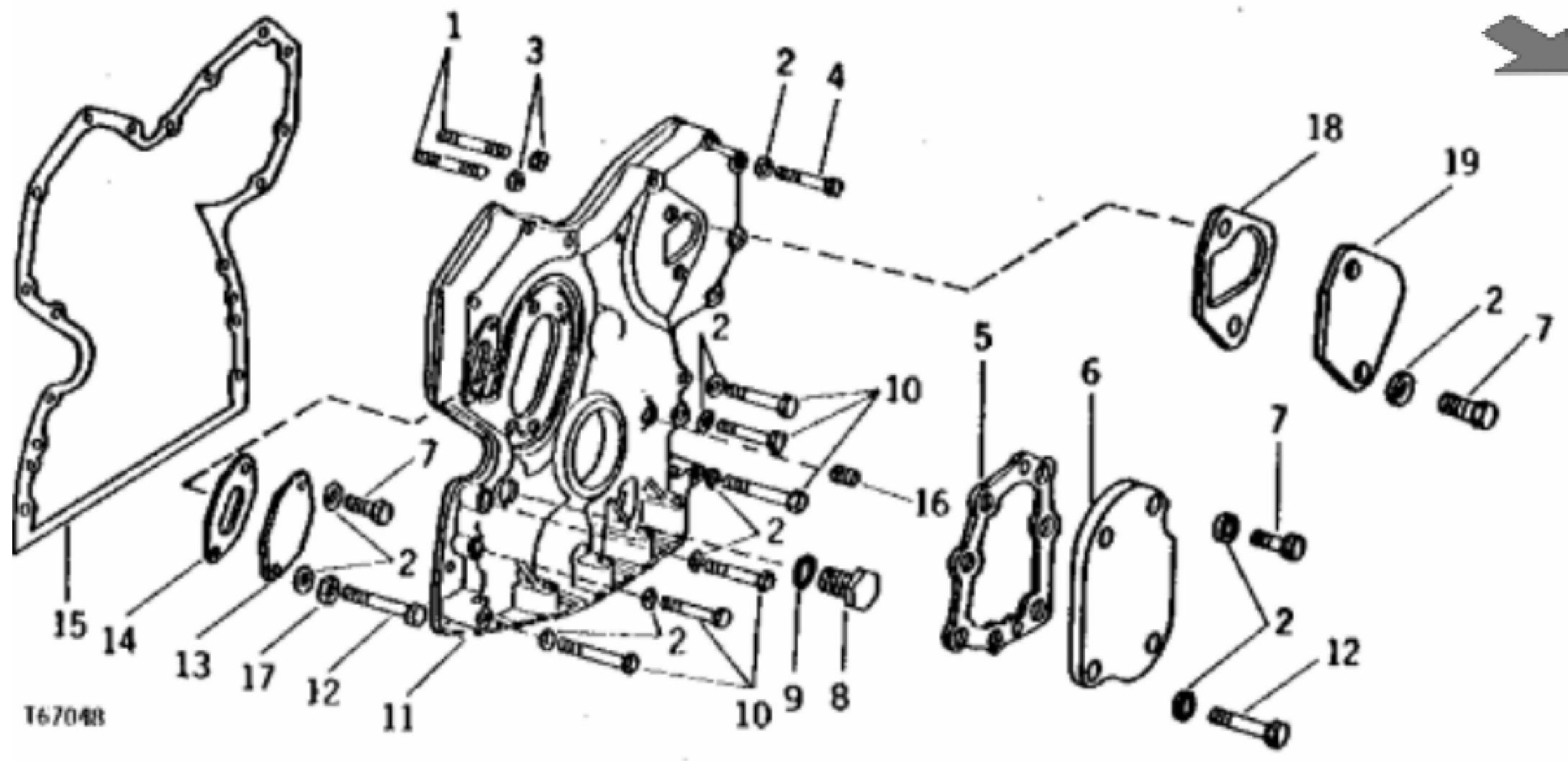


TP43804

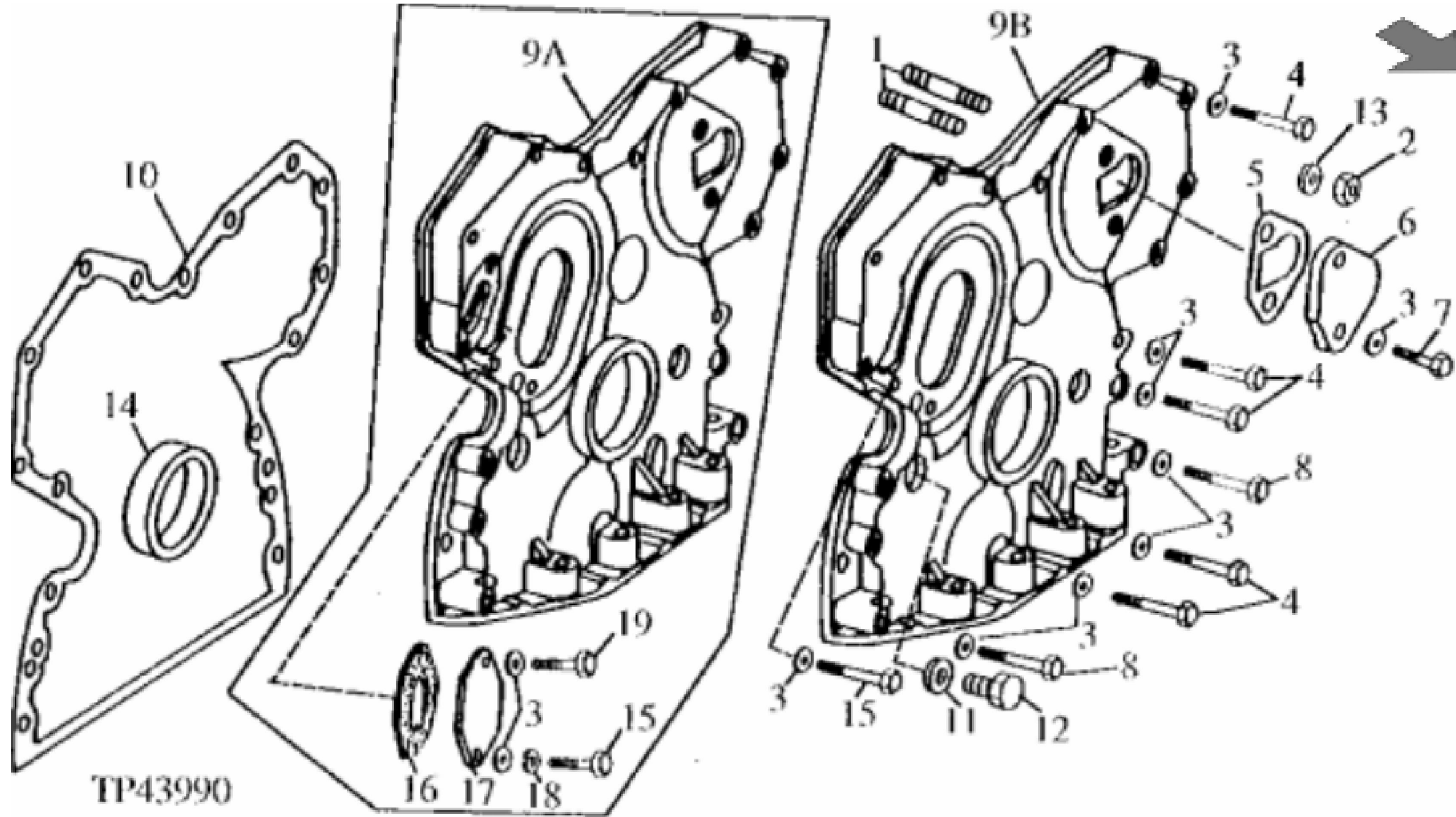
John Deere > Construction And Forestry >BULLDOZER >750B - BULLDOZER >750B Crawler Bulldozer >4 ENGINE 4 >CAMSHAFT AND VALVE ACTUATING MEANS 0402 >0402-4 - ROCKER ARM COVER
[02B13]

KEY	PART NO.	PART NAME	QTY	REMARKS	
1	R75728	GASKET	1		
2	AR103811	SCREW WITH WASHER	1	(SUB FOR AR100124)	
3	AR103811	SCREW WITH WASHER	11	(SUB FOR AR100124)	
4	AR65864	FILLER CAP	1		
5	AR100312	VALVE COVER	1		



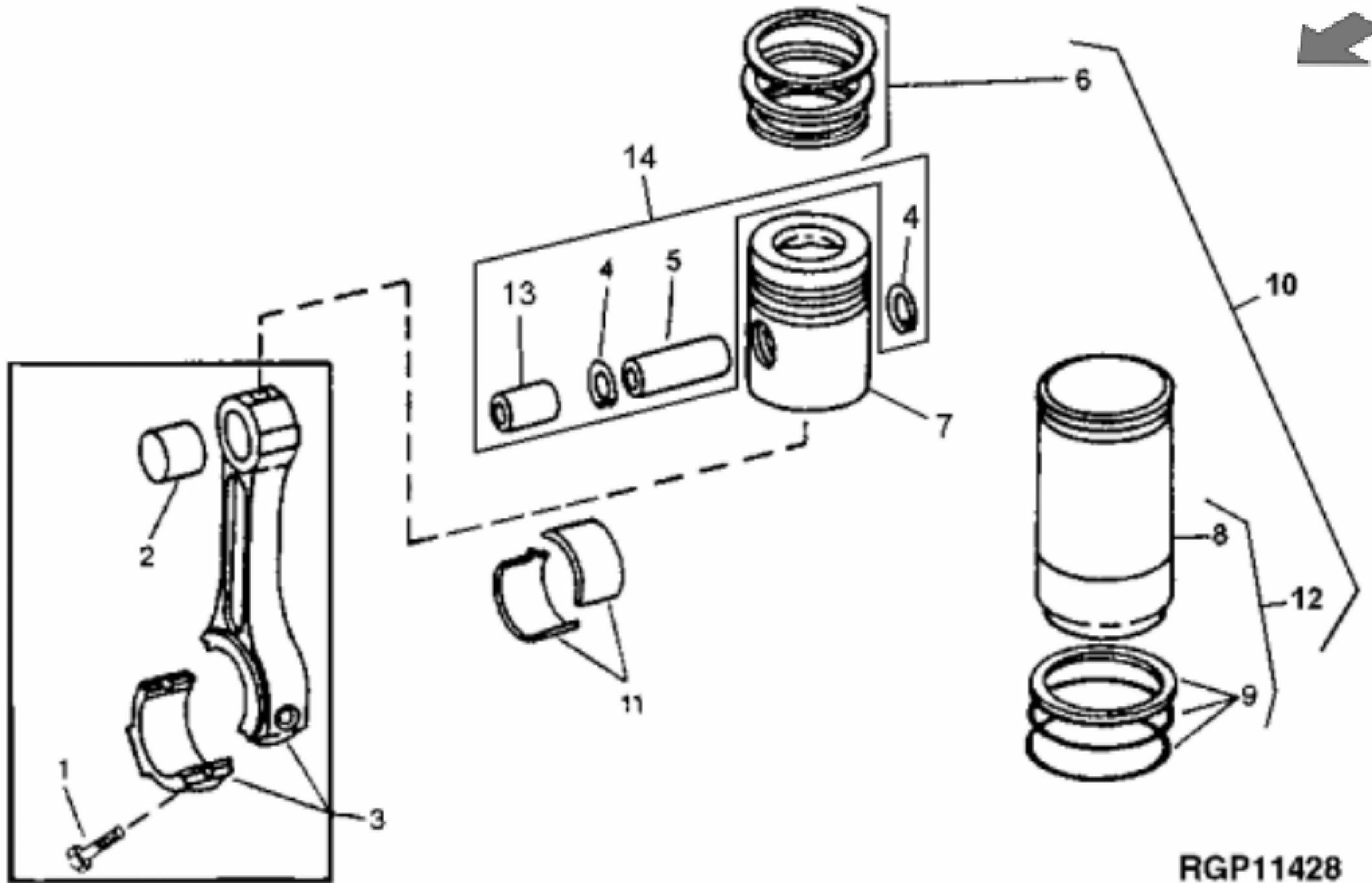
T67048

KEY	PART NO.	PART NAME	QTY	REMARKS
1	R122226	STUD	2	(SUB FOR R122226)
2	24M7106	WASHER	2	0.394" X 0.709" X 0.098"
3	14H812	NUT	2	3/8"
4	19H3693	SCREW	5	3/8" X 1-1/4"
5	T20273	GASKET	1	
6	T20272	COVER	1	
7	R124277	CAP SCREW	3	(SUB FOR R122618, THIS APPLICATION) (USE WITH T23260 OR (2) R126041)
7	19H1648	CAP SCREW	1	3/8" X 3/4"
8	T27657	FITTING PLUG	1	
9	A4827R	WASHER	1	
10	19H3408	SCREW	5	3/8" X 1-3/4"
10	19H3733	SCREW	2	3/8" X 2-1/2"
11	AR58196	COVER	1	WITH INSERTS, (MARKED R52880) (ALSO ORDER T20272, T20273, (3) 19H2284, 19H1726, (4) 24M7106 AND 15H275)
12	19H1819	CAP SCREW	1	3/8" X 2-1/8"
12	19H1648	CAP SCREW	1	3/8" X 3/4"
13	T23260	COVER	1	
14	R97352	GASKET	1	(SUB FOR T20336)
15	T20155	GASKET	1	
16	15H275	PIPE PLUG	1	1/4", HEX. CTSK.
17	12H304	LOCK WASHER	2	3/8"
18	R78366	GASKET	1	
19	R126041	COVER	1	(SUB FOR T20362)



TP43990

KEY	PART NO.	PART NAME	QTY	Engine Serial No.	REMARKS
1	R122226	STUD	2		(SUB FOR R122226)
2	N10215	LOCK NUT	2		3/8", (SUB FOR 14H812, THIS APPLICATION)
3	24M7106	WASHER	AR		10 X 18 X 2.500 MM
4	19H3408	SCREW	4		3/8" X 1-3/4"
4	19H3693	SCREW	5		3/8" X 1-1/4"
4	19H3691	SCREW	1		3/8" X 1-7/8"
5	R125066	GASKET	1		(SUB FOR R78366 OR R97773)
6	R126041	COVER	1		(SUB FOR T20362)
7	R124277	CAP SCREW	2		(SUB FOR R122618, THIS APPLICATION)
8	19H3733	SCREW	2		3/8" X 2-1/2"
9A	RE39252	COVER	1	____-426683	WITH INSERTS, (SUB FOR RE27895) (ALSO ORDER (3) 28H2497)
9B	RE56443	COVER	1	426684-____	
10	R126513	GASKET	1		(SUB FOR R121314 OR R119269) (SUB FOR T20155 OR R97454, THIS APPLICATION)
11	A4827R	WASHER	1		
12	T27657	FITTING PLUG	1		
13	12H304	LOCK WASHER	AR		3/8"
14	RE44574	SEAL	1		
15	19H1819	CAP SCREW	1	426684-____	3/8" X 2-1/8"
16	R97352	GASKET	1	____-426683	(SUB FOR T20336)
17	T23260	COVER	1	____-426683	
18	12H304	LOCK WASHER	1	____-426683	3/8"
19	19H2284	CAP SCREW	1	____-426683	3/8" X 7/8"



RGP11428

Thank you so much for reading.
Please click the “Buy Now!”
button below to download the
complete manual.



After you pay.

You can download the most
perfect and complete manual in
the world immediately.

Our support email:

ebooklibonline@outlook.com