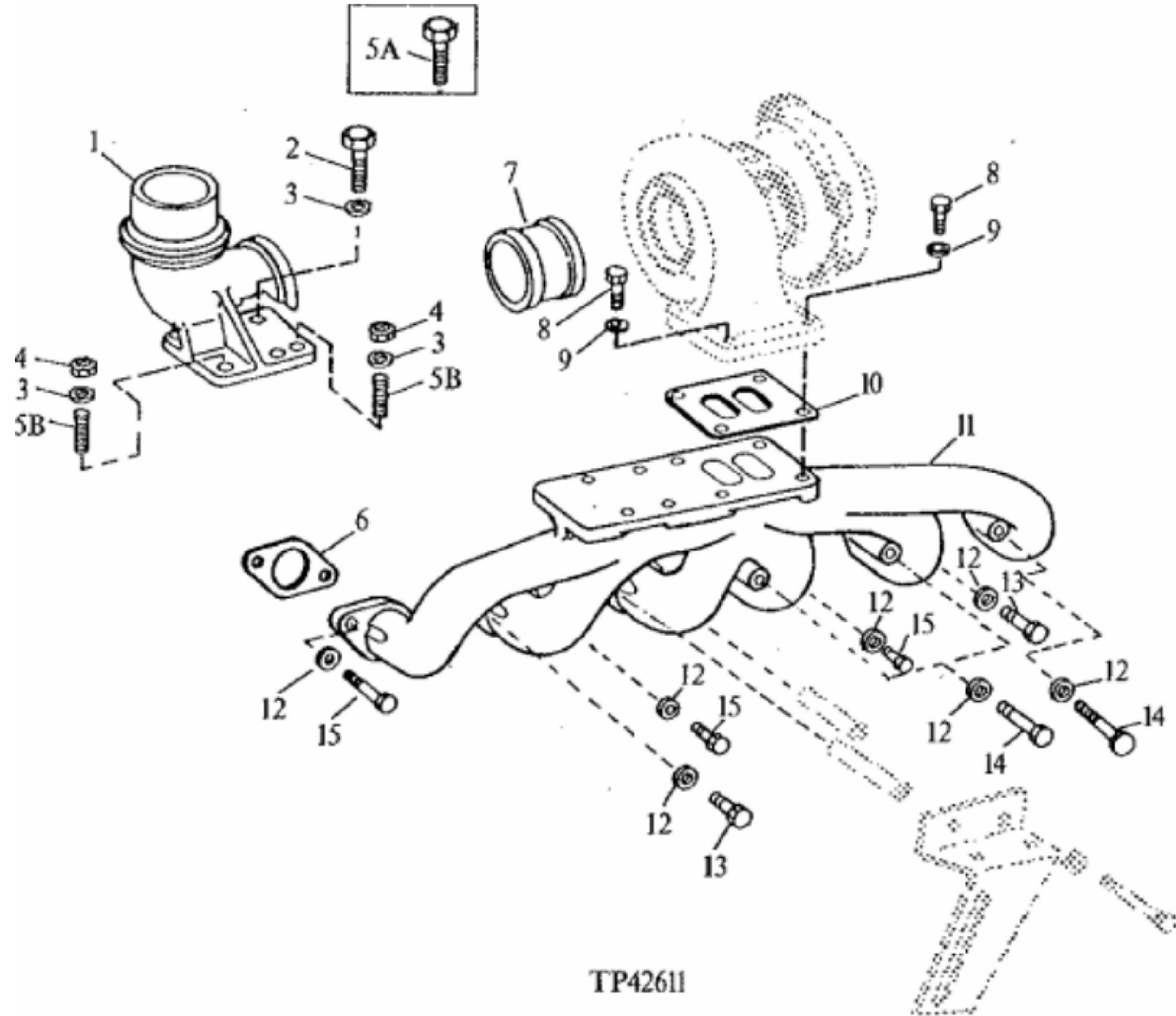


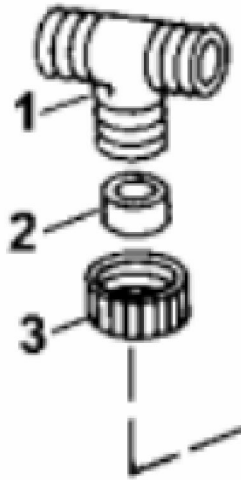
John Deere > Construction And Forestry >CRAWLER LOADER >755B - CRAWLER LOADER >755B Crawler Loader >4 ENGINE 4 >CYLINDER HEAD AND VALVES 0409 >0409-4 - CYLINDER HEAD, HEAD GASKET AND VALVES (ENGINE SERIAL NO. 311320-) [01111]

KEY	PART NO.	PART NAME	QTY	REMARKS
1	R85363	CAP SCREW	26	
2	R114157	ENGINE CYLINDER HEAD GASKET	1	(SUB FOR R92426)
3	R91889	RETAINER	24	
4	RE60005	ROTATOR	12	(SUB FOR RE31323)
5	R26125	SPRING	12	
6	R104592	PIPE PLUG	1	(SUB FOR 15H558, THIS APPLICATION)
7	A3910R	PLUG	2	
8	R98063	VALVE SEAT INSERT	6	STANDARD SIZE INTAKE VALVE
8	R98335	VALVE SEAT INSERT	6	OVERSIZE INTAKE VALVE
9	R43409	PLUG	3	
10	R85687	VALVE SEAT INSERT	6	STANDARD SIZE EXHAUST VALVE
10	R93910	VALVE SEAT INSERT	6	OVERSIZE EXHAUST VALVE
12	RE48617	CYLINDER HEAD	1	(MARKED R111950 OR R120052) (SUB FOR RE48618)
13	R90692	EXHAUST VALVE	6	STANDARD
13	R97492	EXHAUST VALVE	6	0.38 MM (.015") OVERSIZE
13	R97493	EXHAUST VALVE	6	0.76 MM (.030") OVERSIZE
14	R98062	INTAKE VALVE	6	STANDARD
14	R97490	INTAKE VALVE	6	0.38 MM (.015") OVERSIZE
14	R97491	INTAKE VALVE	6	0.76 MM (.030") OVERSIZE
15	RE31617	SEAL	12	

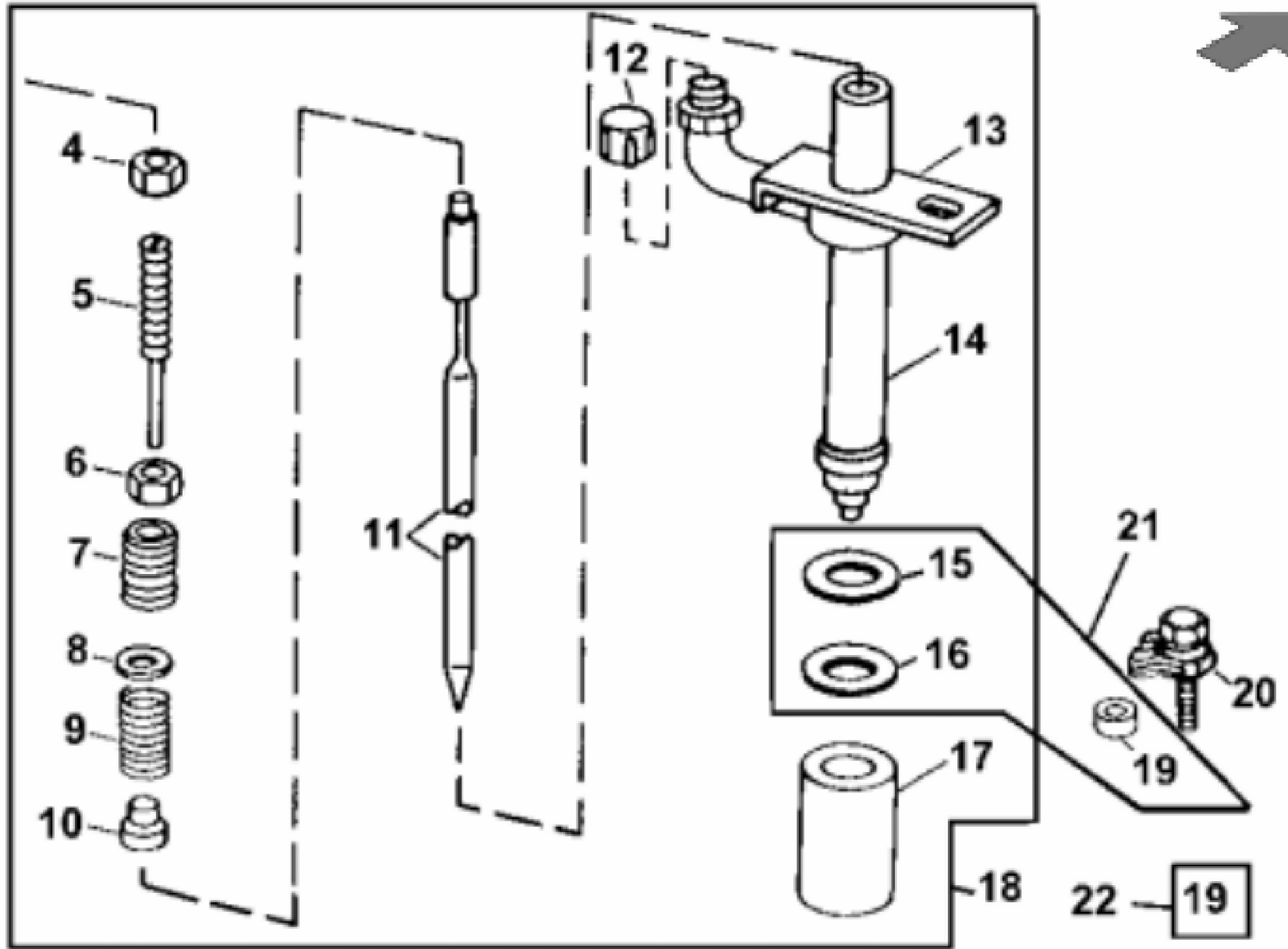


TP42611

KEY	PART NO.	PART NAME	QTY	REMARKS
1	R57270	ELBOW FITTING	1	
2	19H3751	SCREW	2	3/8" X 1-3/8"
3	24H1305	WASHER	AR	13/32" X 13/16" X 0.065"
4	N10215	LOCK NUT	2	3/8"
5A	R54500	SCREW	AR	
5B	C2175R	STUD	AR	
6	R90658	GASKET	6	(SUB FOR T20006) (ALL T20006 GASKETS MUST BE REPLACED AT THE SAME TIME. DO NOT MIX T20006 AND R90658)
7	R43724	ADAPTER FITTING	1	(SUB FOR R83034)
8	RE57724	SCREW	4	(SUB FOR R54500, THIS APPLICATION)
9	24H1305	WASHER	4	13/32" X 13/16" X 0.065"
10	R123572	GASKET	1	(SUB FOR R55509) (SUB FOR R89879, THIS APPLICATION)
11	T30818	EXHAUST MANIFOLD	1	
12	24M7106	WASHER	AR	10 X 18 X 2.500 MM
13	19H3411	SCREW	4	3/8" X 1-1/8"
14	19H3736	SCREW	3	3/8" X 3-1/2"
15	19H3411	SCREW	5	3/8" X 1-1/8"

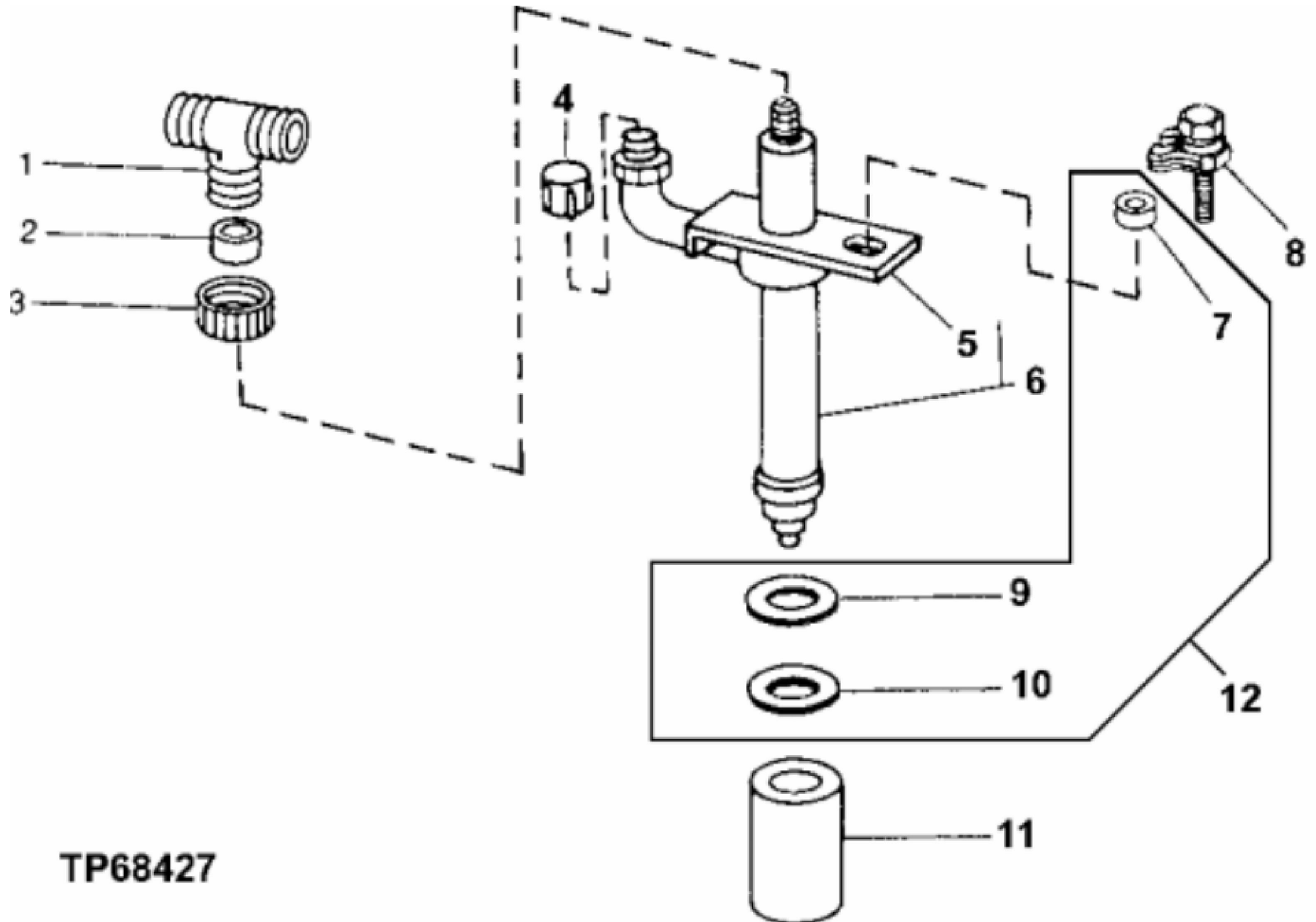


TP68661



(ENGINE SERIAL NO. -299999) [01I15]

KEY	PART NO.	PART NAME	QTY	REMARKS
1	R79606	TEE FITTING	1	
2	R79605	WASHER	1	
3	R79604	TUBE NUT	1	
4	NUT	1	(R47733 NO LONGER AVAILABLE)
5	SCREW	1	(R69443 NO LONGER AVAILABLE)
6	NUT	1	(R46675 NO LONGER AVAILABLE)
7	SCREW	1	(R62984 NO LONGER AVAILABLE)
8	SHIM	1	(R62981 NO LONGER AVAILABLE)
9	SPRING	1	(R69442 NO LONGER AVAILABLE)
10	VALVE SEAT	1	(R62982 NO LONGER AVAILABLE)
11	VALVE	1	(SUB RE37503 AND R92351)
12	CAP (HAT)	1	(T31174 NO LONGER AVAILABLE) (USE FOR SERVICING NOZZLE)
13	R67779	CLAMP	1	
14	HOUSING	1	(SUB RE37503 AND R92351)
16	R48000	SEAL	1	
17	T24472	CAP	1	
18	AR90024	INJECTION NOZZLE	6	(ROOSA-MASTER NO. 22264) (SUB RE37503 AND R92351)
18	SE500825	INJECTION NOZZLE REMAN	1	(REMANUFACTURED) (INCLUDES 6 NOZZLES)
19	R60745	SPACER	1	
20	R34760	CLAMP	1	WITH SCREW AND WASHER
21	RE13887	O-RING KIT	1	
22	RE32011	O-RING KIT	1	



TP68427

Thank you so much for reading.
Please click the “Buy Now!”
button below to download the
complete manual.



After you pay.

You can download the most
perfect and complete manual in
the world immediately.

Our support email:

ebooklibonline@outlook.com