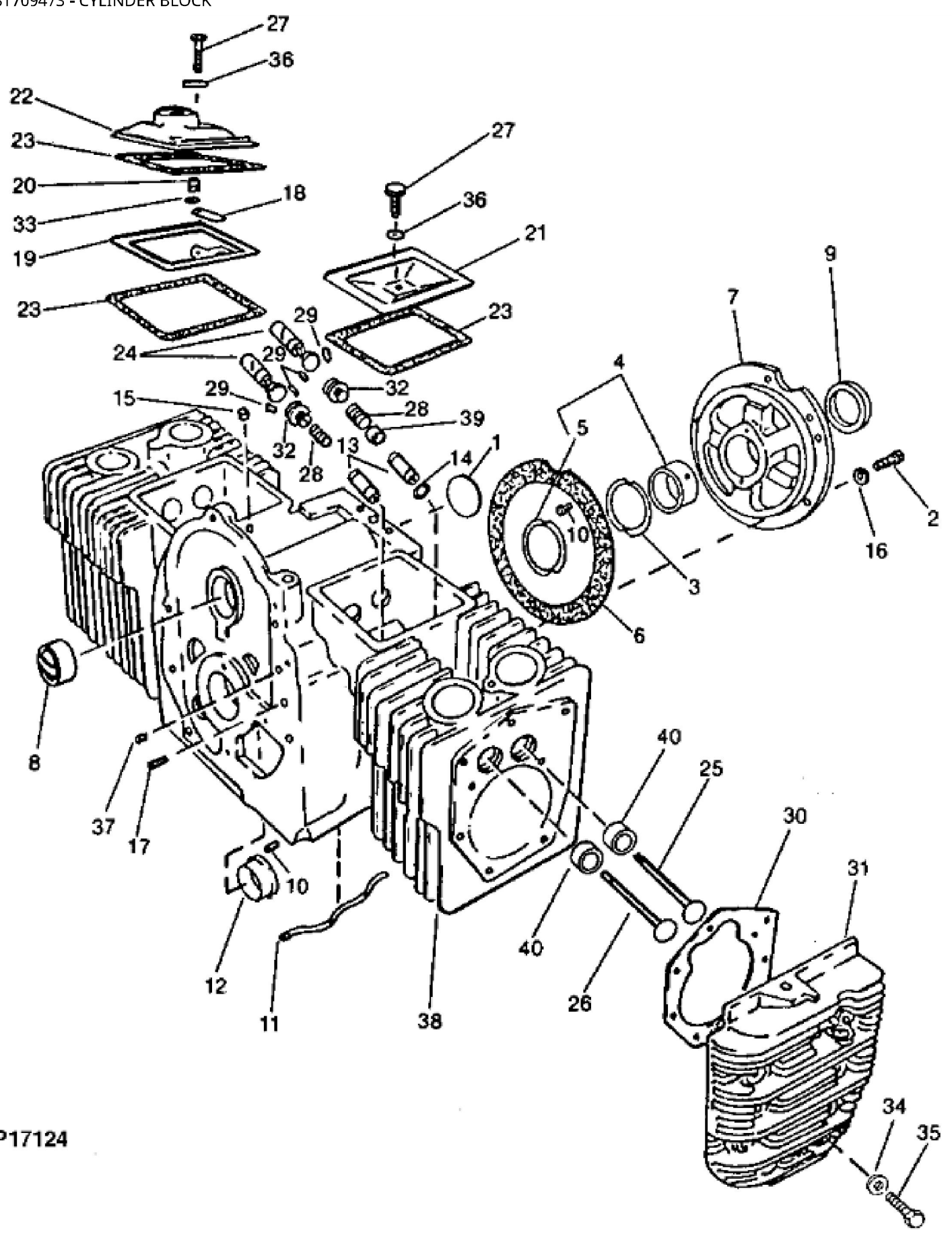


7125

KEY	PART NO.	PART NAME	QTY	REMARKS
1	HE104-0170	SCREW	1	7/16" - 14 X 4
2	12H293	LOCK WASHER	1	7/16"
3	24H1329	WASHER	1	15/32" X 1-1/4" X 1/4"
4	HE134-3847	VENTURI	1	(SUB FOR HE134-4251)
5	HE134-4641	FLYWHEEL	1	NLA (SUB FOR HE134-3938) (INCLUDES RING GEAR)
6	U11030	SNAP RING	1	(SUB FOR HE518-0014)
7	HE104-0043	WASHER	1	
8	HE104-0032	GEAR	1	
9	SHAFT KEY	1	(MAKE FROM H64376) (SUB FOR M84986) PTO CLUTCH
10	HE104-1700	CRANKSHAFT	1	(INCLUDES 26H70) (SUB FOR HE104-1442)
11	26H70	SHAFT KEY	1	1/8" X 1/2"
12	26H11	SHAFT KEY	1	3/16" X 5/8", (SUB FOR HE515-0227) FLYWHEEL
13	19H1227	CAP SCREW	5	1/4" X 1/2"
14	HE104-1694	SPACER	1	(USED ON BLOCK MARKED 110-3421-01)



MP17124

KEY	PART NO.	PART NAME	QTY	REMARKS
1	HE517-0048	PLUG	1	CAMSHAFT EXPANSION
2	19H1732	CAP SCREW	5	3/8" X 1-1/4", (2 MUFFLER) (5 PLATE)
3	HE104-0776	SHIM	AR	.005 CRANKSHAFT
4	HE101-0804	BEARING KIT	1	STD (SUB FOR HE101-0450) (REAR)
4	HE10241	BEARING	1	.002" UNDERSIZE, (REAR)
4	HE10242	BEARING	1	.010" UNDERSIZE, (REAR)
4	HE10243	BEARING	1	.020" UNDERSIZE, (REAR) NLA
4	HE10244	BEARING	1	.030" UNDERSIZE, (REAR)
5	HE104-0575	THRUST WASHER	2	
6	HE101-0809	GASKET	1	BEARING PLATE (SUB FOR HE101-0415, HE101-0773 OR HE101-0782)
7	HE101-0439	PLATE	1	REAR BEARING, NLA
8	HE101-0405	BEARING	2	CAMSHAFT (SERVICE BEARING NOT AS WIDE AS ORIGINAL)
9	HE509-0041	SEAL	1	OIL SEAL (CRANKSHAFT)
10	HE516-0072	PIN FASTENER	4	MAIN BEARING, NLA
11	HE120-0735	TUBE	1	OIL
12	HE101-0432	BEARING	1	STD (FRONT)
12	HE10245	BEARING	1	.002" UNDERSIZE, (FRONT)
12	HE10246	BEARING	1	.010" UNDERSIZE, (FRONT)
12	HE11547	BEARING KIT	1	.020" UNDERSIZE, (FRONT) NLA
12	HE11546	BEARING KIT	1	.030" UNDERSIZE, (FRONT) NLA
13	HE110-3161	GUIDE	2	(ALSO ORDER HE110-3136) INTAKE VALVE
13	HE110-1935	GUIDE	2	EXHAUST VALVE
14	HE110-3136	GASKET	2	(A) (SUB FOR HE110-0068) INTAKE VALVE GUIDE
15	HE517-0120	PLUG	1	NLA
16	12H304	LOCK WASHER	5	3/8"
17	HE516-0141	SPRING PIN	2	NLA
18	HE123-1175	TUBE	1	
19	AM148495	DEFLECTOR	1	SUB FOR HE123-1173
20	HE123-1174	SPRING	1	
21	HE110-1879	VALVE COVER	1	RH
22	HE110-2274	VALVE COVER	1	LH
23	HE110-1921	GASKET	3	
24	HE115-0006	TAPPET	4	(STD)
24	AM39508	TAPPET	4	.002" OVERSIZE

KEY	PART NO.	PART NAME	QTY	REMARKS
24	HE10344	TAPPET	4	.005" OVERSIZE, (NO LONGER AVAILABLE)
25	PT7771	VALVE	2	INTAKE (NO LONGER AVAILABLE) (SUB FOR HE110-2368)
26	HE110-1955	EXHAUST VALVE	2	
27	19H2102	CAP SCREW	2	1/4" X 1-3/4"
28	SPRING	4	(A)
29	HE110-0639	LOCK	8	NLA; (A)
30	MIU10622	ENGINE CYLINDER HEAD GASKET	2	(REPLACES HE110-3181)
31	HE110-3509	CYLINDER HEAD	1	RH (SUB FOR HE110-3214)
31	HE110-3508	CYLINDER HEAD	1	LH (SUB FOR HE110-3213)
32	HE110-0904	ROTATOR	4	NLA; (A)
33	24H1287	WASHER	1	9/32" X 5/8" X 0.065"
34	HE526-0122	WASHER	18	
35	HE800-0540	CAP SCREW	8	
35	19H3131	CAP SCREW	10	5/16" X 2", (SUB FOR HE800-0541)
36	HE526-0063	WASHER	2	
37	HE517-0067	PLUG	1	NLA
38	CYLINDER BLOCK	1	(ORDER AM118175 SHORT BLOCK) (SUB FOR AM105729 OR AM108661)
39	HE110-3604	SEAL	2	VALVE GUIDE (SUB FOR PT7928)
40	HE110-1824	VALVE SEAT INSERT	2	STD. (EXHAUST)
40	HE110-0197	VALVE SEAT INSERT	2	STD. (INTAKE)
..	AM118301	SPRING KIT	1	NLA; (INCLUDES PARTS MARKED (A))

Thank you so much for reading.
Please click the “Buy Now!”
button below to download the
complete manual.



After you pay.

You can download the most
perfect and complete manual in
the world immediately.

Our support email:

ebooklibonline@outlook.com